



Reiterkaserne, Stuttgart

GEZE TS 3000 V / System TS 5000

Overhead door closer with guide rail



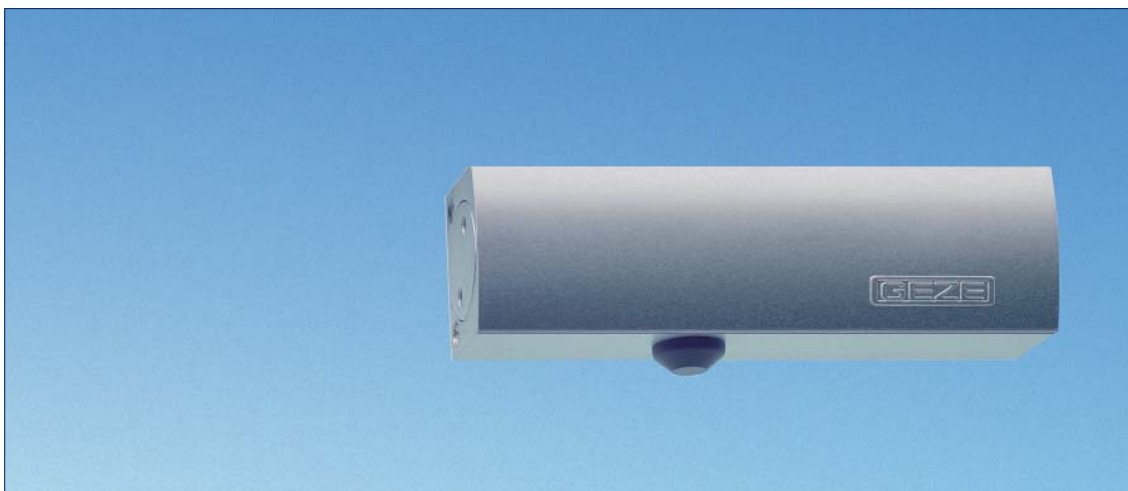
GEZE door closer – Clear lines



GEZE TS 5000

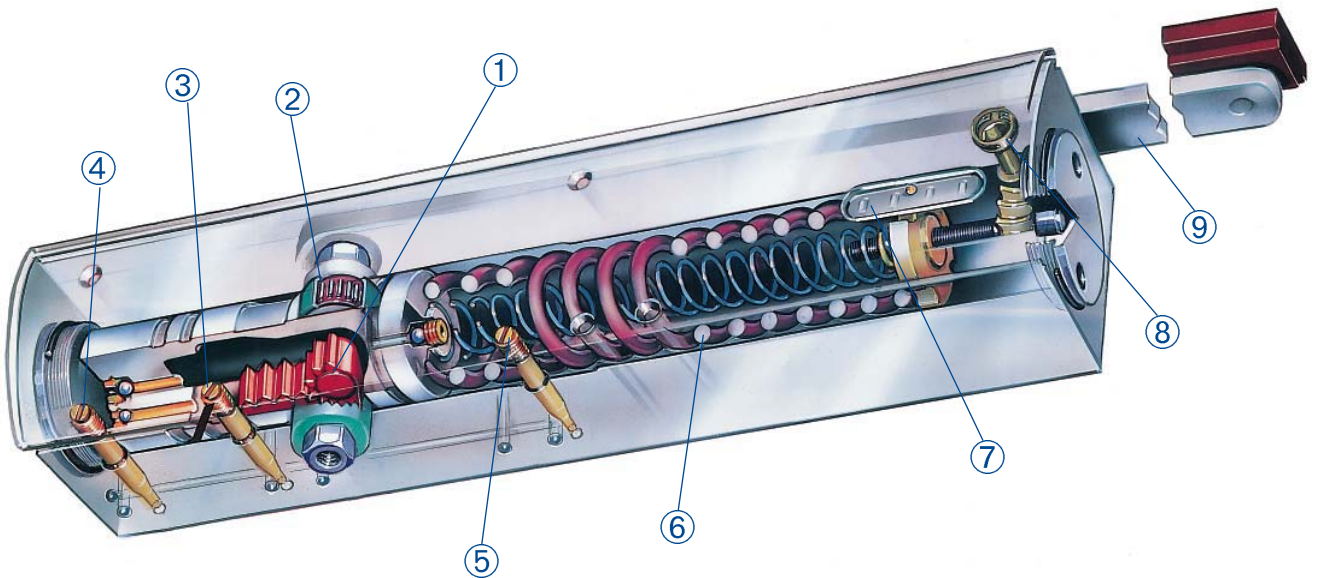


GEZE TS 3000 V



GEZE TS 1500

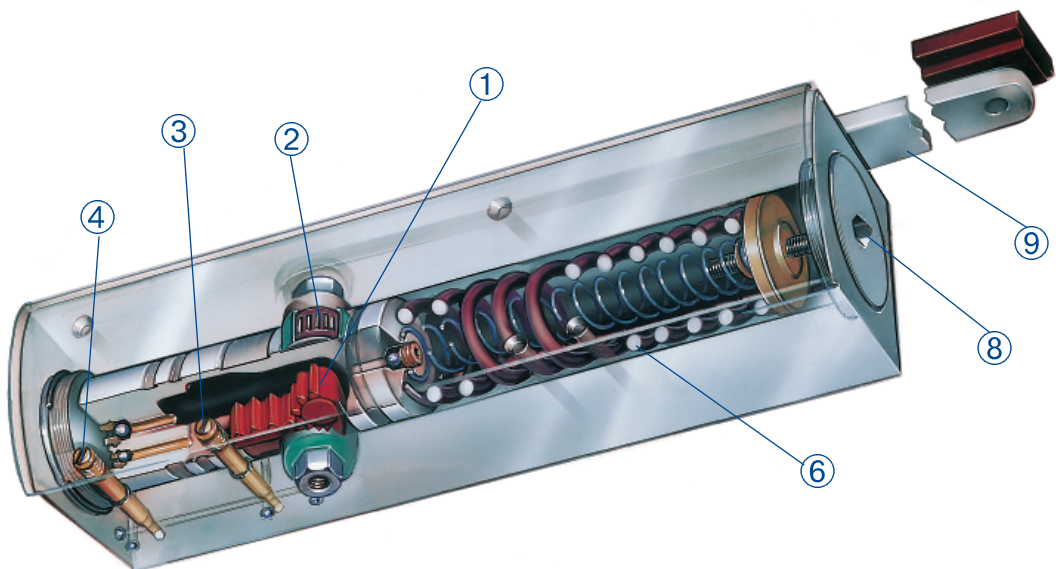
Technology – GEZE Overhead door closer TS 5000



Legend:

- ① Rack and pinion gear with integrated transmission
- ② Needle bearing
- ③ Closing speed adjuster
- ④ Latching action adjuster
- ⑤ Back check adjuster
- ⑥ Springs
- ⑦ Closing force indicator
- ⑧ Closing force adjuster
- ⑨ Lever

Technology – GEZE Overhead door closer TS 3000 V



Page **Contents**

2	GEZE door closer – Clear lines
3	Technology – GEZE Overhead door closer TS 5000 Technology – GEZE Overhead door closer TS 3000 V
4-5	Contents
6-7	Overview
8-86	see page 5
98	Cover caps for door closer
99	GEZE System TS 5000 – Applications
100	GEZE System TS 5000 – Installation examples
101	Information about products and functions GEZE Overhead door closer with guide rail
102	Product information for door closers
103	GEZE door closer – References



DOOR TECHNOLOGY



GLASS SYSTEMS



AUTOMATIC DOOR SYSTEMS



RWA AND WINDOW TECHNOLOGY



SAFETY TECHNOLOGY

Page	Contents	
		Overhead rack and pinion door closer, single-leaf
8-14	F	TS 3000 V Door closer EN 1154 A, closing force size 1-4
15-20	F	TS 5000 Door closer EN 1154 A, closing force size 2-6
21-25	F	TS 5000 L Mounting on opposite hinge side or transom mounting on hinge side
28-32	F	TS 5000 E Elektromechanical hold-open
33-36	F	TS 5000 L-E Elektromechanical hold-open, mounting on opposite hinge side
37-42	F	TS 5000 R Elektromechanical hold-open and smoke switch control unit
43-47	F	TS 5000 L-R Elektromechanical hold-open and smoke switch control unit, mounting on opposite hinge side
26-27		GEZE T-Stop guide rail
		Overhead rack and pinion door closer, single-leaf, with freeswing assembly rod
48-51	F	TS 5000 EFS Guide rail with freeswing function and electro-hydraulic hold-open
52-55	F	TS 5000 RFS Guide rail with freeswing function, electro-hydraulic hold-open and smoke switch control unit
		Overhead rack and pinion door closer, double-leaf
56-60	F	TS 5000 ISM Integrated closing sequence control
61-64	F	TS 5000 L-ISM Integrated closing sequence control, mounting on opposite hinge side
65-70	F	TS 5000 E-ISM Integrated closing sequence control and electromechanical hold-open on both sides
71-75	F	TS 5000 ISM-EFS Integrated closing sequence control and freeswing function at moving leaf
76-80	F	TS 5000 L-E-ISM Integrated closing sequence control and electromechanical hold-open on both sides, mounting on opposite hinge side
81-86	F	TS 5000 R-ISM Integrated closing sequence control, electromechanical hold-open on both sides and smoke switch control unit
87-92	F	TS 5000 R-ISM EFS Integrated closing sequence control, freeswing function at moving leaf and smoke switch control unit
93-97	F	TS 5000 L-R-ISM Integrated closing sequence control, electromechanical hold-open on both sides and smoke switch control unit, mounting on opposite hinge side
	F	Permitted for the use with smoke and fire doors

Overview

	For single-leaf doors								
	TS 3000 V	TS 5000 ¹⁾	TS 5000 L	TS 5000 E	TS 5000 L-E	TS 5000 R	TS 5000 L-R	TS 5000 EFS	TS 5000 RFS
Permitted for use with smoke and fire doors	F	F	F	F	F	F	F	F	F
Max. door leaf width (mm)	1100	1400	1400	1400	1400	1400	1400	1250	1250
Mounting options:									
Mounting on hinge side, door mount	■	■		■		■		■	■
Mounting on hinge side, frame mount	■		■					■ ⁴⁾	■ ⁴⁾
Mounting on opposite hinge side, door mount	■		■		■		■		
Mounting on opposite hinge side, frame mount	■	■							
Functions, adjustable:									
Closing force	■	■	■	■	■	■	■	■	■
Latching action	■ ²⁾	■	■	■	■	■	■		
Back check	■	■	■	■	■	■	■	■	■
Delayed closing action		■ ¹⁾							
Closing speed	■	■	■	■	■	■	■	■	■
Functions:									
Mechanical hold-open ³⁾	■	■	■						
Electromechanical hold-open				■	■	■	■		
Electro-hydraulic hold-open								■	■
Smoke switch control unit						■	■		■
Integrated mechanical closing sequence control									
Freeswing function								■	■
Page	8	15	21	28	33	37	43	48	52

¹⁾ Model TS 5000 S with delayed closing action

²⁾ Model TS 3000 VBC

³⁾ expandable, not for the use with smoke and fire doors

⁴⁾ special version

⁵⁾ system solution consisting of 2 pcs overhead door closer TS 5000 (L) respectively TS 3000 V and suitable ISM-, E-ISM respectively R-ISM guide rail for mounting on hinge and/or opposite hinge side (version BG)

⁶⁾ freeswing-function at the moving leaf,

system solution consisting of 1 pcs overhead door closer TS 5000 Hy and 1 pcs overhead door closer installed on the moving leaf

⁷⁾ Max. width of moving door leaf

For double-leaf doors							
TS 5000 ISM ⁵⁾	TS 5000 L-ISM ⁵⁾	TS 5000 E-ISM ⁵⁾	TS 5000 ISM-EFS ⁶⁾	TS 5000 L-E ISM ⁵⁾	TS 5000 R-ISM ⁵⁾	TS 5000 R-ISM EFS ⁶⁾	TS 5000 L-R ISM ⁵⁾
F	F	F	F	F	F	F	F
1400	1400	1400	1250 ⁷⁾	1400	1400	1250 ⁷⁾	1400
■		■	■		■	■	
	■			■			■
■	■	■	■	■	■	■	■
■	■	■	■	■	■	■	■
■	■	■	■	■	■	■	■
		■		■	■		■
			■		■	■	■
■	■	■	■	■	■	■	■
			■		■	■	
56	61	65	71	76	81	87	93

GEZE TS 3000 V

Overhead closer for single-leaf doors

Product features

- ▶ Door closer EN 1154 A with guide rail
Option: GEZE T-Stop guide rail with integrated opening restrictor
- ▶ Adjustable closing force size 1-4
- ▶ Hydraulic latching action and thermo-constant closing speed can be adjusted from front

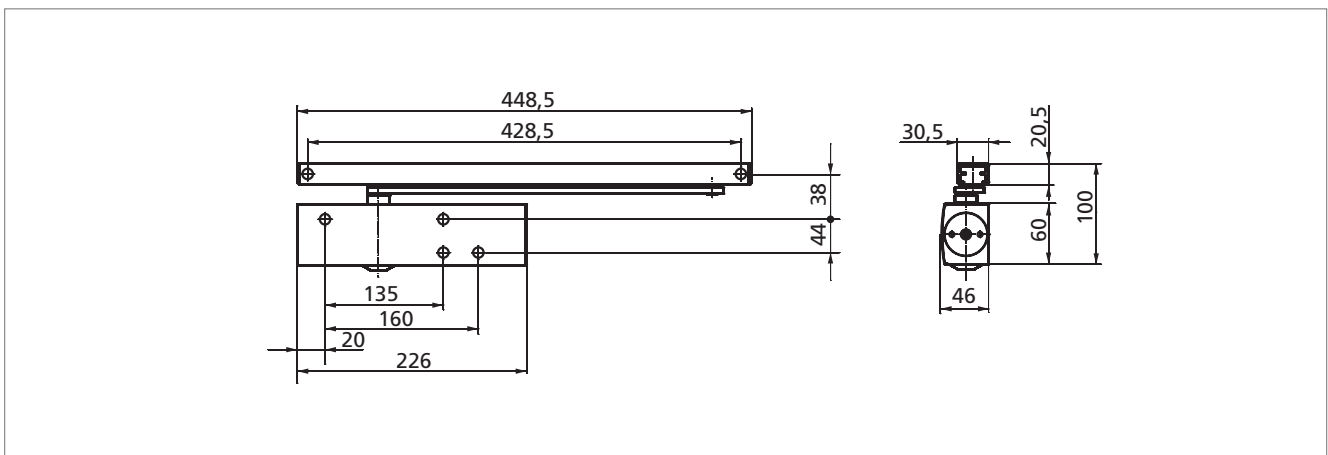


Fig. 8-1

Applications

- ▶ For single action doors, leaf width up to 1100 mm
- ▶ Can be used for right and left hand doors without adjustment
- ▶ For smoke and fire doors (if door mount, a mounting plate is required)

Specification text

GEZE Overhead door closer TS 3000 V to be mounted to fire and smoke doors, in accordance with EN 1154 A, size 1-4, with guide rail, adjustable closing force, standard fitting on hinge side / door mount, with mounting plate.

Optional:

- () with T-Stop guide rail, with integrated opening restrictor

Colour:

- () silver
- () dark bronze
- () white
- () RAL ...

Standard version/package

GEZE TS 3000 V closer complete with mounting material and fitting template (mounting plate not included); still needed: guide rail with lever

- ▶ **Version GEZE TS 3000 V with mechanical hold-open** (not permitted for use with smoke and fire doors)

Installation of the hold-open device in the appropriate guide rail allows infinitely variable door hold-open between 80° and 130°.

The retaining force for the hold-open can be adjusted. The hold-open can therefore be disabled.

- ▶ **Version GEZE TS 3000 V BC**

with adjustable back check



GEZE TS 3000 V · Klinik Donaustauf



GEZE TS 3000 V · Steigenberger Hotel de Saxe, Dresden

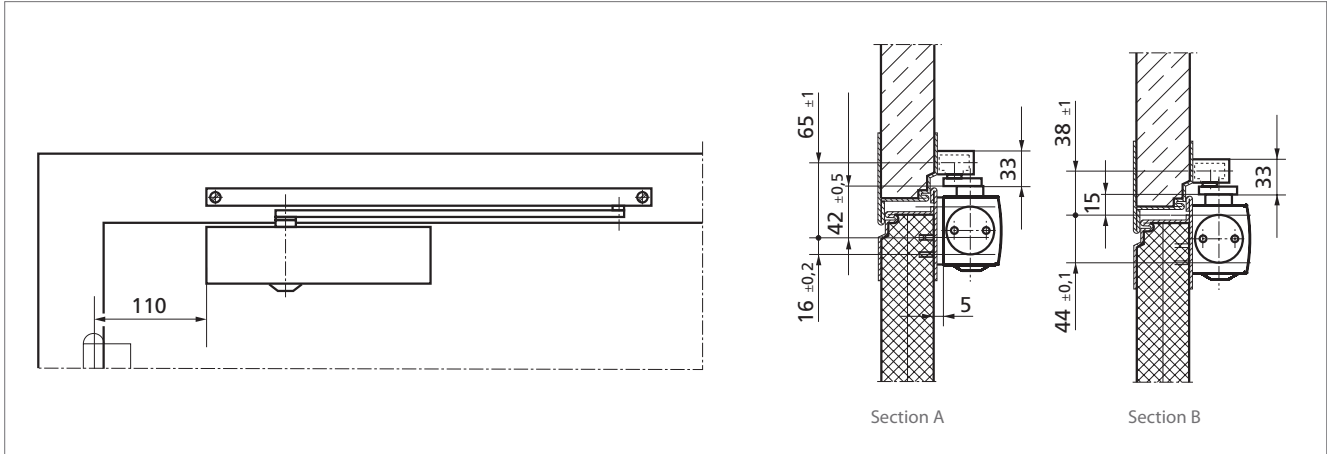


Fig. 10-1

Mounting on hinge side / door mount with standard guide rail

Example showing the mounting of GEZE TS 3000 V, see Fig. 10-1

- Section A = mounting with mounting plate
- Section B = mounting without mounting plate (not permitted for use with smoke and fire doors)

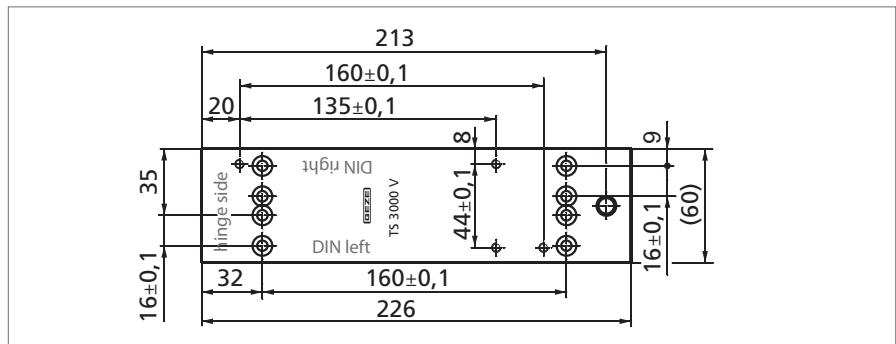


Fig. 10-2

Mounting with mounting plate

Mounting plate, 5 mm thick, for doors without direct closer mounting, see Fig. 10-2

Mounting dimensions for left hand door, see Fig. 10-3
right hand door, see Fig. 10-4

Direct mounting

(in Germany not permitted for use with smoke and fire doors)

Mounting dimensions for left hand door, see Fig. 10-5
right hand door, see Fig. 10-6

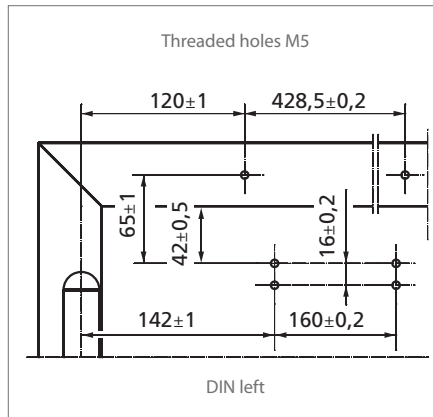


Fig. 10-3

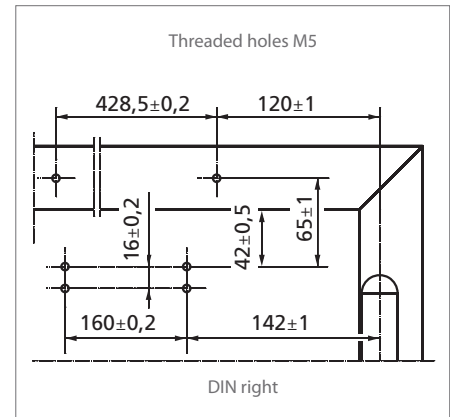


Fig. 10-4

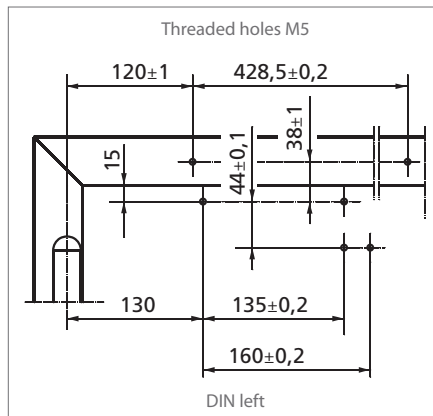


Fig. 10-5

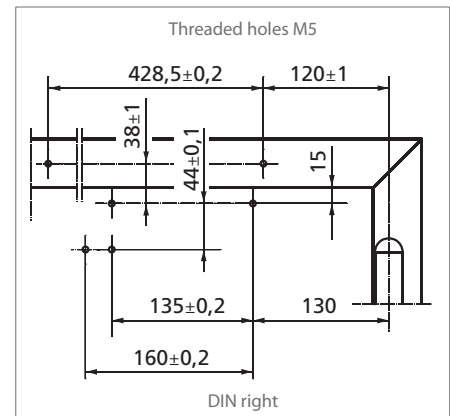


Fig. 10-6

Mounting on hinge side / frame mount with standard guide rail
 (only permitted for use with smoke and fire doors if the door is officially approved for this mounting method)

Example showing the transom mounting of GEZE TS 3000 V, see Fig. 11-1

Direct mounting
 (in Germany not permitted for use with smoke and fire doors)

Mounting dimensions for left hand door, see Fig. 11-2
 right hand door, see Fig. 11-3

Mounting with mounting plate

Mounting dimensions for left hand door, see Fig. 11-4
 right hand door, see Fig. 11-5

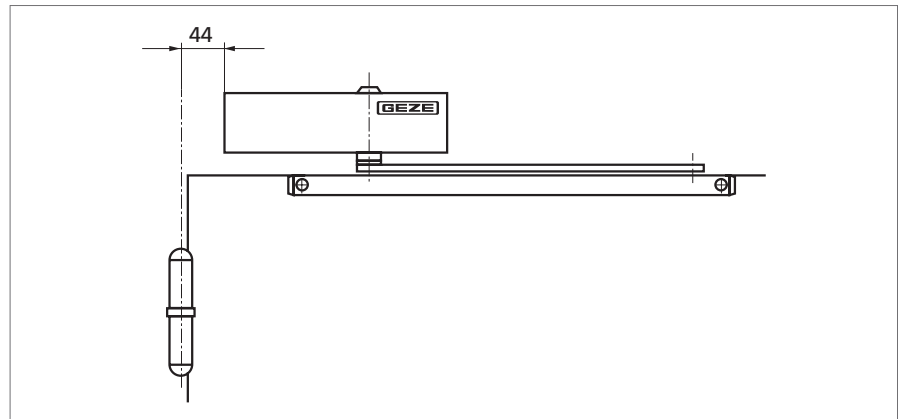


Fig. 11-1

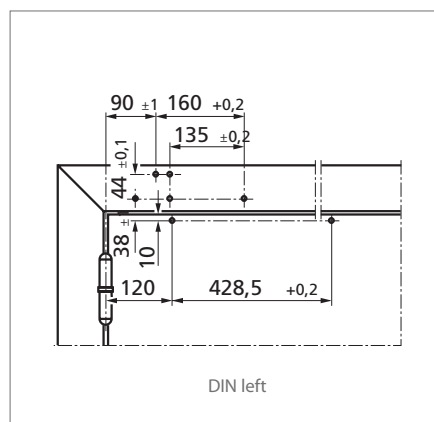


Fig. 11-2

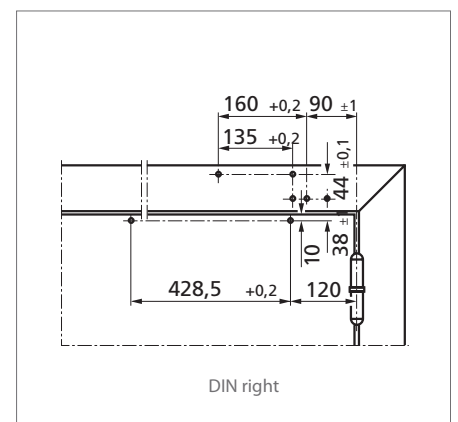


Fig. 11-3

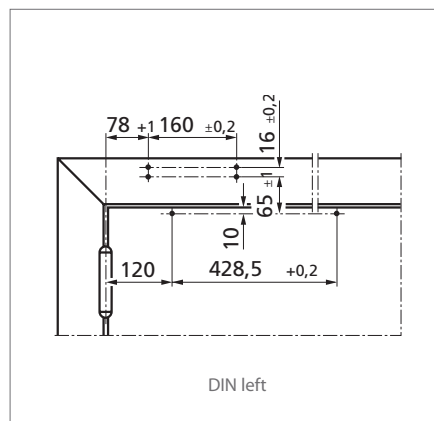


Fig. 11-4

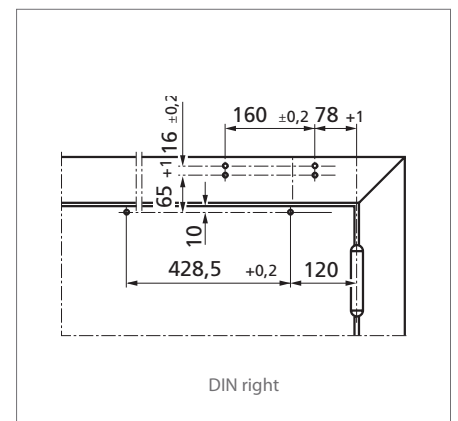


Fig. 11-5

Mounting on opposite hinge side / door mount with guide rail BG

(only permitted for use with smoke and fire doors if the door is officially approved for this mounting method)

Example showing the mounting of GEZE TS 3000 V, see Fig. 12-1

Direct mounting

(in Germany not permitted for use with smoke and fire doors)

Mounting dimensions for right hand door, see Fig. 12-2
left hand door, see Fig. 12-3

Mounting with mounting plate

Mounting dimensions for right hand door, see Fig. 12-4
left hand door, see Fig. 12-5

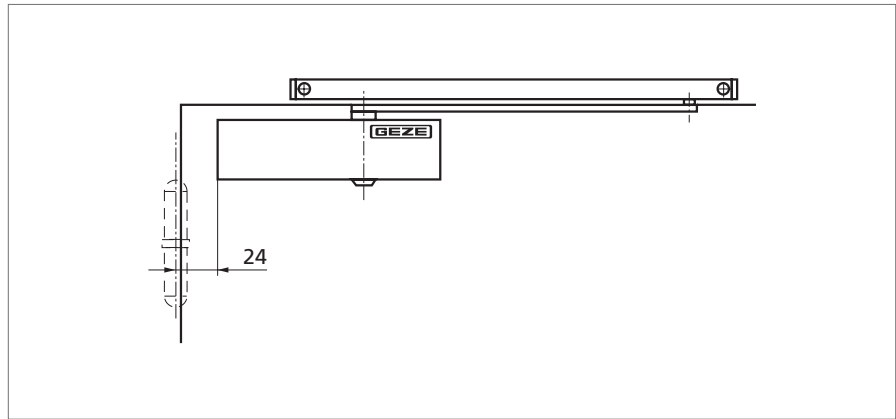
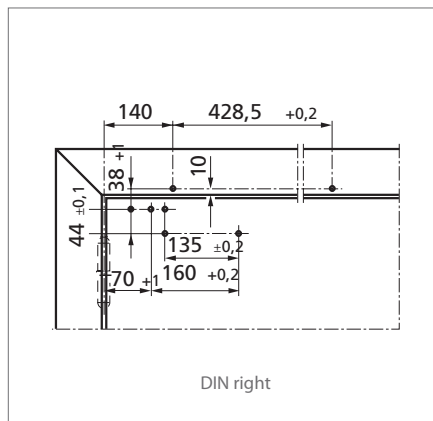
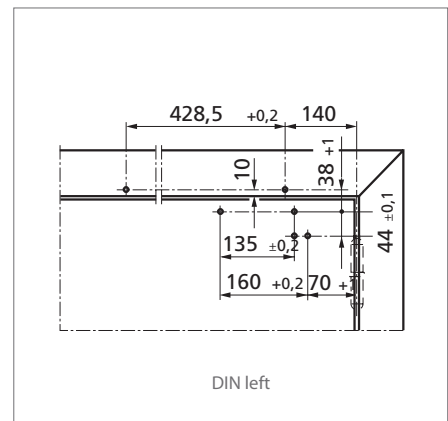


Fig. 12-1



DIN right

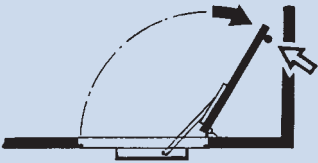
Fig. 12-2



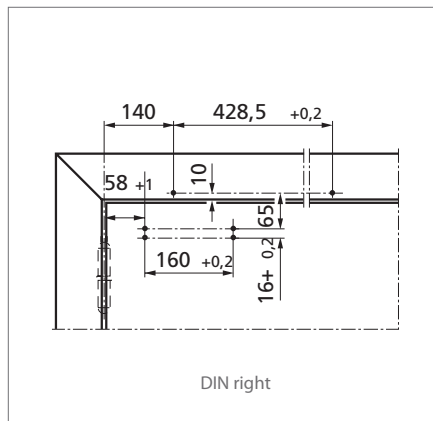
DIN left

Fig. 12-3

Attention!

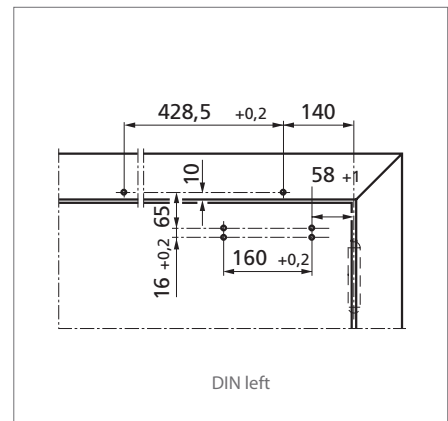


Restrict the max. door opening angle with a door stop!
With TS 3000 V the GEZE T-Stop guide rail with integrated opening restrictor can be used instead of a conventional door stop which has to be installed on the floor.



DIN right

Fig. 12-4



DIN left

Fig. 12-5

Mounting on opposite hinge side / door mount with standard guide rail
 (only permitted for use with smoke and fire doors if the door is officially approved for this mounting method)

Example showing the mounting of GEZE TS 3000 V, see Fig. 13-1

Direct mounting

(in Germany not permitted for use with smoke and fire doors)

Mounting dimensions for right hand door, see Fig. 13-2
 left hand door, see Fig. 13-3

Mounting with mounting plate

Mounting dimensions for right hand door, see Fig. 13-4
 left hand door, see Fig. 13-5

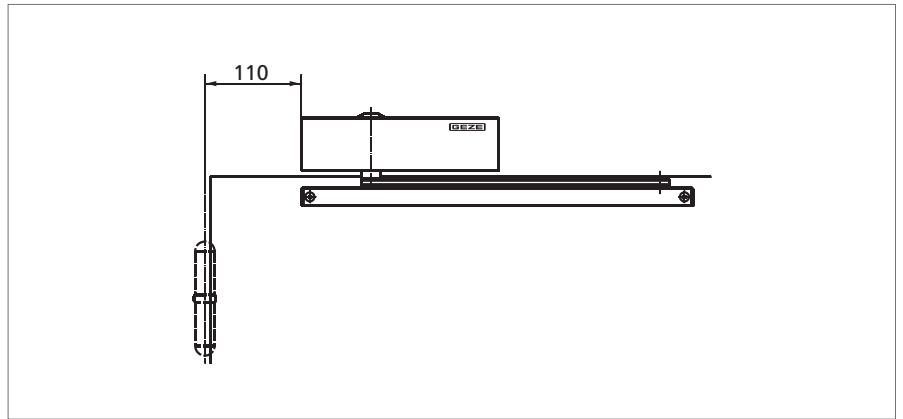


Fig. 13-1

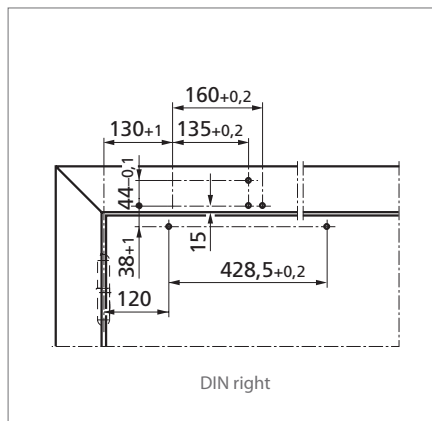


Fig. 13-2

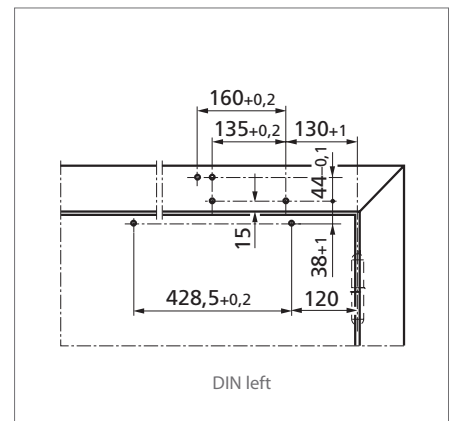


Fig. 13-3

Attention!

Restrict the max. door opening angle with a door stop!
 With TS 3000 V the GEZE T-Stop guide rail with integrated opening restrictor can be used instead of a conventional door stop which has to be installed on the floor.

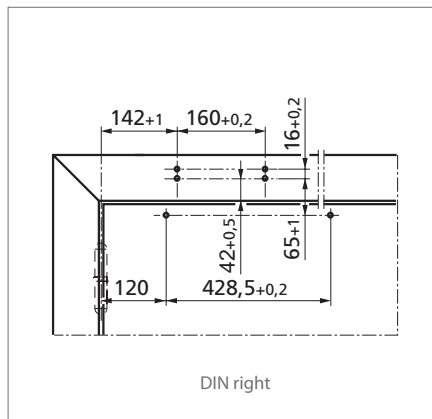


Fig. 13-4

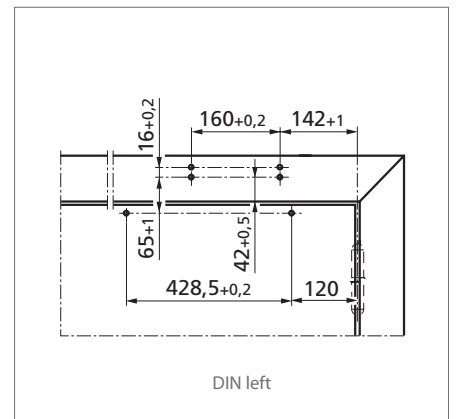


Fig. 13-5

GEZE TS 3000 V – Ordering information

Description	Finish	ID No.
GEZE TS 3000 V, size 1-4 Door closer without guide rail, without lever	silver	028348
	dark bronze	028349
	white RAL 9016	028350
	RAL colour	028351
Guide rail with lever	silver	068221
	dark bronze	068222
	white RAL 9016	015695
	brass effect	067985
	stainless steel effect ²⁾	014945
	RAL colour	000773
Guide rail with lever, height adjustment ± 2 mm	silver	115191
	RAL colour	115192
Guide rail BG with (for mounting on opposite hinge side)	silver	025655
	dark bronze	029403
	white RAL 9016	029404
	brass effect	-
	stainless steel effect ²⁾	028732
	RAL colour	025656
Guide rail with lever, height adjustment ± 2 mm (for mounting on opposite hinge side)	silver	115193
	RAL colour	115194
Mechanical hold-open ¹⁾		017924
Mechanical opening restrictor		069780
GEZE TS 3000 VBC, size 1-4 Door closer with opening restrictor without guide rail, without lever	silver	109326
	dark bronze	109327
	white RAL 9016	109328
	RAL colour	109329
Mounting material		
Mounting plate for doors without direct closer mounting	silver	011230
	dark bronze	011232
	white RAL 9016	011233
	RAL colour	011234
Clamping plate for glass doors	silver	014835
	dark bronze	014836
	white RAL 9016	014843
	RAL colour	014845
Mounting plate and counterplate for glass doors	silver	090259
	RAL colour	090260
Drilling template		053134
Accessories		
Cover caps (only suitable for mounting on door leaf)	silver	013487
	dark bronze	014849
	white RAL 9016	014855
	polished brass	072770
	stainless steel	072769
	RAL colour	014856

¹⁾ in Germany not permitted for use with smoke and fire doors

²⁾ finish stainless steel effect for dry rooms only

GEZE TS 5000

Overhead closer for single-leaf doors

Product features

- ▶ Door closer EN 1154 A with guide rail
Option: GEZE T-Stop guide rail with integrated opening restrictor
- ▶ Adjustable closing force size 2-6
- ▶ Optical size indicator
- ▶ Back check, hydraulic latching action and thermo-constant closing speed adjustable
- ▶ All functions adjustable from front

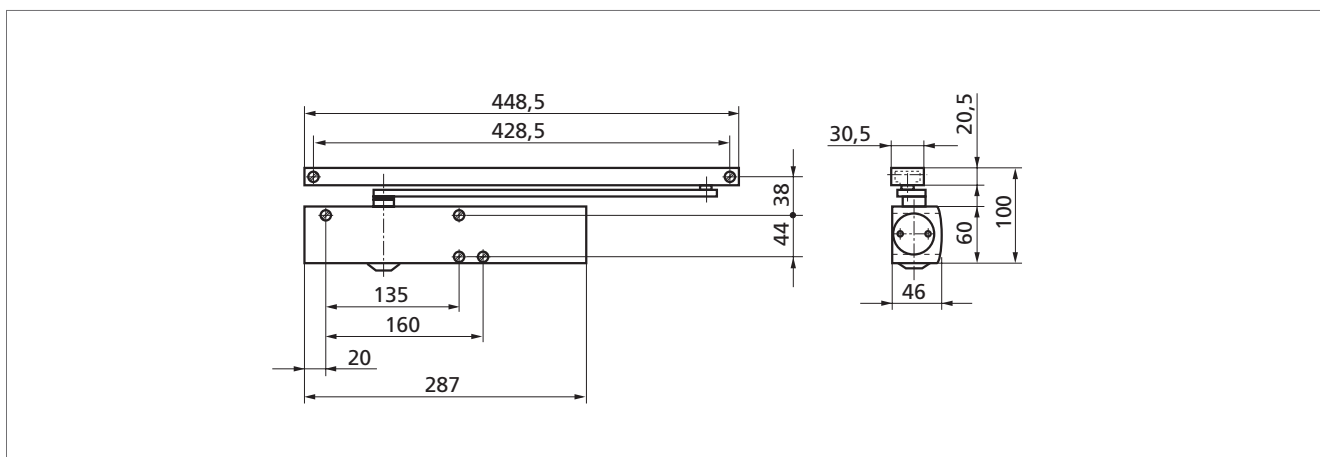


Fig. 15-1

Applications

- ▶ For single action doors, leaf width up to 1400 mm
- ▶ Can be used for right and left hand doors without adjustment
- ▶ For smoke and fire doors (if door mount, a mounting plate is usually required)

Specification text

GEZE Overhead door closer TS 5000 to be mounted to smoke and fire doors, in accordance with EN 1154 A, size 2-6, with guide rail, closing force adjustable at the front, closing speed, latching action and back check, with visual size indicator, standard fitting on door leaf / hinge side, transom mounting on opposite hinge side, with mounting plate.

Optional:

() with T-Stop guide rail, with integrated opening restrictor

Colour:

- () silver
- () dark bronze
- () white
- () RAL ...

Standard version/package

GEZE TS 5000 closer complete with mounting material and fitting template (mounting plate not included); still needed: guide rail with lever

- ▶ **Version GEZE TS 5000 with mechanical hold-open**
(in Germany not permitted for use with smoke and fire doors)

Installation of the hold-open device in the standard guide rail allows infinitely variable door hold-open between 80° and 130°.

The retaining force for the hold-open can be adjusted. The hold-open can therefore be disabled.

- ▶ **Version GEZE TS 5000 S**

with delayed closing action, adjustable from front



GEZE TS 5000 · Paul Löbe Haus, Berlin



GEZE TS 5000 · Electronic Arts, London

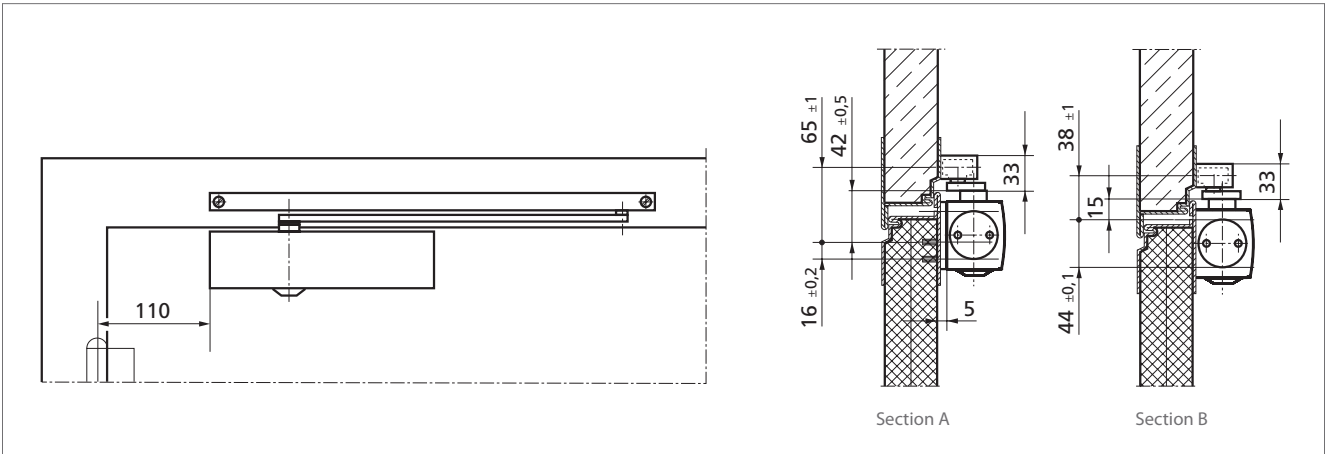


Fig. 17-1

Mounting on hinge side / door mount with standard guide rail

Example showing the mounting of GEZE TS 5000, see Fig. 17-1

Section A =

mounting with mounting plate

Section B =

mounting without mounting plate

(in Germany not permitted for use with smoke and fire doors)

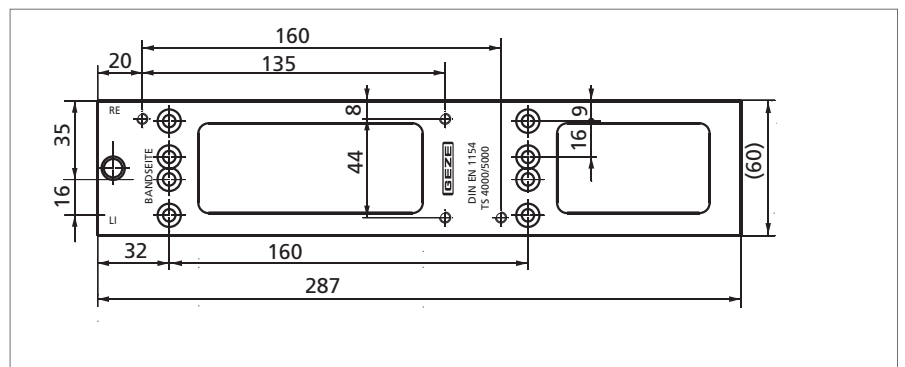


Fig. 17-2

Mounting with mounting plate

Mounting plate, 5 mm thick, for doors without direct closer mounting, see Fig. 17-2

Mounting dimensions for left hand door, see Fig. 17-3
right hand door, see Fig. 17-4

Direct mounting

(in Germany not permitted for use with smoke and fire doors)

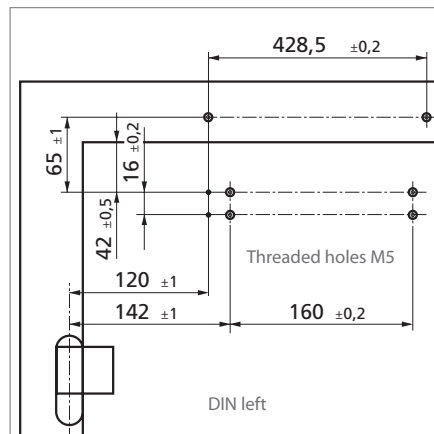


Fig. 17-3

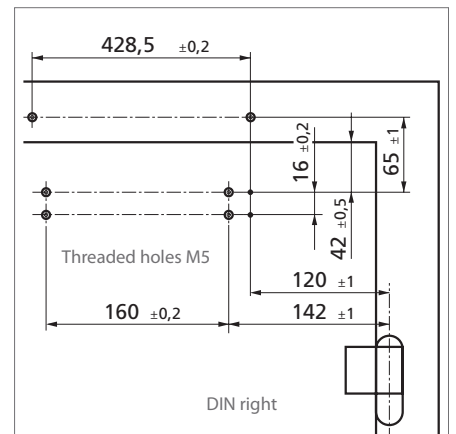


Fig. 17-4

Mounting dimensions for left hand door, see Fig. 17-5
right hand door, see Fig. 17-6

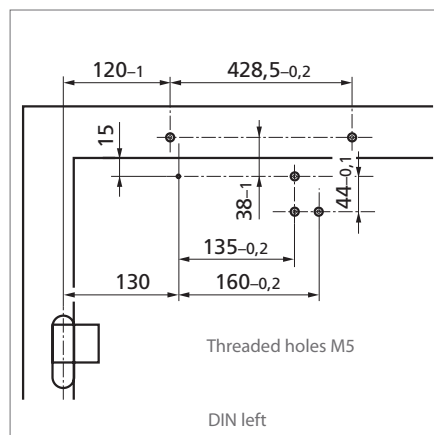


Fig. 17-5

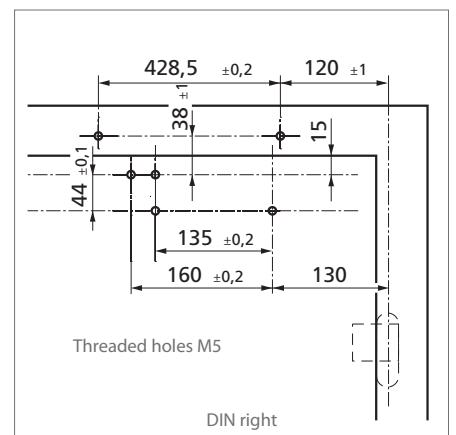


Fig. 17-6

Mounting on opposite hinge side / frame mount

(back check is not effective for this type of installation)

Example showing the mounting of GEZE TS 5000, see Fig. 18-1

Section A = mounting with mounting plate (dimensions of the mounting plate, see Fig.17-2)

Section B = mounting without mounting plate (in Germany not permitted for use with smoke and fire doors)

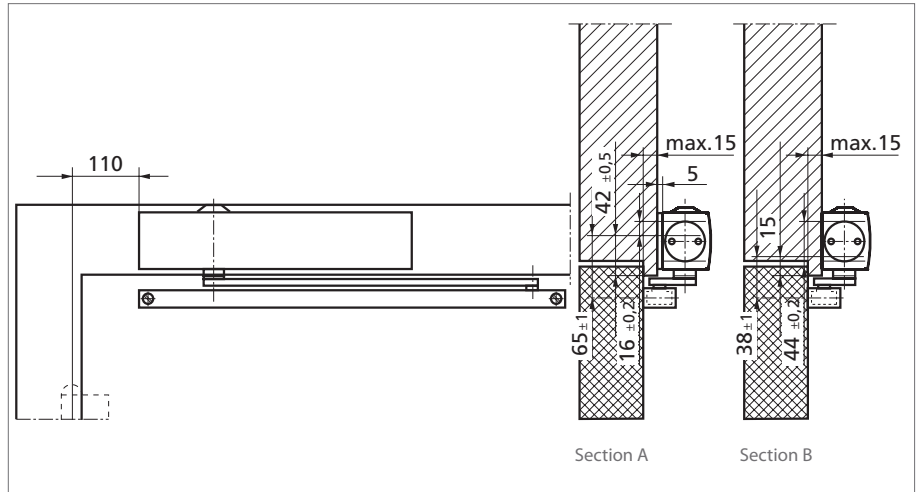


Fig. 18-1

Mounting with mounting plate

Mounting dimensions for right hand door, see Fig. 18-2
left hand door, see Fig. 18-3

Direct mounting

(in Germany not permitted for use with smoke and fire doors)

Mounting dimensions for right hand door, see Fig. 18-4
left hand door, see Fig. 18-5

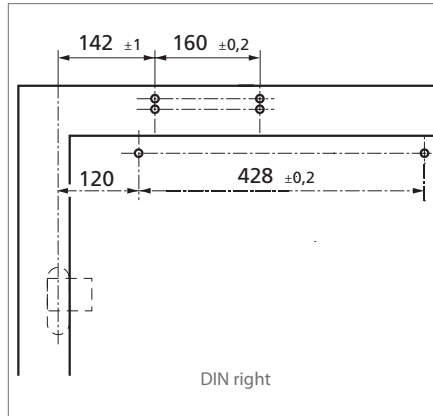


Fig. 18-2

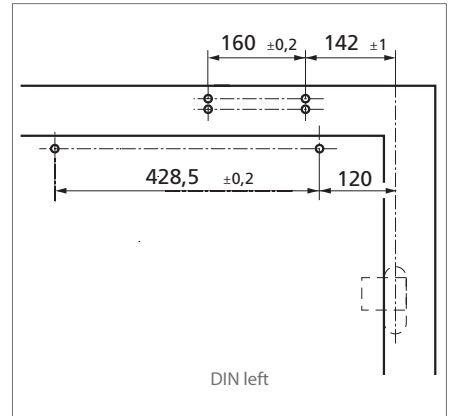
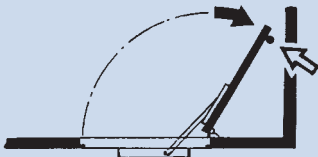


Fig. 18-3

Attention!



Restrict the max. door opening angle with a door stop!
With TS 5000 the GEZE T-Stop guide rail with integrated opening restrictor can be used instead of a conventional door stop which has to be installed on the floor.

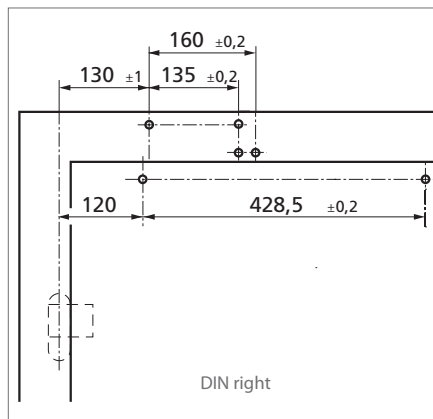


Fig. 18-4

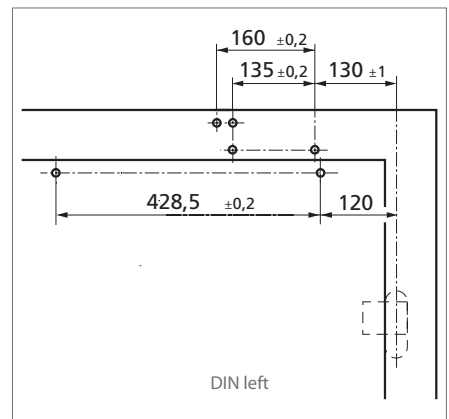


Fig. 18-5

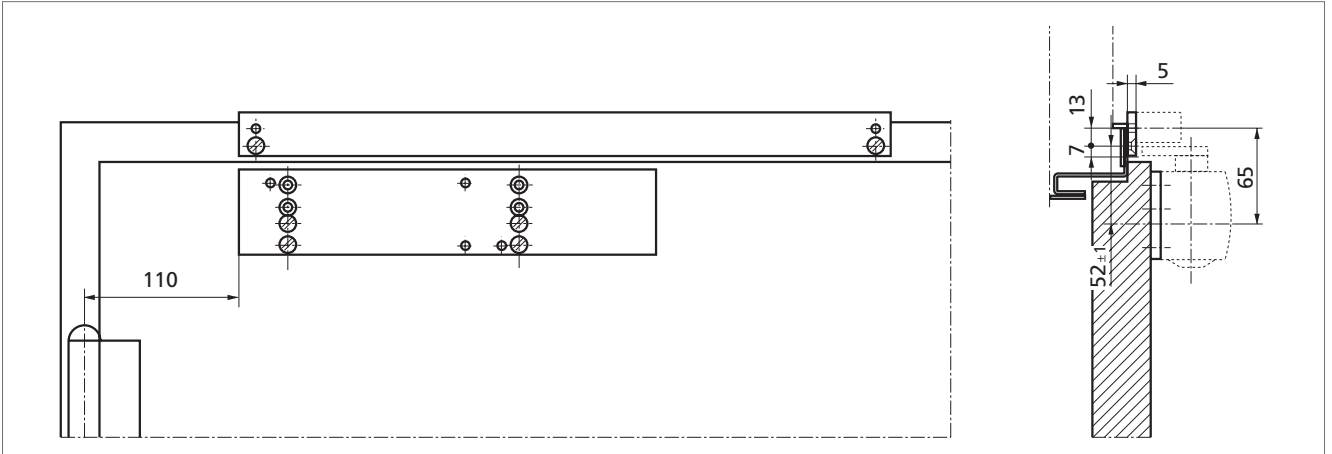


Fig. 19-1

Mounting to narrow door frames

Example showing the mounting of GEZE TS 5000, see Fig. 19-1

Mounting plate for door closer, see Fig.17-2

For mounting to narrow door frames a mounting plate for the guide rail is available, see Fig.19-2

Mounting dimensions for left hand door, see Fig. 19-3
right hand door, see Fig. 19-4

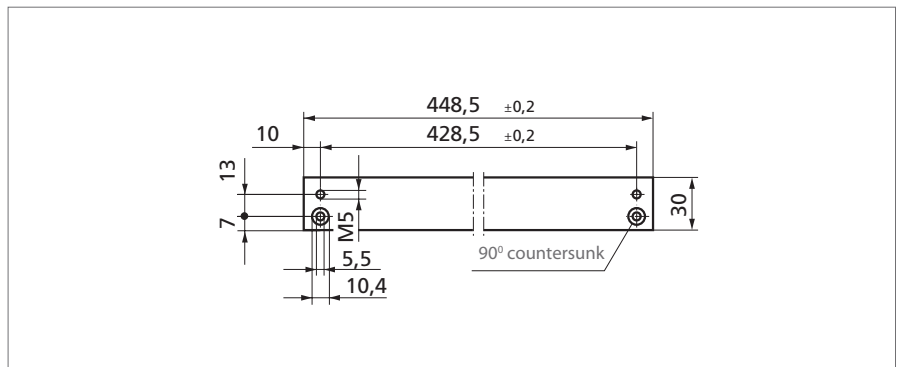


Fig. 19-2

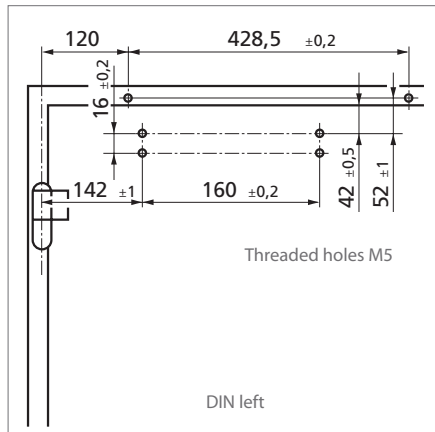


Fig. 19-3

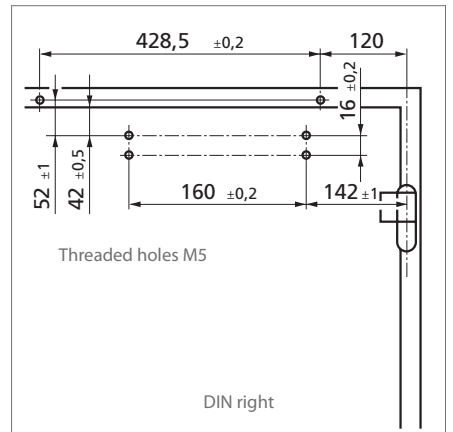


Fig. 19-4

GEZE TS 5000 – Ordering information

Description	Finish	ID No.
GEZE TS 5000, size 2-6 Door closer without guide rail, without lever	silver	027333
	dark bronze	027334
	white RAL 9016	027335
	RAL colour	027336
Guide rail with lever	silver	068221
	dark bronze	068222
	white RAL 9016	015695
	brass effect	067985
	stainless steel effect ²⁾	014945
	RAL colour	000773
Guide rail with lever, height adjustment ± 2 mm	silver	115191
	RAL colour	115192
Mechanical hold-open ¹⁾		017924
Mechanical opening restrictor		069780
GEZE TS 5000 S, size 2-6 Door closer with delayed closing action (adjustable) without guide rail, without lever	silver	027338
	dark bronze	027340
	white RAL 9016	027343
	RAL colour	027345
Mounting material		
Mounting plate for doors without direct closer mounting	silver	049185
	dark bronze	052351
	white RAL 9016	068627
	galvanised steel	057956
	RAL colour	029176
Mounting plate and counterplate for glass doors	silver	007923
	dark bronze	007924
	white RAL 9016	007925
	RAL colour	007926
Clamping plate for glass doors	silver	057126
	dark bronze	057127
	white RAL 9016	009491
	RAL colour	009494
Drilling template		053134
Mounting plate for guide rail	galvanised steel	001512
Accessories		
Cover caps (only suitable for mounting on door leaf)	silver	067724
	dark bronze	067725
	white RAL 9016	067726
	polished brass	072698
	stainless steel	072696
	RAL colour	000756

¹⁾ in Germany not permitted for the use on smoke and fire doors ²⁾ finish stainless steel effect for dry rooms only

GEZE TS 5000 L

Overhead closer for single-leaf doors

Product features

- ▶ Door closer EN 1154 A with guide rail BG (for mounting on opposite hinge side)
Option: GEZE T-Stop guide rail BG with integrated opening restrictor
- ▶ Adjustable closing force size 2-6
- ▶ Optical size indicator
- ▶ Back check, hydraulic latching action and thermo-constant closing speed adjustable
- ▶ All functions adjustable from front

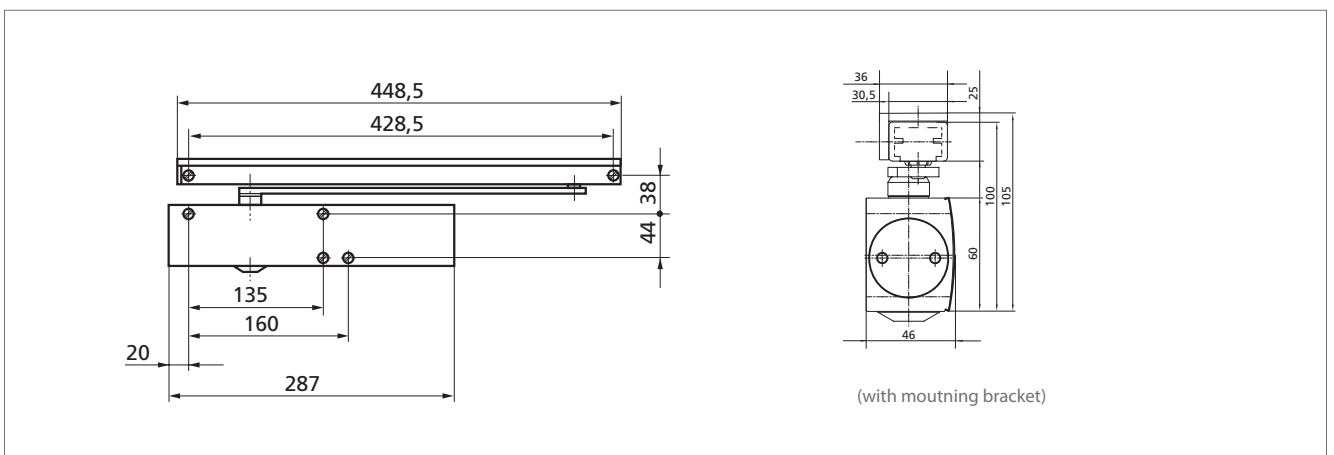


Fig. 21-1

Applications

- ▶ For single action doors, leaf width up to 1400 mm
- ▶ Can be used for right and left hand doors without adjustment
- ▶ For smoke and fire doors (if door mount, a mounting plate is usually required)

Specification text

GEZE Overhead door closer TS 5000 L to be mounted to smoke and fire doors, in accordance with EN 1154 A, size 2-6, with guide rail BG, closing force adjustable at front, closing speed and latching action, with visual size indicator, standard mounting on opposite hinge side / door mount, with mounting plate.

Optional:

with T-Stop guide rail BG, with integrated opening restrictor

Colour:

- silver
- dark bronze
- white
- RAL ...

Standard version/package

GEZE TS 5000 L closer complete with mounting material and fitting template (mounting plate not included); still needed: guide rail BG with lever

- ▶ **Version GEZE TS 5000 L with mechanical hold-open**
(in Germany not permitted for use with smoke and fire doors)

Installation of the hold-open device in the standard guide rail allows infinitely variable door hold-open between 80° and 130°.

The retaining force for the hold-open can be adjusted. The hold-open can therefore be disabled.



GEZE TS 5000 L · debitel Zentrale, Stuttgart

**Mounting on opposite hinge side/
door mount with guide rail BG**

Example showing the mounting of
GEZE TS 5000 L, see Fig. 23-1

- Section A =
mounting with mounting plate and
mounting bracket
- Section B =
mounting with mounting plate,
flush door

Mounting with mounting plate

Dimensions mounting plate,
see Fig. 17-2

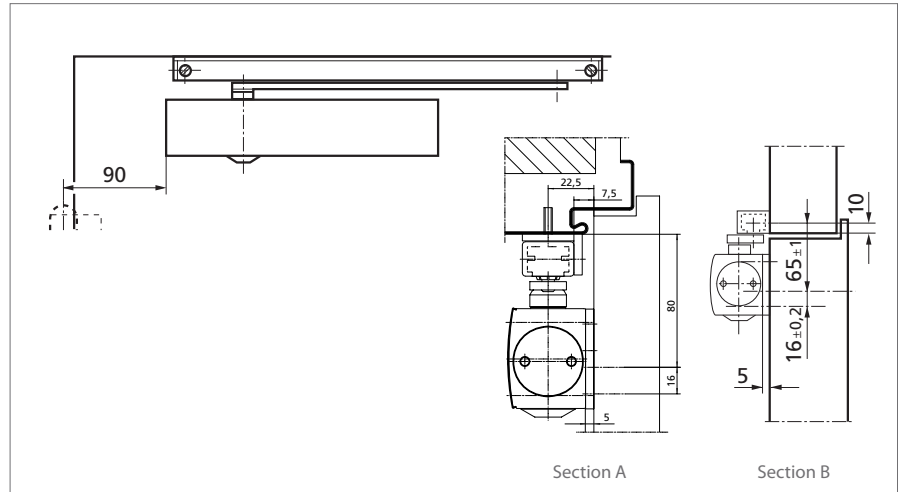


Fig. 23-1

Mounting dimensions for
left hand door, see Fig. 23-2
right hand door, see Fig. 23-3

Direct mounting

(in Germany not permitted for use with
smoke and fire doors)

Mounting dimensions for
left hand door, see Fig. 23-5
right hand door, see Fig. 23-6

Mounting bracket

for guide rail BG, see Fig. 23-6

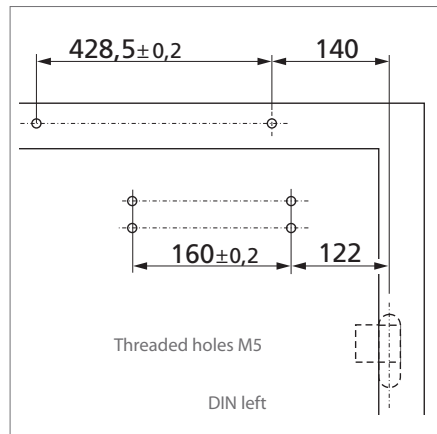


Fig. 23-2

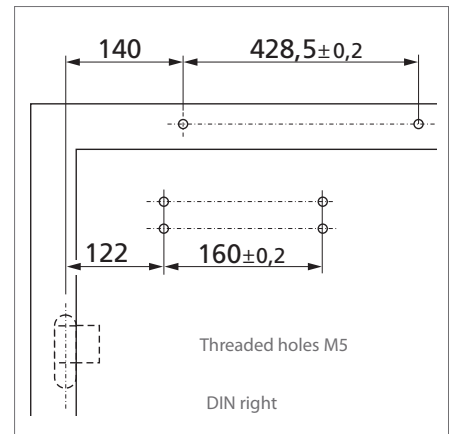


Fig. 23-3

Attention!

Restrict the max. door opening
angle with a door stop!
With TS 5000 L the GEZE T-Stop
guide rail with integrated opening
restrictor can be used instead of
a conventional door stop which
has to be installed on the floor.

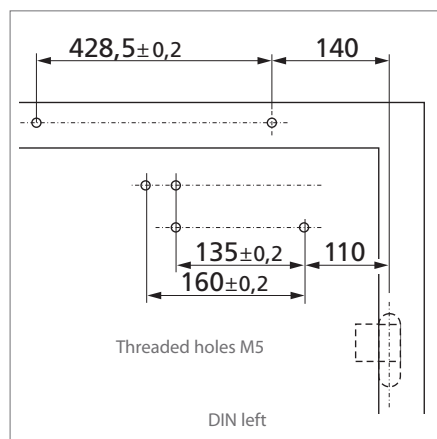


Fig. 23-4

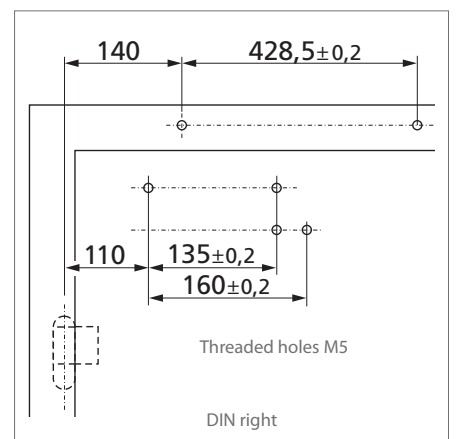


Fig. 23-5

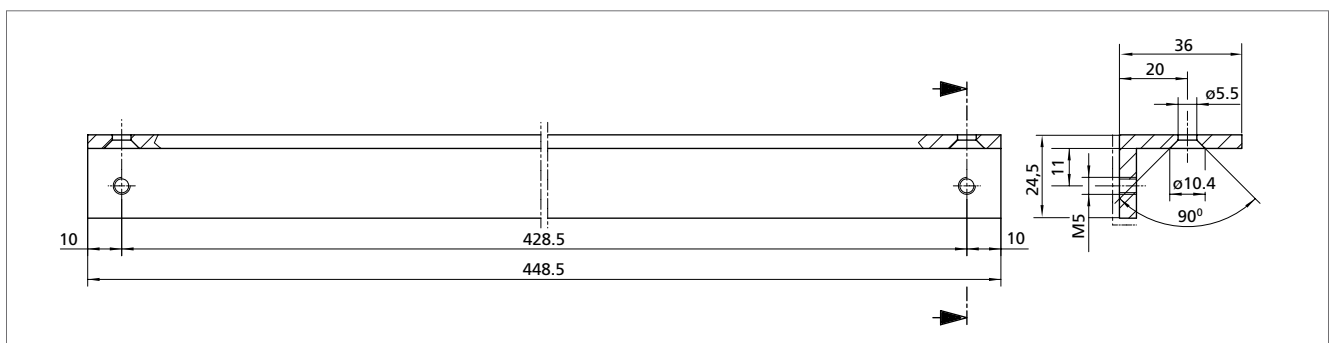


Fig. 23-6

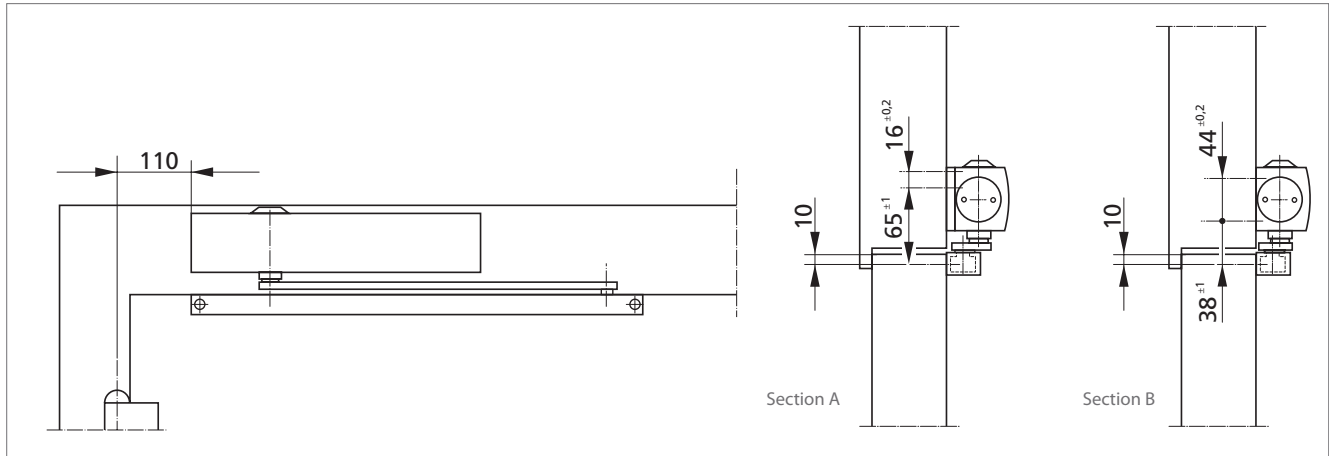


Fig. 24-1

Mounting on hinge side / frame mount
 (only permitted for use with smoke and fire doors if the door is officially approved for this mounting method)

Example showing the mounting of GEZE TS 5000 L, see Fig. 24-1

Section A =
 mounting with mounting plate
 (dimensions of mounting plate, see Fig. 17-2)
 Section B =
 mounting without mounting plate

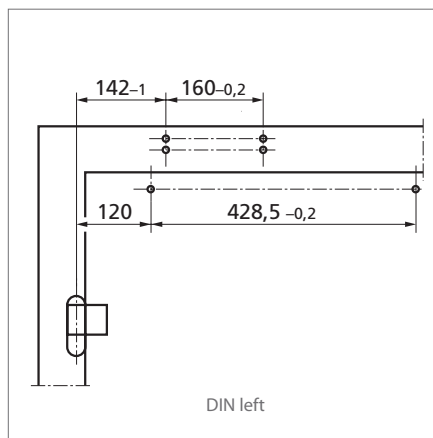


Fig. 24-2

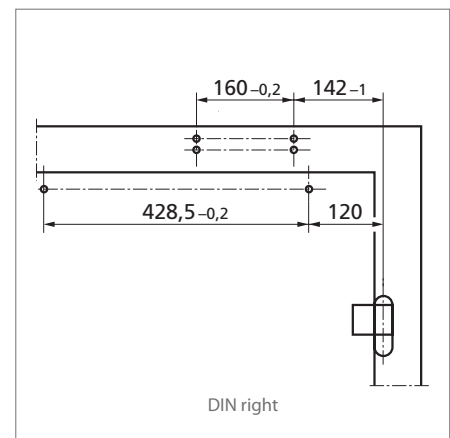


Fig. 24-3

Mounting with mounting plate

Mounting dimensions for left hand door, see Fig. 24-2
 right hand door, see Fig. 24-3

Direct mounting

(in Germany not permitted for use with smoke and fire doors)

Mounting dimensions for left hand door, see Fig. 24-4
 right hand door, see Fig. 24-5

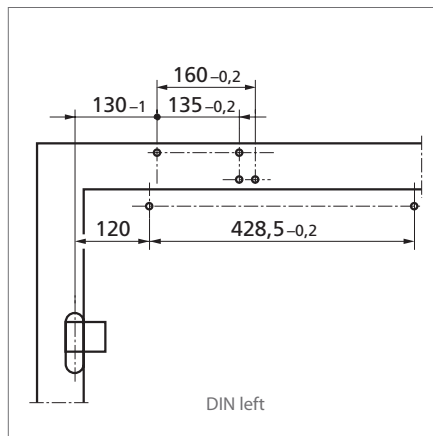


Fig. 24-4

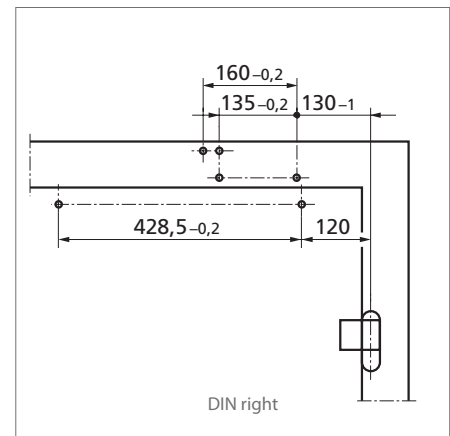


Fig. 24-5

GEZE TS 5000 L – Ordering information

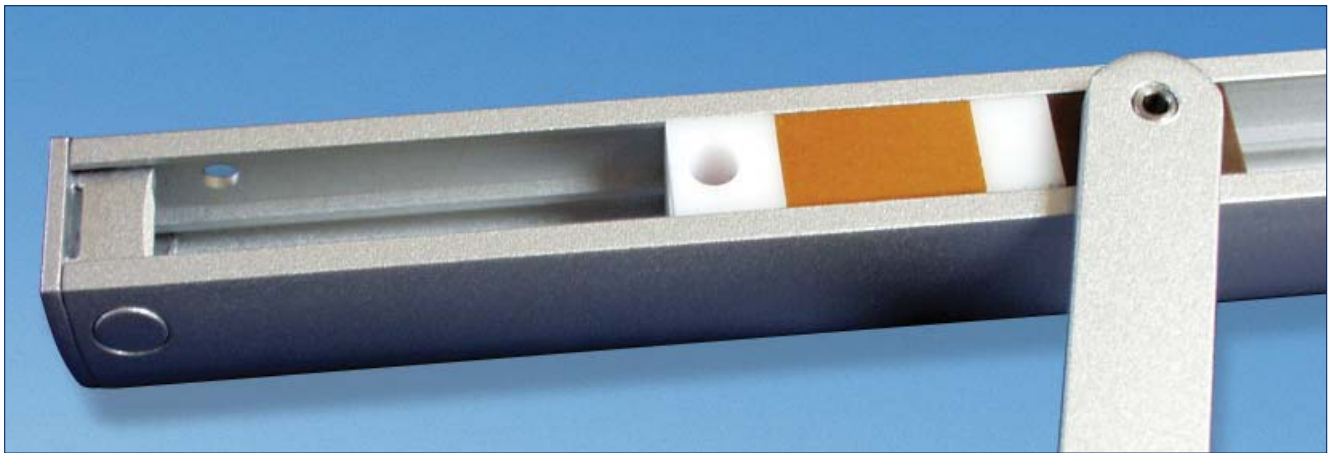
Description	Finish	ID No.
GEZE TS 5000 L, size 2-6 Door closer without guide rail, without lever	silver	027351
	dark bronze	029399
	white RAL 9016	029400
	RAL colour	027352
Guide rail BG with lever (for mounting on opposite hinge side)	silver	025655
	dark bronze	029403
	white RAL 9016	029404
	brass effect	-
	stainless steel effect ²⁾	028732
	RAL colour	025656
Guide rail with lever, height adjustment ± 2 mm	silver	115193
	RAL colour	115194
Guide rail (standard version) with lever (for transom mounting on hinge side)	silver	068221
	dark bronze	068222
	white RAL 9016	015695
	brass effect	067985
	stainless steel effect ²⁾	014945
	RAL colour	000773
Guide rail (standard version) with lever, height adjustment ± 2 mm	silver	115191
	RAL colour	115192
Mechanical hold-open ¹⁾		017924
Mounting material		
Mounting plate for doors without direct closer mounting	silver	049185
	dark bronze	052351
	white RAL 9016	068627
	galvanised steel	057956
	RAL colour	029176
Mounting bracket for standard guide rail BG	silver	025657
	RAL colour	025658
Accessories		
Cover caps (only suitable for mounting on door leaf)	silver	067724
	dark bronze	067725
	white RAL 9016	067726
	polished brass	072698
	stainless steel	072696
	RAL colour	000756

¹⁾ in Germany not permitted for use with smoke and fire doors

²⁾ finish stainless steel effect for dry rooms only

GEZE T-Stop guide rail with integrated opening restrictor for overhead door closer TS 3000 V, TS 5000 and TS 5000 L

With the GEZE T-Stop guide rail, floors can be configured without disturbing door stops and "mud flaps". The integrated door stop avoids not only danger of stumbling at the area of the door but also the danger of squeezing between door leaf and stoppers. The GEZE TS 5000 range is thus extended with this important technical innovation. The T-Stop guide rail is designed for GEZE overhead door closer TS 3000 V, TS 5000 and TS 5000 L. The refitting by exchange of the standard guide rail and lever (mounting dimensions are identical) is without problems possible also with door closers situated already in use.



Applications

- ▶ For single action doors
- ▶ Can be used for right and left hand doors without adjustment
- ▶ For standard mounting on hinge side and on opposite hinge side
- ▶ For GEZE TS 3000 V, TS 5000 and TS 5000 L

Note: From the wind seizes outward opening doors cannot be stopped reliable by the T-Stop guide rail only. Therefore a separate delimitation of the door opening angle e.g. with assembly of a door stopper is recommended.

Specification text

GEZE T-Stop guide rail with integrated opening restrictor

Colour:

- silver
- stainless steel effect
- RAL ...

GEZE T-Stop guide rail – Ordering information

Description	Finish	ID No.
GEZE T-Stop guide rail (for TS 3000 V and TS 5000)	silver	102363
	stainless steel effect ¹⁾	102364
	RAL colour	102365
Guide rail BG with lever (for TS 5000 L, mounting on opposite hinge side)	silver	102366
	stainless steel effect ¹⁾	102367
	RAL colour	102368
Mounting material		
Mounting bracket for GEZE T-Stop guide rail BG	silver	115006
	RAL colour	115007

¹⁾ finish stainless steel effect for dry rooms only

Recommended applications,
see Fig. 27-1

Door mount / hinge side

Example showing the mounting of
GEZE TS 5000, see Fig. 27-2

Door mount / opposite hinge side

Example showing the mounting of
GEZE TS 5000 L, see Fig. 27-3

Example showing the fitting with
mounting bracket, see Fig. 27-4

Max. opening angle is depending on
the mounting method and the door
situation.

Mounting bracket

for GEZE T-Stop guide rail BG,
see Fig. 27-5

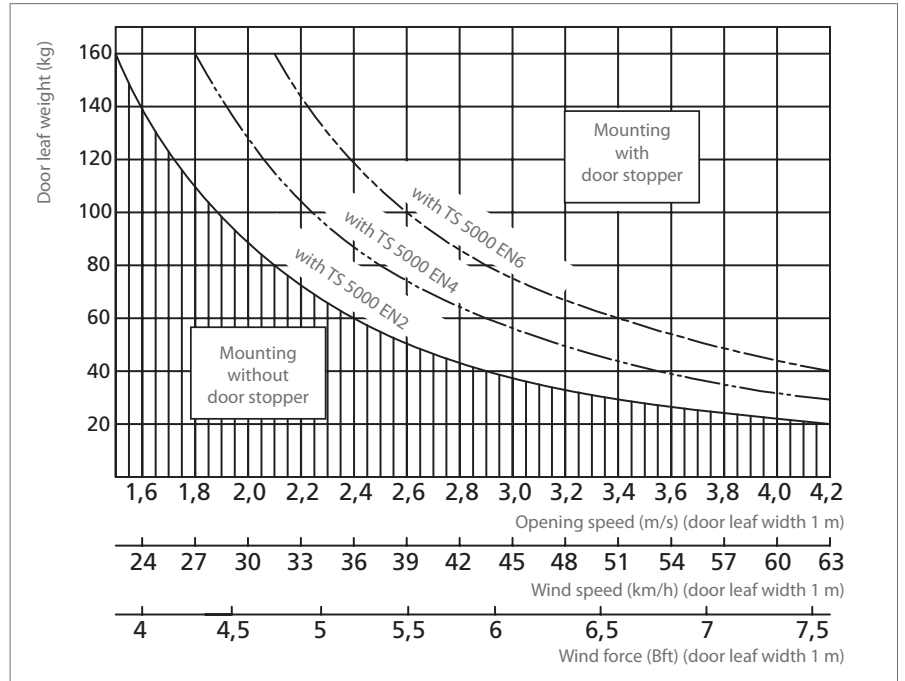


Fig. 27-1

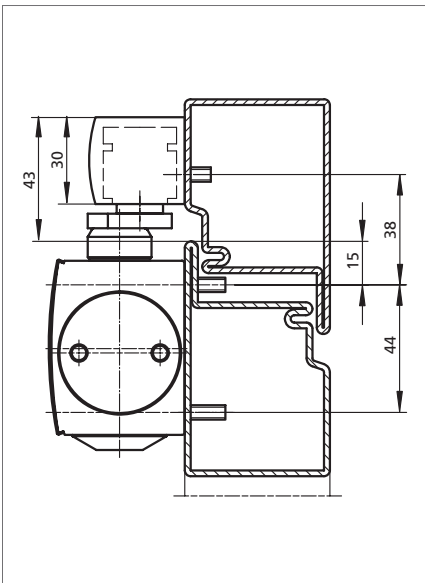


Fig. 27-2

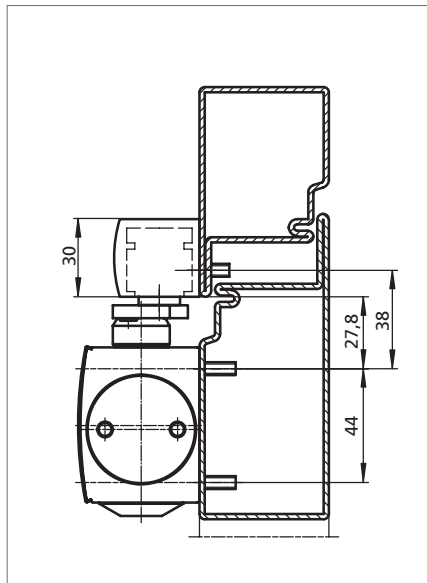


Fig. 27-3

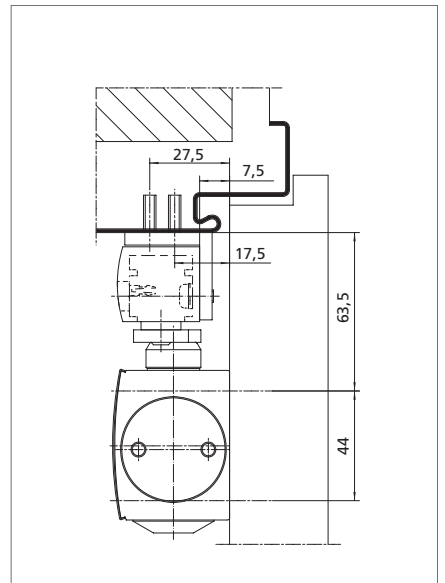


Fig. 27-4

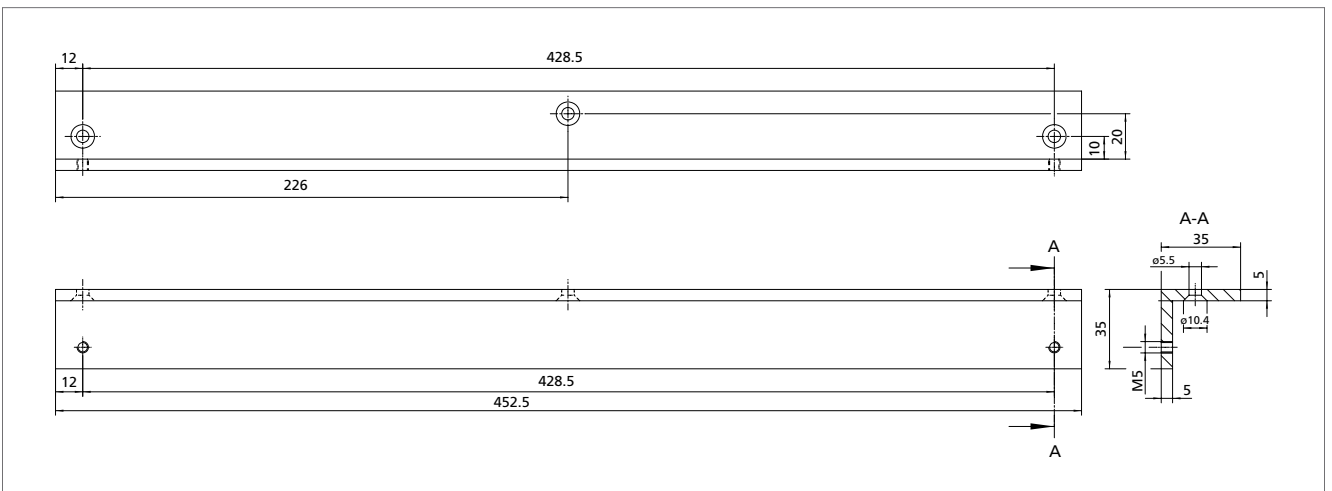


Fig. 27-5

GEZE TS 5000 E

Overhead closer for single-leaf doors, with electromechanical hold-open

Product features

- ▶ Door closer EN 1155 with guide rail, overall height 30 mm
- ▶ Adjustable closing force size 2-6
- ▶ Electromechanical hold-open in the guide rail, hold-open angle infinitely variable between 80°-130°
- ▶ Optical size indicator
- ▶ Back check, hydraulic latching action and thermo-constant closing speed adjustable
- ▶ All functions adjustable from front

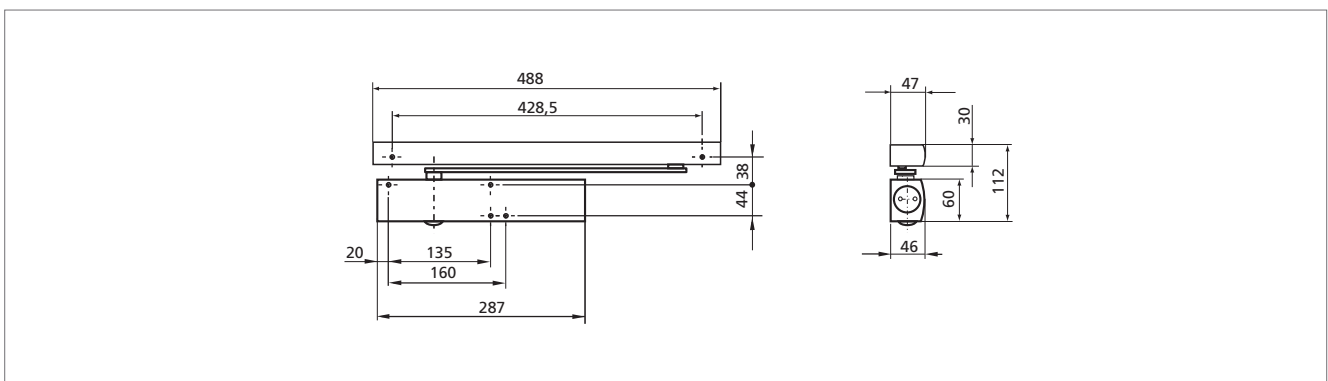
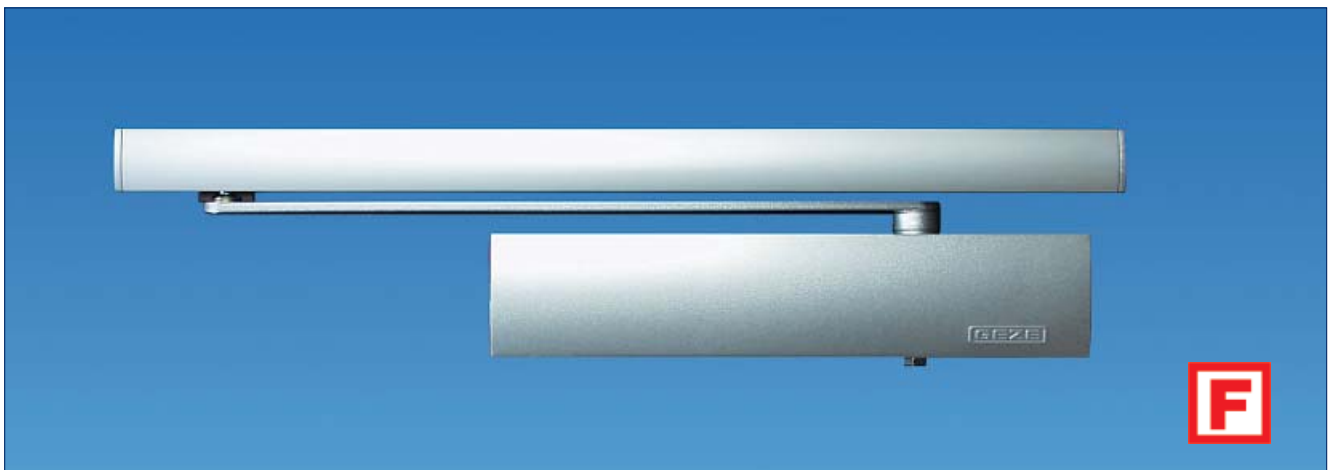


Fig. 28-1

Applications

- ▶ For single action doors, leaf width up to 1400 mm
- ▶ Can be used for right and left hand doors without adjustment
- ▶ For smoke and fire doors (if door mount, a mounting plate is usually required)

Specification text

GEZE Overhead door closer TS 5000 E 24 V DC to be mounted to smoke and fire doors, with guide rail, overall height 30 mm, with electromechanical hold-open, infinitely variable from 80° to 130° an exact position according to EN 1155, closing force adjustable from the front EN size 2-6, closing speed and latching action, with adjustable back check, with visual size indicator, standard mounting on hinge side / door mount, with mounting plate.

Colour:

- () silver
- () dark bronze
- () white
- () RAL ...

Note:

The GEZE TS 5000 E has Building Regulation approval for several different actuation devices.

Notice guidelines of the DIBt.

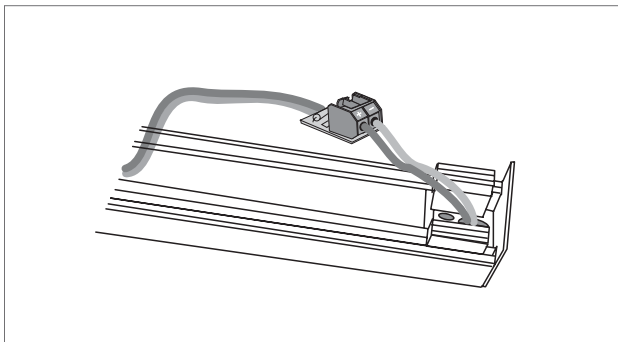


Fig. 29-1

Standard version/package

GEZE TS 5000 E comprising:
 TS 5000 closer complete with mounting material and fitting template (mounting plate not included); still needed:
 guide rail with lever and electromechanical hold-open

Electrical installation

The GEZE TS 5000 E must be connected to a 24 V DC direct voltage supply to allow the door to be held open.

Function

- ▶ Voltage applied to E-guide rail = door held open
- ▶ No voltage applied or switched off = door not held open and closes automatically
- ▶ The door can be closed manually at any time regardless of whether or not voltage is being applied

Electrical data

- ▶ Operating voltage 24 V DC $\pm 10\%$
- ▶ Connected load 100 mA
- ▶ Max. permissible residual ripple 20%
- ▶ Rating 100%
- ▶ Enclosure rating IP 43 (for interior use only)

Connection

The power supply cable (max. cross section 0,8 mm²) from the fire detector control unit (24 V DC) is connected to the connection clamp of the guide rail, see Fig. 29-1

Flush-mounted power supply cable, see Fig. 29-1

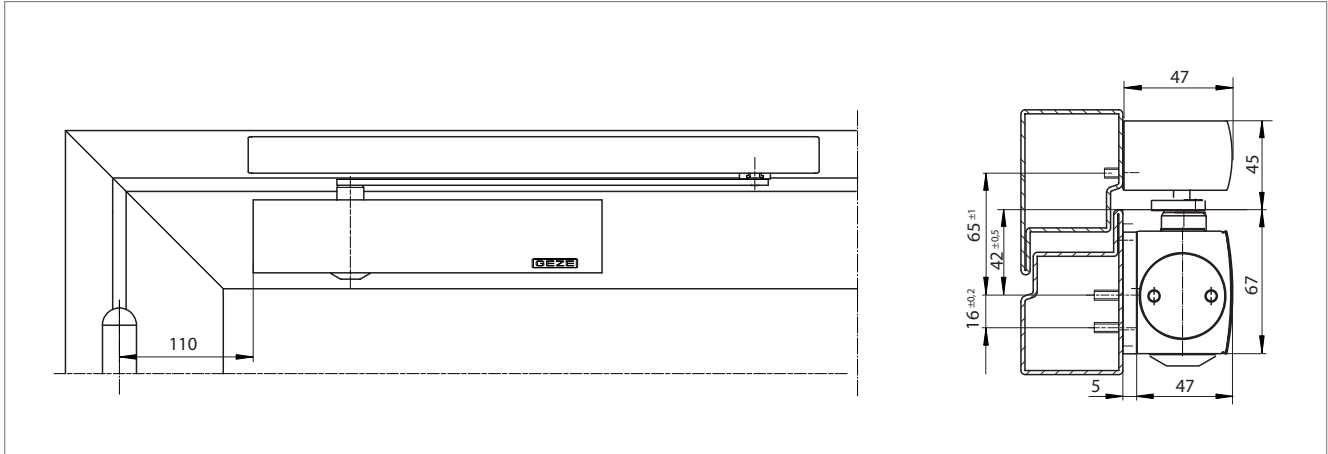


Fig. 30-1

Mounting on hinge side / door mount

Example showing the mounting of GEZE TS 5000 E with mounting plate to a fire door, see Fig. 30-1

Mounting plate, 5 mm thick, for doors without direct closer mounting, see Fig. 30-2

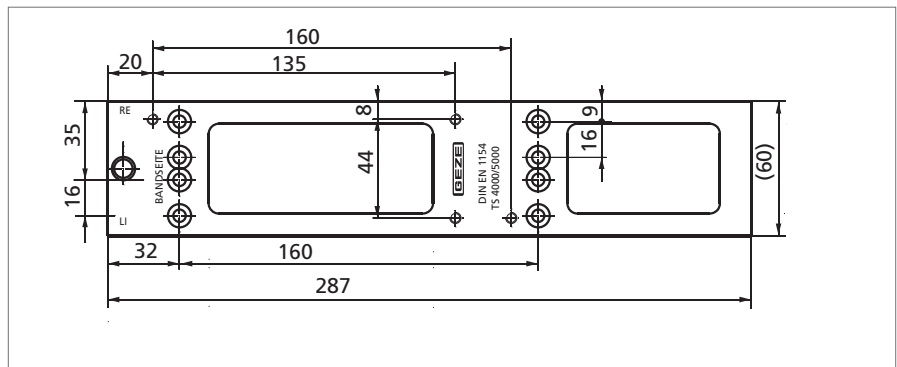


Fig. 30-2

Mounting with mounting plate

Mounting dimensions for left hand door, see Fig. 30-3 right hand door, see Fig. 30-4

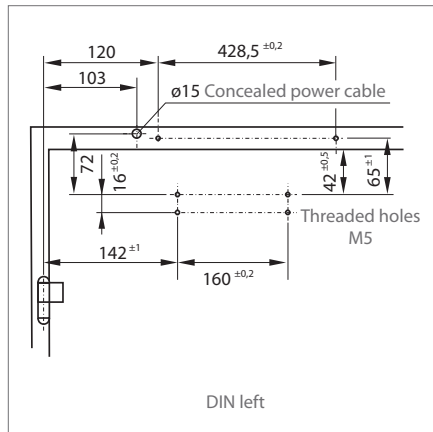


Fig. 30-3

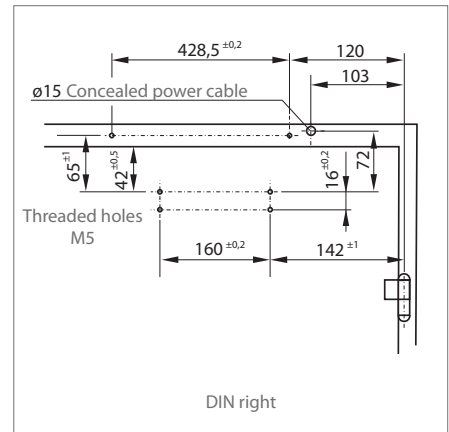


Fig. 30-4

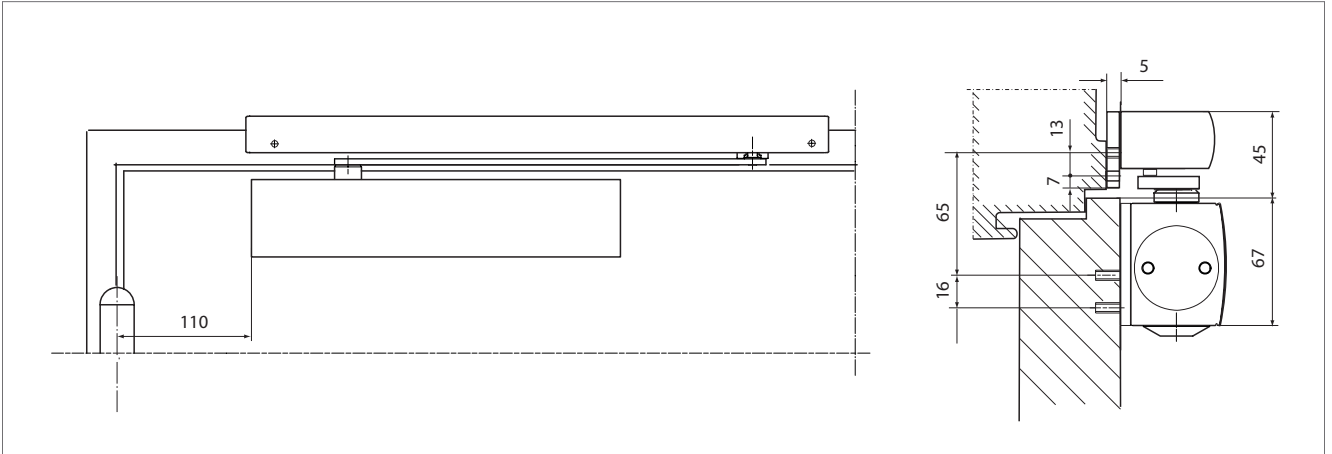


Fig. 31-1

Mounting to narrow door frames

Example showing the mounting of GEZE TS 5000 E, see Fig. 31-1

Mounting plate for door closer, see Fig. 30-2
for E-guide rail, see Fig. 31-2

Mounting dimensions for left hand door, see Fig. 31-3
right hand door, see Fig. 31-4

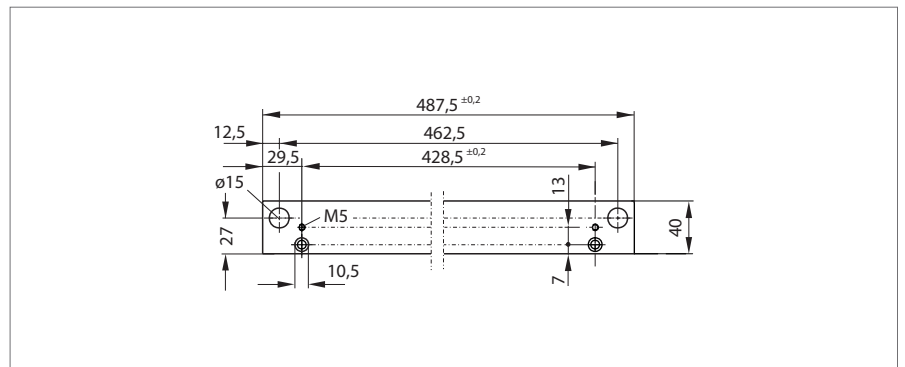


Fig. 31-2

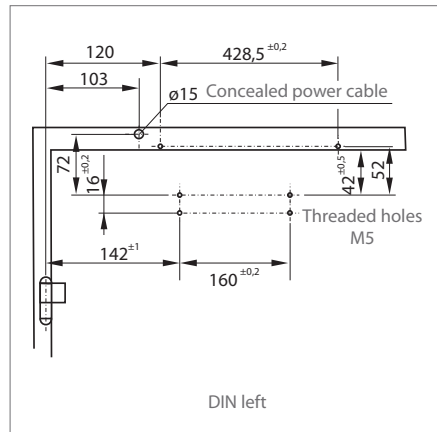


Fig. 31-3

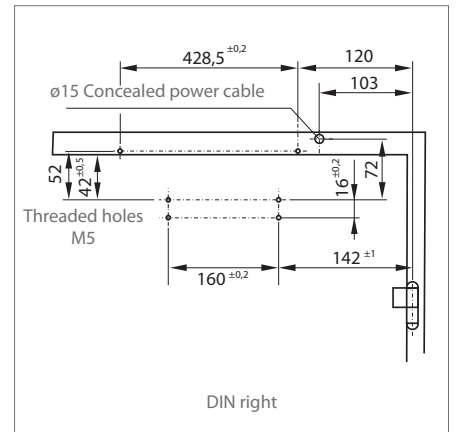


Fig. 31-4

GEZE TS 5000 E – Ordering information

Description	Finish	ID No.
GEZE TS 5000, size 2-6 Door closer without guide rail, without lever	silver	027333
	dark bronze	027334
	white RAL 9016	027335
	RAL colour	027336
Guide rail with lever, with electromechanical hold-open	silver	086431
	dark bronze	086430
	white RAL 9016	086432
	stainless steel effect ¹⁾	086434
	RAL colour	086428
Mounting material		
Mounting plate for doors without direct closer mounting	silver	049185
	dark bronze	052351
	white RAL 9016	068627
	galvanised steel	057956
	RAL colour	029176
Mounting plate for E-guide rail	silver	100872
	RAL colour	100873
Drilling template		053134
Accessories		
Cover caps (only suitable for mounting on door leaf)	silver	067724
	dark bronze	067725
	white RAL 9016	067726
	polished brass	072698
	stainless steel	072696
	RAL colour	000756

¹⁾ finish stainless steel effect for dry rooms only

GEZE TS 5000 L-E

Overhead closer for single-leaf doors,
with electromechanical hold-open,
standard mounting on opposite hinge side / door mount

Product features

- ▶ Door closer EN 1155 with guide rail BG
- ▶ Adjustable closing force size 2-6
- ▶ Electromechanical hold-open in the guide rail, hold-open angle infinitely variable between 80°-130°
- ▶ Optical size indicator
- ▶ Back check, hydraulic latching action and thermo-constant closing speed adjustable
- ▶ All functions adjustable from front

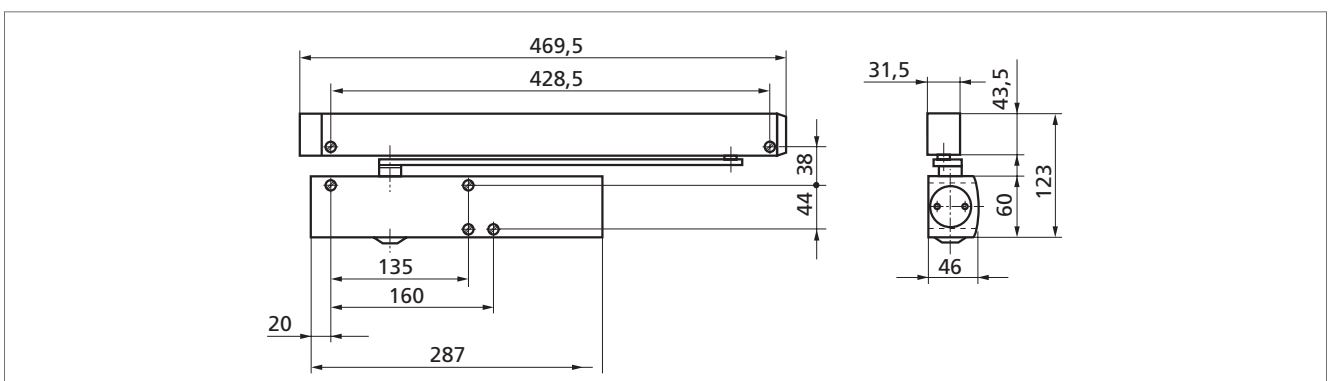


Fig. 33-1

Applications

- ▶ For single action doors, leaf width up to 1400 mm
- ▶ Can be used for right and left hand doors without adjustment
- ▶ For smoke and fire doors (a mounting plate is usually required)

Specification text

GEZE Overhead door closer TS 5000 L-E 24 V DC, to be mounted to smoke and fire doors, with guide rail BG, with electromechanical hold-open, infinitely variable from 80° to 130° to an exact position according to EN 1155, closing force EN size 2-6, closing speed and latching action adjustable from front, with visual size indicator, standard mounting on opposite hinge side / door mount, with mounting plate.

Colour:

- () silver
- () dark bronze
- () white
- () RAL ...

Note:

The GEZE TS 5000 E has Building Regulation approval for several different actuation devices.

Notice guidelines of the DIBt.

Standard version/package

GEZE TS 5000 L-E comprising: TS 5000 L closer complete with mounting material and fitting template (mounting plate not included); still needed: guide rail BG with lever and electromechanical hold-open

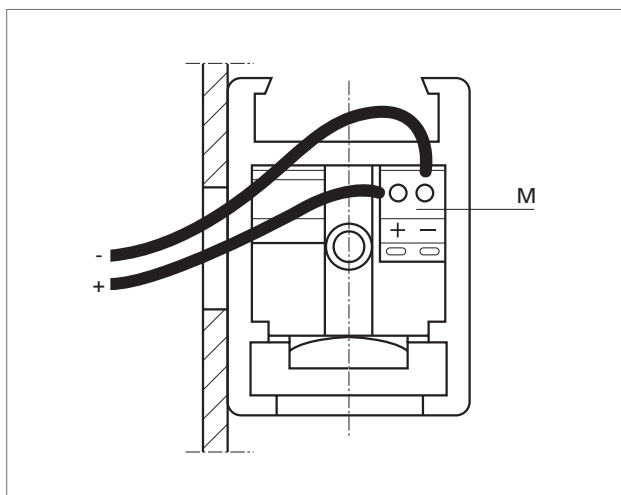


Fig. 34-1

Electrical installation

The GEZE TS 5000 L-E must be connected to a 24 V DC direct voltage supply to allow the door to be held open.

Function

- ▶ Voltage applied to E-guide rail = door held open
- ▶ No voltage applied or switched off = door not held open and closes automatically
- ▶ The door can be closed manually at any time regardless of whether or not voltage is being applied

Electrical data

- ▶ Operating voltage 24 V DC ±10%
- ▶ Connected load 100 mA
- ▶ Max. permissible residual ripple 20%
- ▶ Rating 100%
- ▶ Enclosure rating IP 43 (for interior use only)

Connection

The power supply cable (max. cross section 0,8 mm²) from the fire detector control unit (24 V DC) is connected to terminal "M" in the guide rail, see Fig. 34-1

Flush-mounted power supply cable, see Fig. 34-1

Surface-mounted power supply cable are guided through the cover cap at the side of the guide rail.

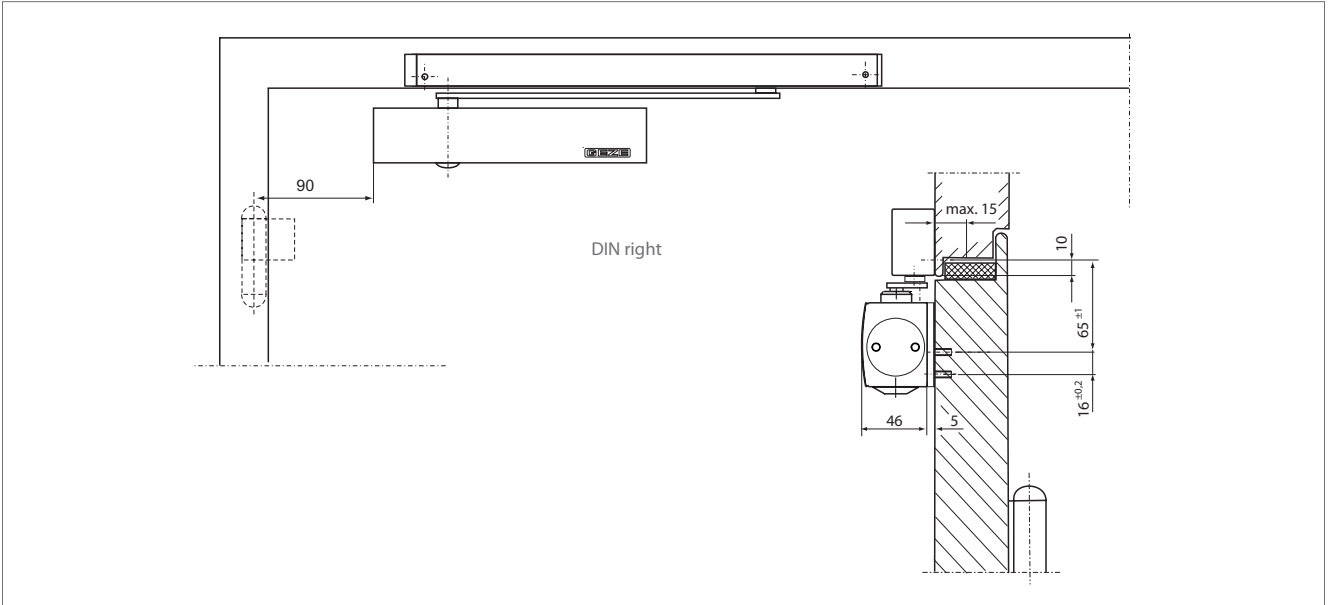


Fig. 35-1

Mounting on opposite hinge side / door mount

Example showing the mounting of GEZE TS 5000 L-E with mounting plate to a fire door, see Fig. 35-1

Mounting plate, 5 mm thick, for doors without direct closer mounting, see Fig. 35-2

Mounting with mounting plate

Mounting dimensions for right hand door, see Fig. 35-3
left hand door, see Fig. 35-4

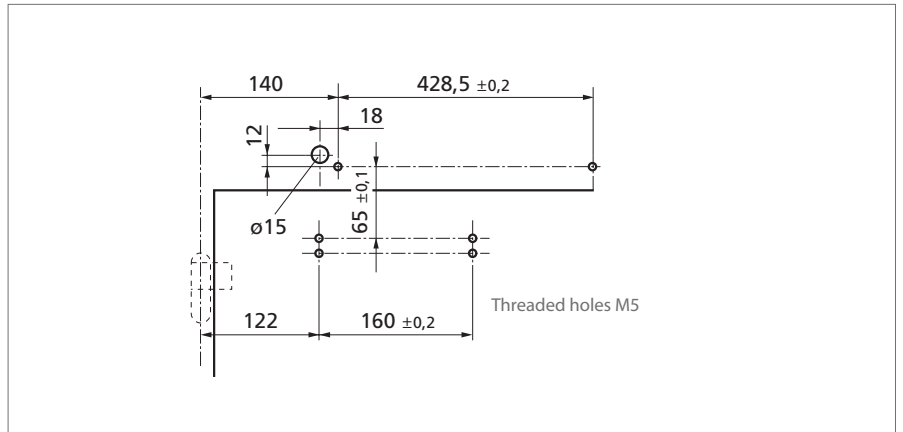


Fig. 35-2

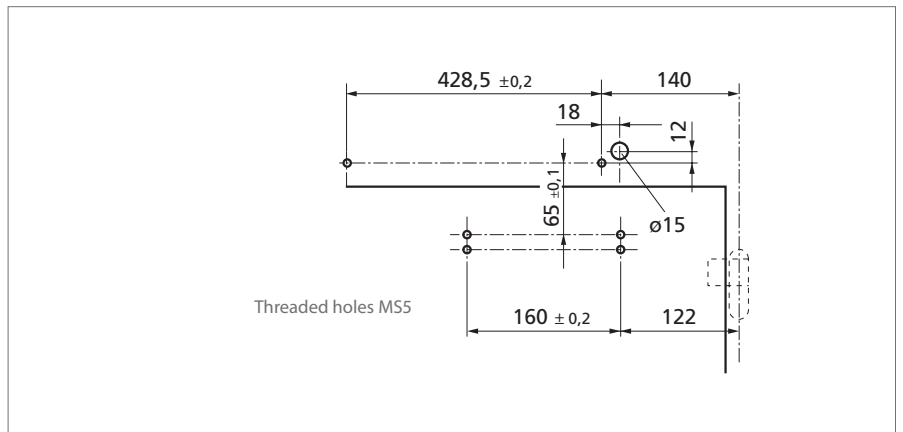
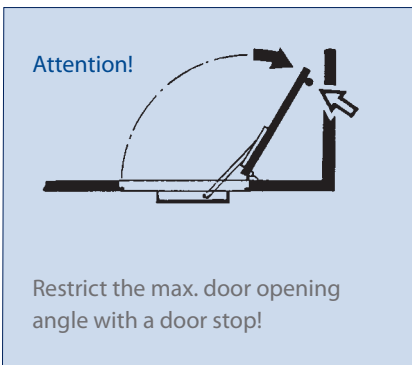


Fig. 35-3



GEZE TS 5000 L-E – Ordering information

Description	Finish	ID No.
GEZE TS 5000 L, size 2-6 Door closer without guide rail, without lever	silver	027351
	dark bronze	029399
	white RAL 9016	029400
	RAL colour	027352
Guide rail BG with lever, with electromechanical hold-open	silver	025659
	dark bronze	029409
	white RAL 9016	029410
	RAL colour	025660
Mounting material		
Mounting plate for doors without direct closer mounting	silver	049185
	dark bronze	052351
	white RAL 9016	068627
	galvanised steel	057956
	RAL colour	029176
Accessories		
Cover caps (only suitable for mounting on door leaf)	silver	067724
	dark bronze	067725
	white RAL 9016	067726
	polished brass	072698
	stainless steel	072696
	RAL colour	000756

GEZE TS 5000 R

Overhead closer for single-leaf doors, with electro-mechanical hold-open and smoke switch control unit

Product features

- ▶ Door closer EN 1155 with guide rail, overall height 30 mm and integrated smoke switch control unit, authorisation-No. Z-6.5-1747
- ▶ Adjustable closing force size 2-6
- ▶ Electromechanical hold-open in the guide rail, hold-open angle infinitely variable between 80°-130°
- ▶ Optical size indicator
- ▶ Back check, hydraulic latching action and thermo-constant closing speed adjustable
- ▶ All functions adjustable from front
- ▶ Smoke switch and power pack integrated in the guide rail
- ▶ Power supply, mains voltage 230 V

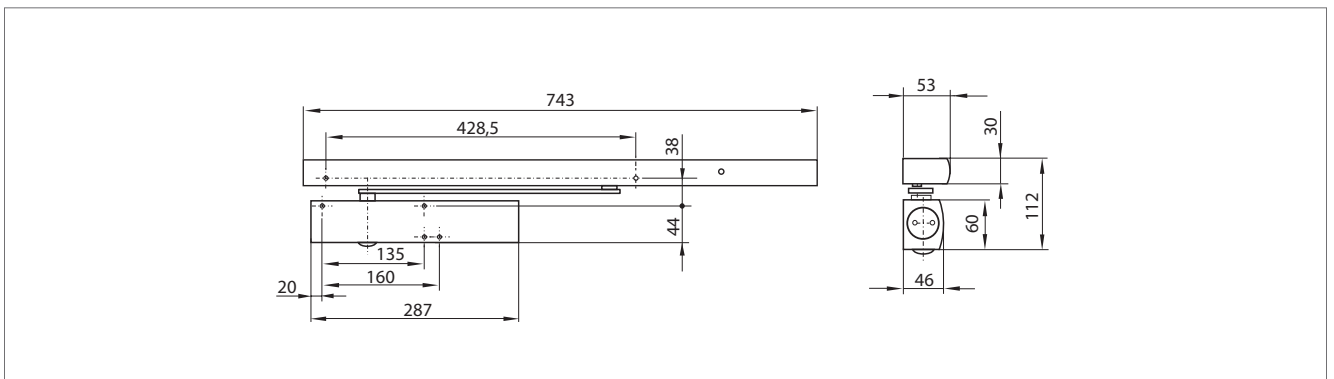


Fig. 37-1

Applications

- ▶ For single action doors, leaf width up to 1400 mm
- ▶ Can be used for right and left hand doors without adjustment
- ▶ For smoke and fire doors

Specification text

GEZE Overhead door closer TS 5000 R 230 V AC, to be mounted to smoke and fire doors, with guide rail, overall height 30 mm, with electromechanical hold-open, infinitely variable from 80° to 130° to an exact position according to EN 1155, hold-open position can be overridden, with integrated smoke switch control unit, closing force EN size 2-6 adjustable from front, closing speed, latching action and back check adjustable from front, with visual size indicator, standard mounting on hinge side / door mount, with mounting plate.

Colour:

- () silver
- () dark bronze
- () white
- () RAL ...

Note:

Notice guidelines of DIBt.

Standard version/package

GEZE TS 5000 R comprising:
GEZE TS 5000 closer complete with mounting material and fitting template (mounting plate not included); still needed: guide rail with lever, electromechanical hold-open and smoke switch control unit



GEZE TS 5000 R · Schloss Bietigheim



GEZE TS 5000 R · Messe BAU 2005

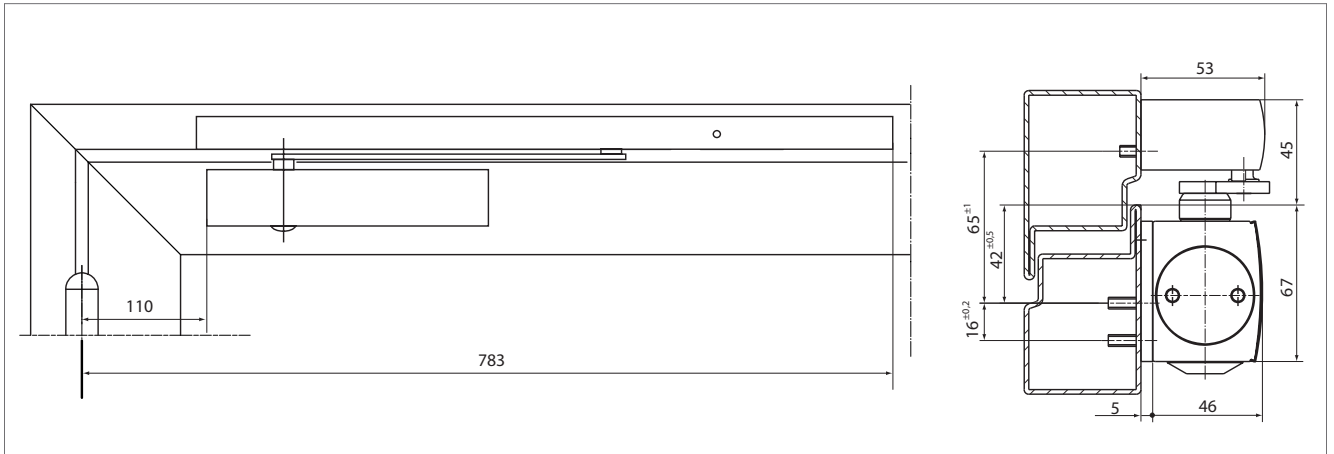


Fig. 39-1

Mounting on hinge side / door mount

Example showing the mounting of GEZETS 5000 R with mounting plate on fire door, see Fig. 39-1

Mounting plate for door closer dimensions, see Fig. 30-2

Mounting with mounting plate

Mounting dimensions for left hand door, see Fig. 39-2
right hand door, see Fig. 39-3

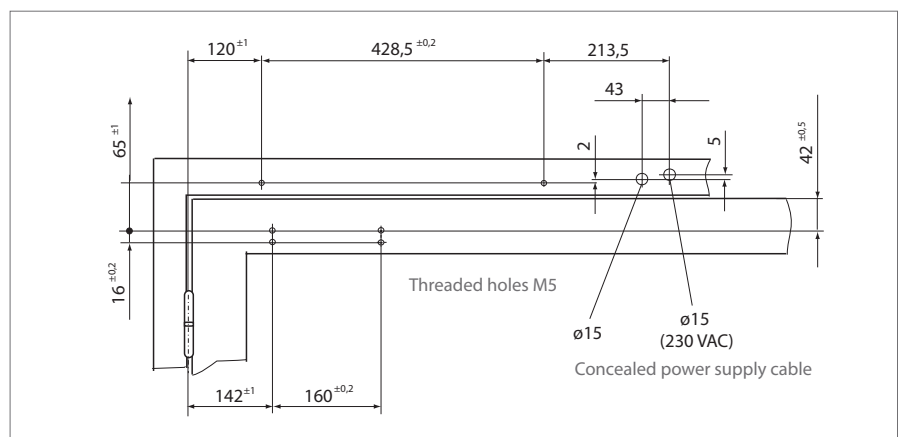


Fig. 39-2

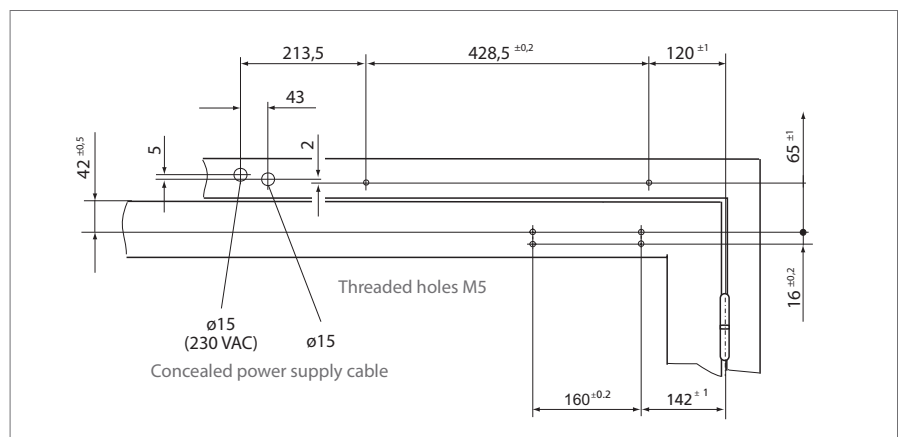


Fig. 39-3

Mounting to narrow door frames

Example showing the mounting of GEZE TS 5000 R, see Fig. 40-1

Mounting plate for door closer, see Fig. 30-2 for R-guide rail, see Fig. 40-2

Mounting with mounting plate

Mounting dimensions for left hand door, see Fig. 40-3 right hand door, see Fig. 40-4

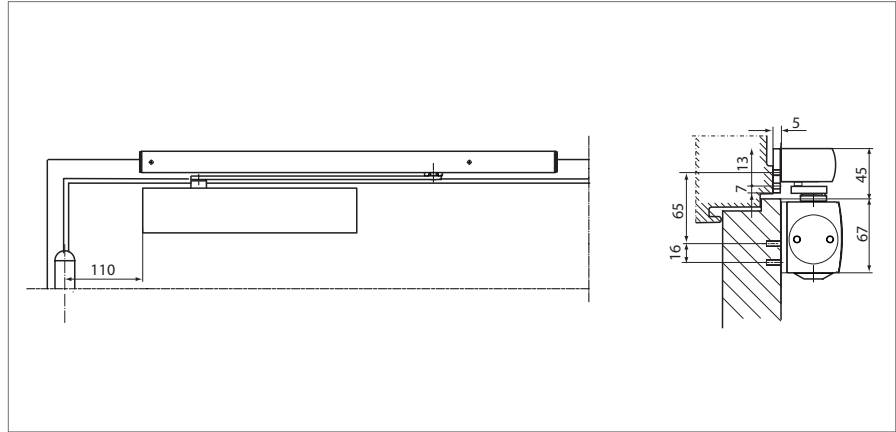


Fig. 40-1

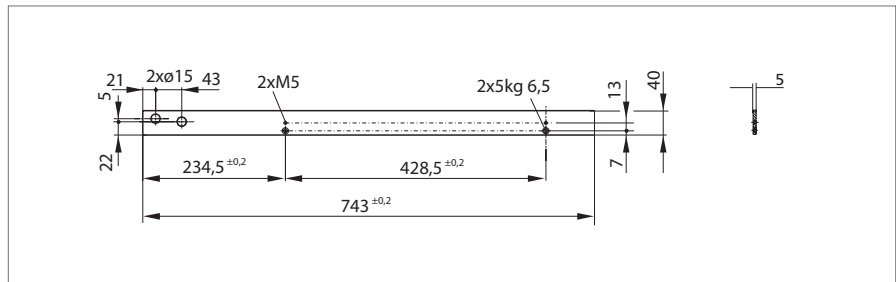


Fig. 40-2

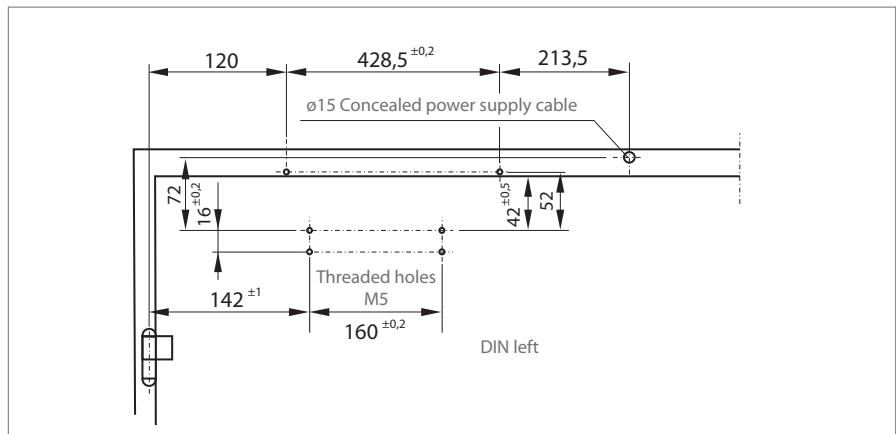


Fig. 40-3

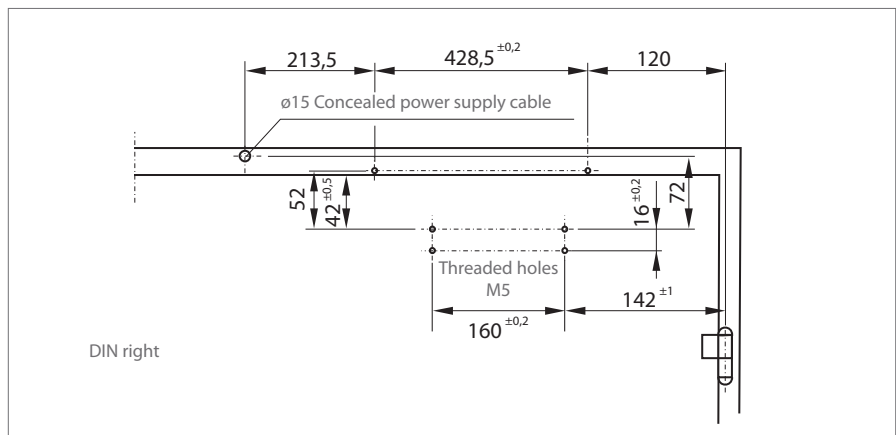


Fig. 40-4

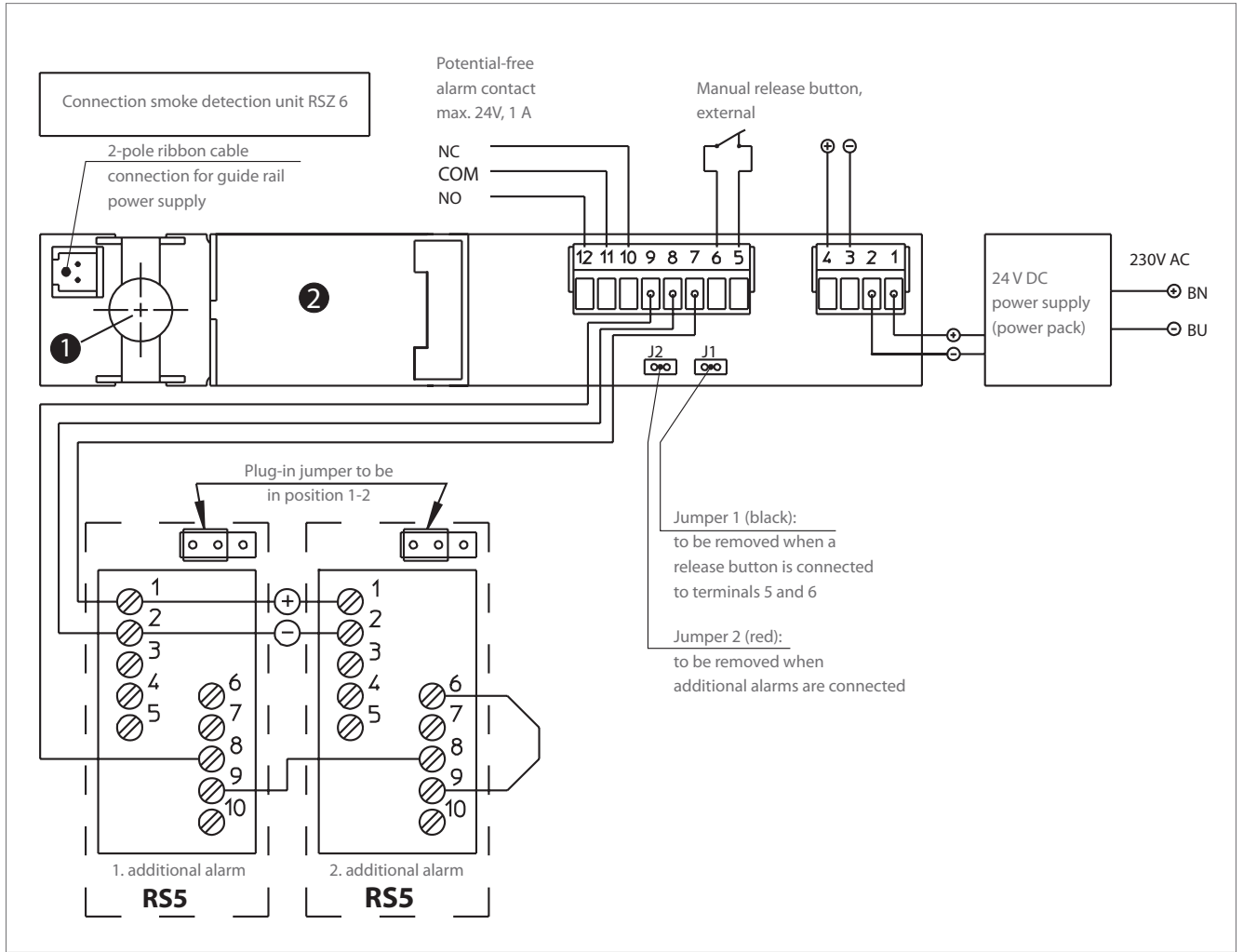


Fig. 41-1

Electrical installation

The TS 5000 R system is fully functional once it is connected to the mains voltage.

Function

- ▶ Voltage applied to R-guide rail = door held open
- ▶ In the event of fire, the installed smoke switch responds and the door closes automatically
- ▶ No voltage applied or switched off = door not held open and closes automatically
- ▶ The door can be closed manually at any time regardless of whether or not voltage is being applied

Electrical data

integrated smoke switch control unit:

- ▶ Smoke detection – optical scattered light principle
- ▶ Operating voltage 230 V AC, 50 Hz, 6,3 W
- ▶ Total connected load for closer/magnetic door clamp max. 200 mA
- ▶ Ambient temperature 0° C up to +50° C
- ▶ Short-circuit proof
- ▶ Alarm threshold
- ▶ Soiling indicator
- ▶ Enclosure rating IP 20

Legend, Fig. 41-1

- ① Status display:
operation = LED green
alarm = LED red
Soil = LED red/green variable flashing
- ② Smoke detection unit

GEZE TS 5000 R – Ordering information

Description	Finish	ID No.
GEZE TS 5000, size 2-6 Door closer without guide rail, without lever	silver	027333
	dark bronze	027334
	white RAL 9016	027335
	RAL colour	027336
R-guide rail with lever with electromechanical hold-open and integrated smoke switch control unit	silver	088014
	dark bronze	088013
	white RAL 9016	088015
	stainless steel effect ¹⁾	088017
	RAL colour	088011
Mounting material		
Mounting plate for doors without direct closer mounting	silver	049185
	dark bronze	052351
	white RAL 9016	068627
	galvanised steel	057956
	RAL colour	029176
Mounting plate for R-guide rail	silver	100874
	RAL colour	100885
Accessories		
Cover caps (only suitable for mounting on door leaf)	silver	067724
	dark bronze	067725
	white RAL 9016	067726
	polished brass	072698
	stainless steel	072696
	RAL colour	000756

¹⁾ finish stainless steel effect for dry rooms only

GEZE TS 5000 L-R

Overhead closer for single-leaf doors, with electro-mechanical hold-open and smoke switch control unit, standard mounting on opposite hinge side / door mount

Product features

- ▶ Door closer EN 1155 with guide rail and smoke switch control unit, authorisation-No. Z-6.5-1508
- ▶ Adjustable closing force size 2-6
- ▶ Electromechanical hold-open in the guide rail, hold-open angle infinitely variable between 80°-130°
- ▶ Optical size indicator
- ▶ Back check, hydraulic latching action and thermo-constant closing speed adjustable
- ▶ All functions adjustable from front
- ▶ Smoke switch and power pack integrated in the guide rail
- ▶ Power supply, mains voltage 230 V

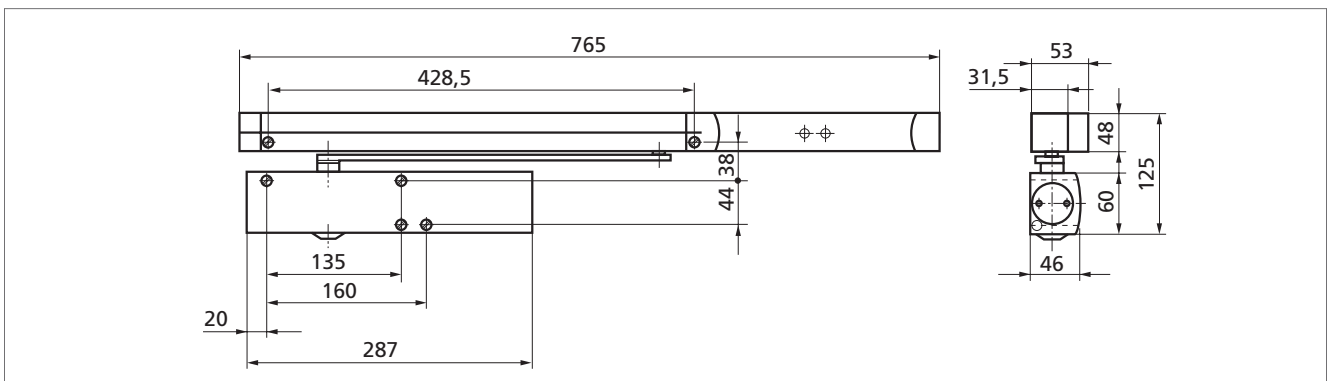


Fig. 43-1

Applications

- ▶ For single action doors, leaf width up to 1400 mm
- ▶ Can be used for right and left hand doors without adjustment
- ▶ For smoke and fire doors

Specification text

GEZE Overhead door closer TS 5000 L-R 230 V AC, to be mounted to smoke and fire doors, with guide rail BG, with electromechanical hold-open, infinitely variable from 80° to 130° to an exact position according to EN 1155, hold-open position can be overridden, with integrated smoke switch control unit, closing force EN size 2-6 adjustable from front, closing speed and latching action adjustable from front, with visual size indicator, standard mounting on opposite hinge side / door mount, with mounting plate.

Colour:

- silver
- dark bronze
- white
- RAL ...

Note:

Notice guidelines of DIBt.

Standard version/package

GEZE TS 5000 L-R comprising: TS 5000 L closer complete with mounting material and fitting template (mounting plate not included); still needed: guide rail BG with lever, electromechanical hold-open and smoke switch control unit



GEZE TS 5000 L-R · Technische Informatik, Mannheim

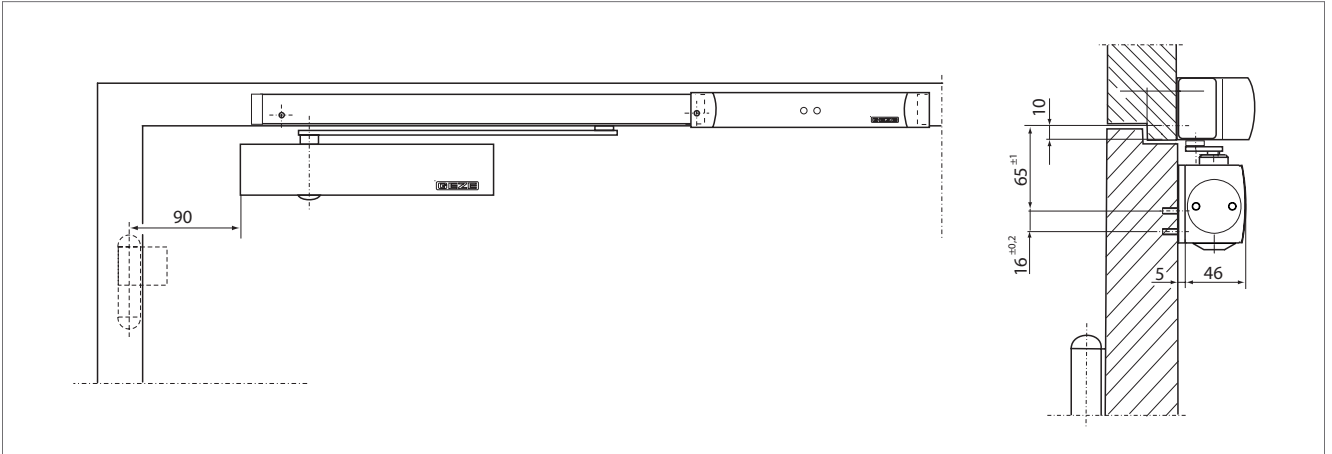


Fig. 45-1

Mounting on opposite hinge side / door mount

Example showing the mounting of GEZE TS 5000 L-R with mounting plate on a fire door, see Fig. 45-1

Mounting plate for door closer dimensions, see Fig. 30-2

Mounting with mounting plate

Mounting dimensions for right hand door, see Fig. 45-2
left hand door, see Fig. 45-3

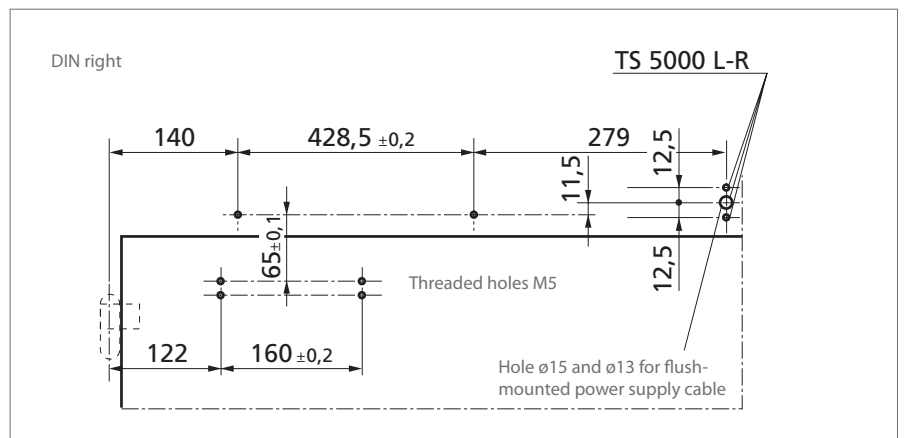


Fig. 45-2

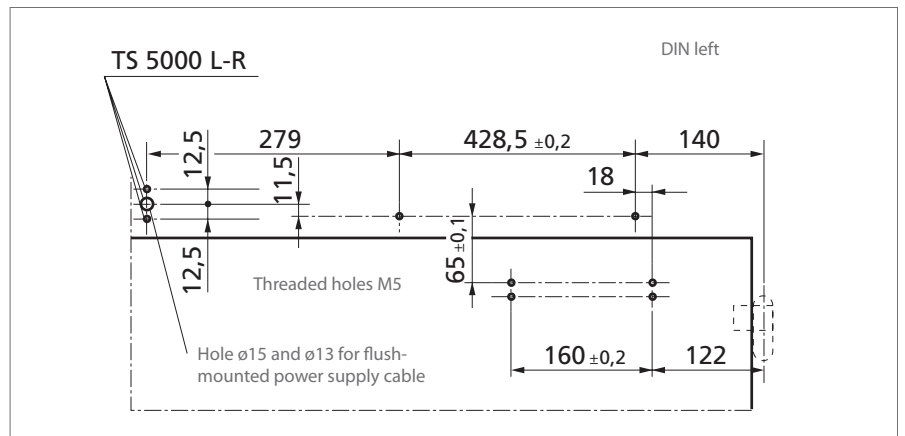
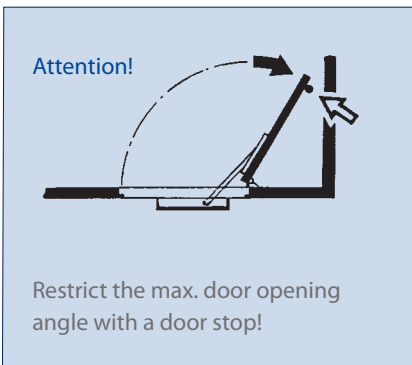


Fig. 45-3



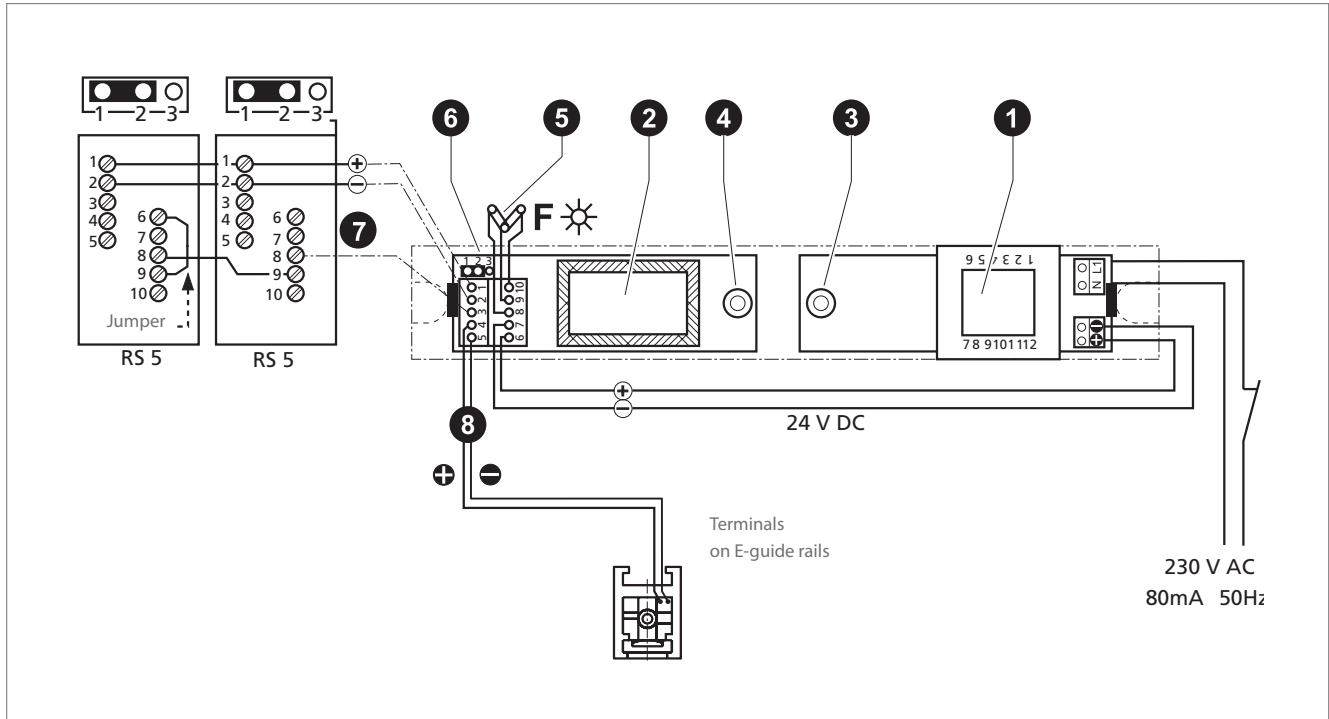


Fig. 46-1

Electrical installation

The GEZE TS 5000 L-R system is connected to the 230 V mains voltage via the smoke switch control unit. The system is fully functional once the smoke switch control unit and guide rail have been interconnected.

Function

- ▶ Voltage applied to guide rail = door held open
- ▶ In the event of fire, the installed smoke switch responds and the door closes automatically
- ▶ No voltage applied or switched off = door not held open and closes automatically
- ▶ The door can be closed manually at any time regardless of whether or not voltage is being applied

Electrical data

for smoke switch control unit RSZ 5:

- ▶ Smoke detection – optical scattered light principle
- ▶ Operating voltage 230 V AC, 80 mA, 50 Hz
- ▶ Total connected load max. 230 mA
- ▶ Ambient temperature -5° C to +50° C
- ▶ Fuse: T 315 mA “L”
- ▶ Enclosure rating IP 20

Legend, Fig. 46-1

- ❶ Power supply unit
- ❷ Smoke detection unit
- ❸ Status display, LED green
- ❹ Alarm display, LED red
- ❺ Potential-free contact to external smoke detection display, max. 30 V DC/1 A/30 W
- ❻ Plug-in jumper
- ❼ Connection of additional smoke switches (max. 2 units) GEZE RS 5
- ❽ Door closer connection to terminal on E-guide rail BG (100 mA)

GEZE TS 5000 L-R – Ordering information

Description	Finish	ID No.
GEZE TS 5000 L, size 2-6 Door closer without guide rail, without lever	silver	027351
	dark bronze	029399
	white RAL 9016	029400
	RAL colour	027352
E-guide rail BG with lever, with electromechanical hold-open	silver	025659
	dark bronze	029409
	white RAL 9016	029410
	stainless steel effect ¹⁾	028734
	RAL colour	025660
Smoke switch control unit RSZ 5	silver	028357
	dark bronze	028960
	white RAL 9016	028961
	stainless steel effect ¹⁾	028963
	RAL colour	028962
Mounting material		
Mounting plate for doors without direct closer mouting	silver	049185
	dark bronze	052351
	white RAL 9016	068627
	galvanised steel	057956
	RAL colour	029176
Accessories		
Cover caps (only suitable for mounting on door leaf)	silver	067724
	dark bronze	067725
	white RAL 9016	067726
	polished brass	072698
	stainless steel	072696
	RAL colour	000756
Trip switch for smoke switch control unit RSZ 5		073927

¹⁾ finish stainless steel for dry rooms only

GEZE TS 5000 EFS

Overhead closer for single-leaf doors with freeswing function

The GEZE overhead door closer TS 5000 now features an additional function: the version TS 5000 EFS is equipped for the so-called "freeswing" function.

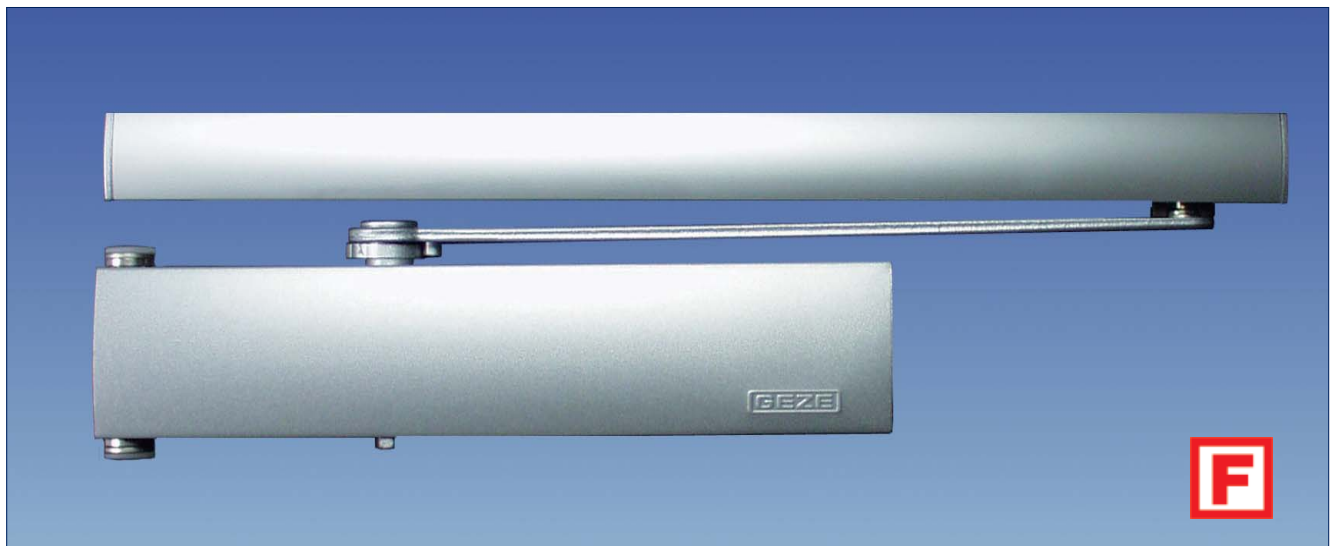
The freeswing function is activated by opening the door once to approximately 90° (typically in the morning).

This will ensure that the closer spindle is held in that position in the door closer through the electro-hydraulic hold-open mechanism. This function makes it possible to use the door without resistance from the closer, for opening and closing. In the case of fire, the door closes automatically, irrespective of the current angle of opening.

The freeswing function is particularly important in hospitals, kindergartens and sheltered accommodation for the elderly or disabled persons. The GEZE TS 5000 EFS can be used with fire and smoke doors.

Product features

- ▶ Door closer EN 1155 with electro-hydraulic hold-open 24 V DC
- ▶ Guide rail with freeswing function
- ▶ Adjustable closing force size 2-5
- ▶ Optical size indicator
- ▶ Closing speed and latching action adjustable
- ▶ All functions adjustable from front
- Option: concealed power supply cable



Applications

- ▶ For single action doors, leaf width up to 1250 mm
- ▶ Can be used for right and left hand doors without adjustment
- ▶ For smoke and fire doors (a mounting plate is usually required)
- ▶ Mounting on hinge side / door mount or mounting on hinge side / frame mount is possible

Specification text

GEZE Overhead door closer TS 5000 EFS 24 V DC to be mounted to smoke and fire doors, with guide rail, with freeswing function, which can be activated via the electro-hydraulic hold-open by opening the door once to approx. 90°, adjustable closing force size 2-5 in accordance with EN 1155, closing speed and latching action, with visual size indicator,
() mounting on hinge side / door mount
() mounting on hinge side / frame mount with mounting plate.

Colour:

- () silver
- () RAL ...

GEZE circuit breaker

- () surface-mounted
- () flush-mounted

Note:

The GEZE TS 5000 EFS has Building Regulation approval for several different actuation devices.

Notice guidelines of DIBt.

Standard version/package

TS 5000 EFS comprising:
TS 5000 EFS closer complete with guide rail EFS, mounting material and fitting template (mounting plate not included)

Note:

Due to the guideline for determination plants of the DIBt (German Institution for Construction Technology) a circuit breaker is cogently stipulated when using a door closer with freeswing function.



GEZE TS 5000 EFS

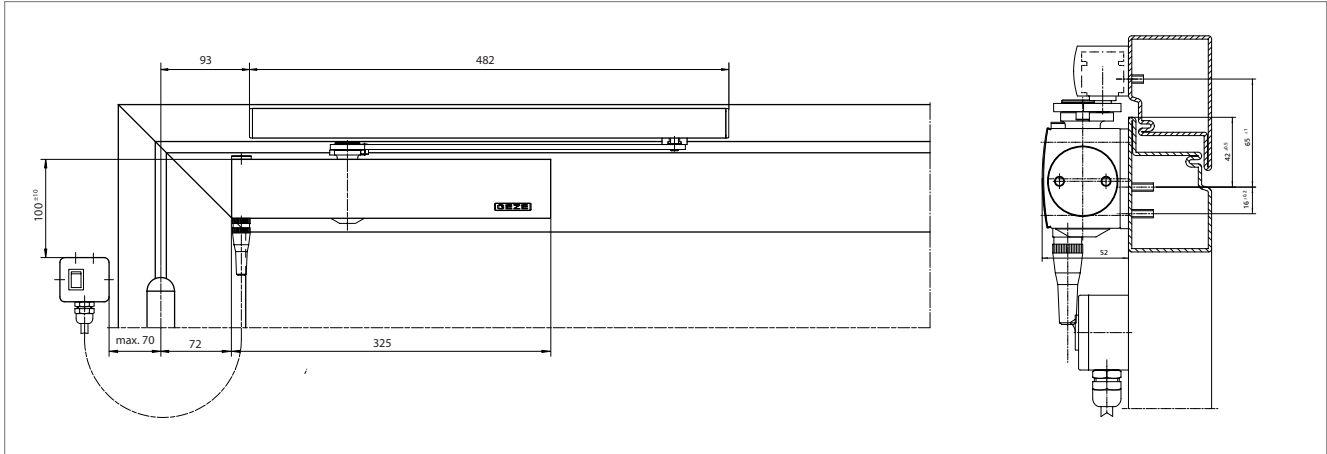


Fig. 50-1

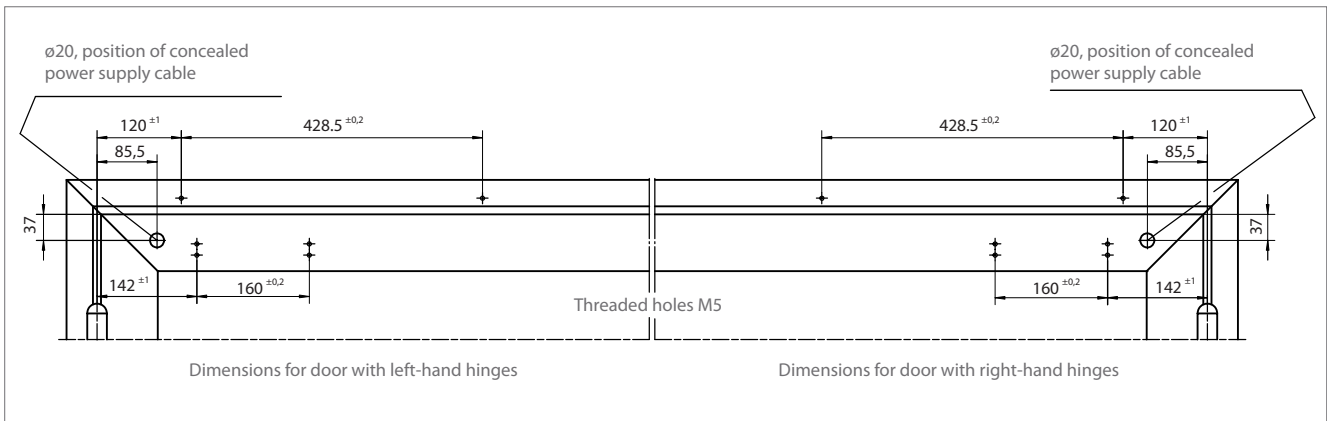


Fig. 50-2

Mounting on hinge side / door mount

Example showing the mounting of GEZE TS 5000 EFS with mounting plate on a fire door, see Fig. 50-1

Mounting with mounting plate

Mounting dimensions for right-hand and left-hand door, see Fig. 50-2

Mounting on hinge side / frame mount

Example showing the mounting of GEZE TS 5000 EFS with mounting plate, see Fig. 51-1

Mounting with mounting plate

Mounting dimensions for right-hand and left-hand door, see Fig. 51-2

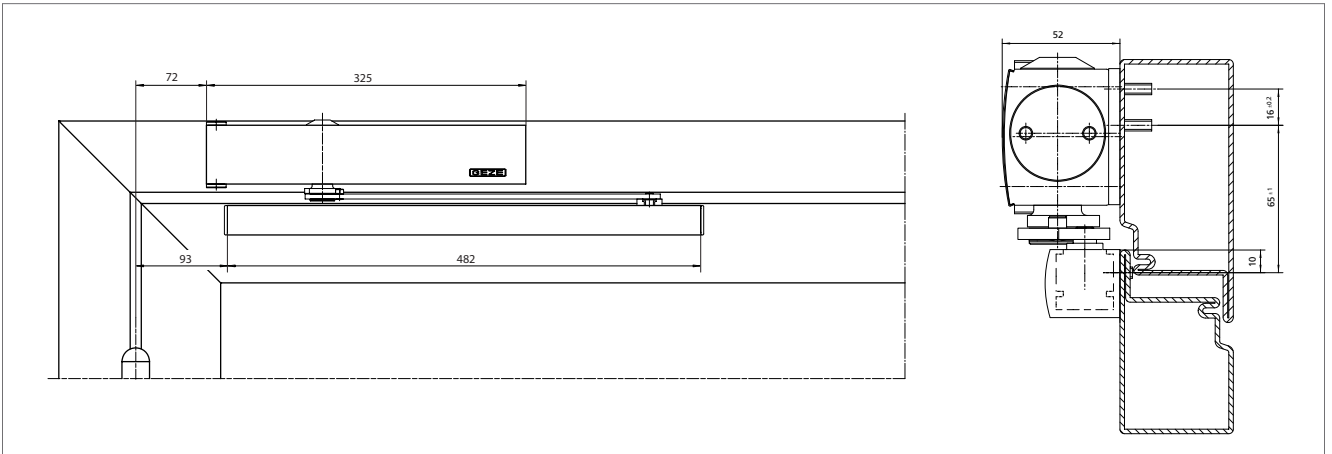


Fig. 51-1

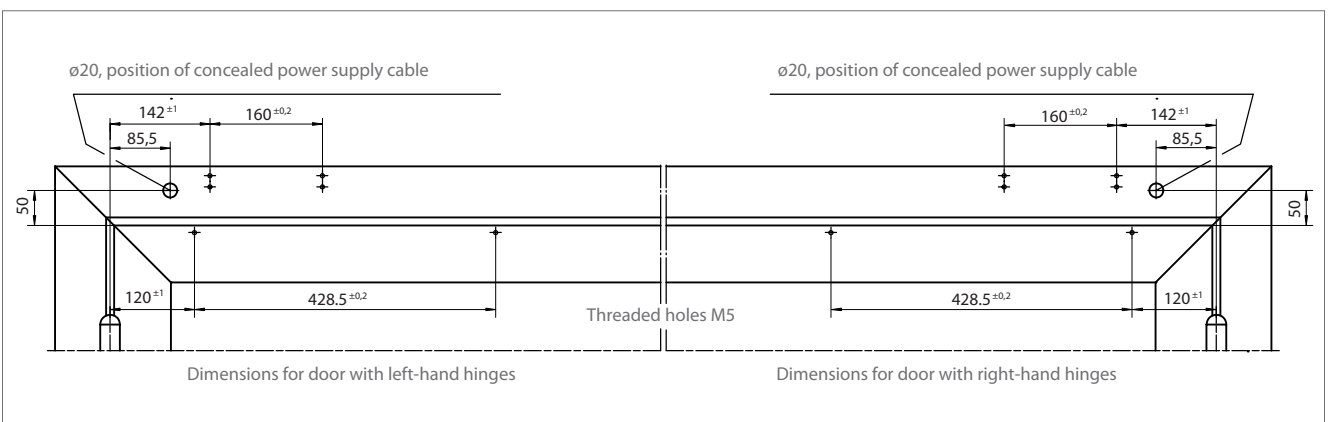


Fig. 51-2

GEZE TS 5000 EFS – Ordering information

Description	Finish	ID No.
GEZE TS 5000 EFS with guide rail, with freeswing function for mounting on hinge side / door mount	silver	095076
	white RAL 9016	107956
	RAL colour	098326
GEZE TS 5000 EFS with guide rail, with freeswing function for mounting on hinge side / frame mount	silver	093556
	white RAL 9016	107957
	RAL colour	098327
Mounting material		
Mounting plate	silver	059107
	dark bronze	059108
	RAL colour	100044

GEZE TS 5000 RFS

Overhead closer for single-leaf doors, with freeswing function and smoke switch control unit

The GEZE overhead door closer TS 5000 now features an additional function: the version TS 5000 RFS is equipped for the so-called "freeswing" function. The freeswing function is activated by opening the door once to approximately 90° (typically in the morning). This will ensure that the closer spindle is held in that position in the door closer through the electro-hydraulic hold-open mechanism. This function makes it possible to use the door without resistance from the closer, for opening and closing. In the case of fire, the door closes automatically, irrespective of the current angle of opening. The freeswing function is particularly important in hospitals, kindergartens and sheltered accommodation for the elderly or disabled persons. The GEZE TS 5000 RFS can be used with fire and smoke doors.

Product features

- ▶ Door closer EN 1155 with electro-hydraulic hold-open 24 V DC
- ▶ Guide rail with freeswing function, integrated power pack and smoke switch (autohisation-No. Z-6.5-1746), with alarm threshold and soiling indicator
- ▶ Adjustable closing force size 2-5
- ▶ Optical size indicator
- ▶ Closing speed and latching action adjustable
- ▶ All functions adjustable from front
- Option: concealed power supply cable
- ▶ Current supply mains voltage 230 V



Application

- ▶ For single action doors, leaf width up to 1250 mm
- ▶ Can be used for right and left hand doors without adjustment
- ▶ For smoke and fire doors (a mounting plate is usually required)

Specification text

GEZE Overhead door closer TS 5000 RFS 230 V AC to be mounted to smoke and fire doors, with guide rail, with freeswing function, which can be activated via the electro-hydraulic hold-open by opening the door once to approx. 90°, with integrated smoke switch control unit, closing force adjustable from the front size 2-5 according to EN 1155, closing speed and latching action, with visual size indicator, mounting on hinge side / door mount, with mounting plate.

Colour:

silver

RAL ...

GEZE circuit breaker

surface-mounted

flush-mounted

Note:

Notice guidelines of DIBt.

Standard version/package

TS 5000 RFS comprising:

TS 5000 RFS closer complete with RFS-guide rail, mounting material and fitting template (mounting plate not included)

Version TS 5000 RFS for transom mounting on hinge side/package

With this variant the door closer, smoke switch and mains adapter are placed in one housing (similar to door closer with arm GEZE TS 4000 R). The closer is complete pre-mounted and after application of the mains voltage immediately ready for use. Cable transition – concealed or surface installation – is not necessary.

Door closer GEZE TS 5000 RFS for transom mounting on hinge side, complete with guide rail and freeswing function.

Note: Due to the guideline for determination plants of the DIBt (German Institution for Construction Technology) a circuit breaker is cogently stipulated when using a door closer with freeswing function.



GEZE TS 5000 RFS · Häussler City Plaza, Stuttgart

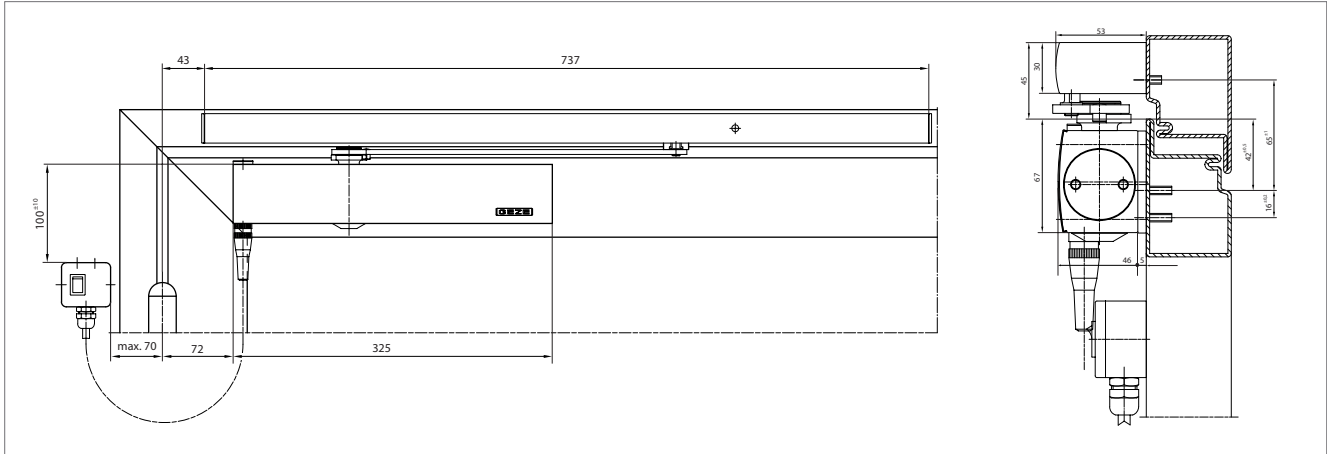


Fig. 54-1

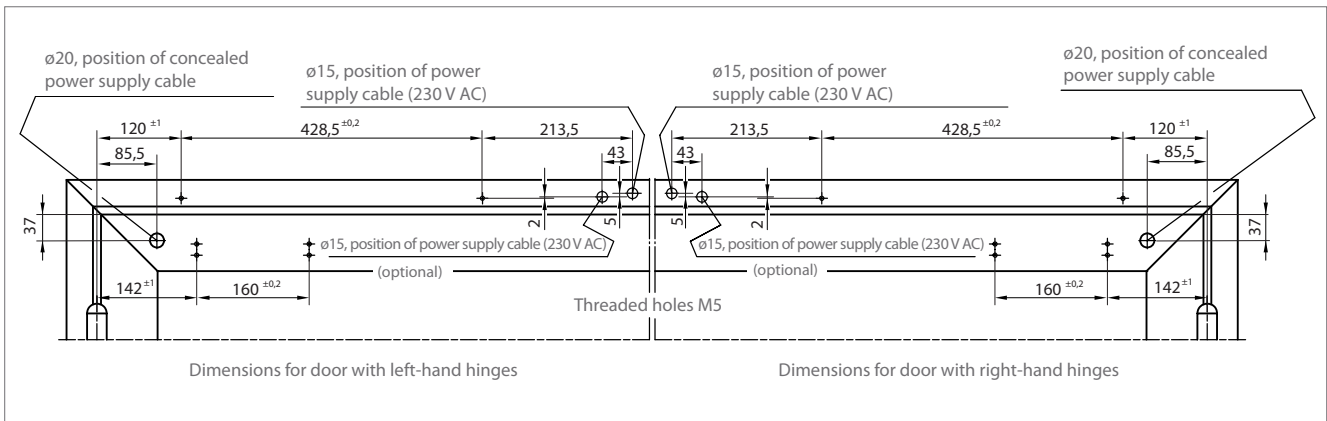


Fig. 54-2

Mounting on hinge side / door mount

Example showing the mounting of GEZE TS 5000 RFS with mounting plate on a fire door, see Fig. 54-1

Mounting with mounting plate

Mounting dimensions for right-hand and left-hand door, see Fig. 54-2

Wiring diagram for RFS-guide rail, see Fig. 54-3

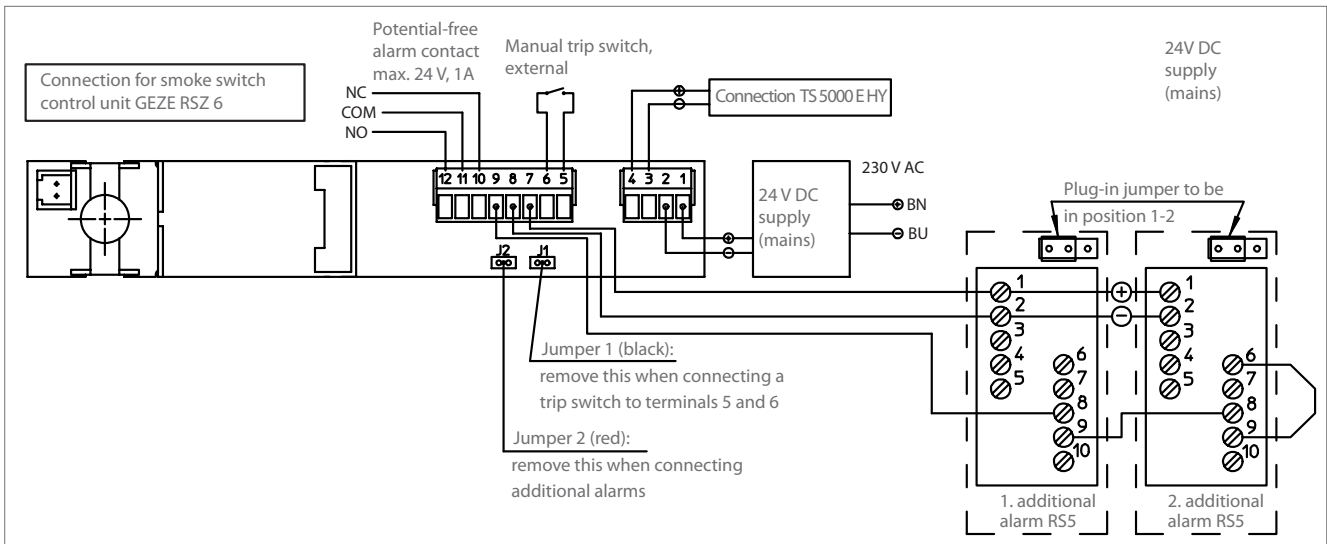


Fig. 54-3

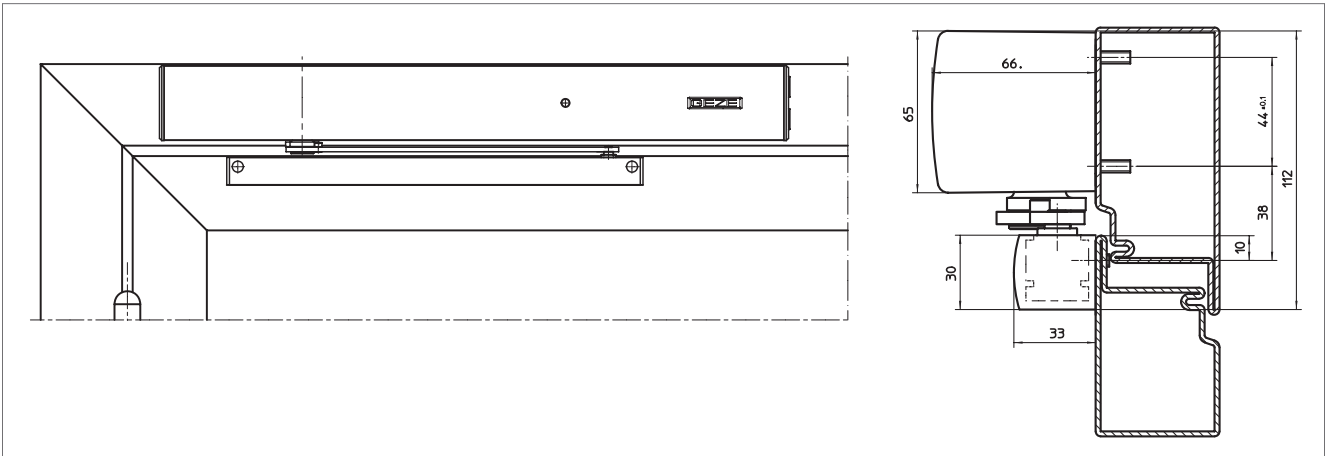


Fig. 55-1

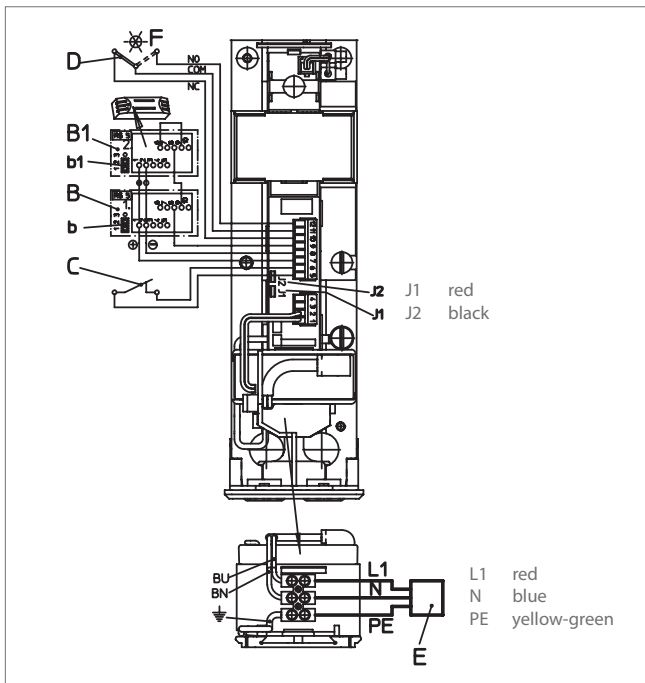


Fig. 55-2

Mounting on hinge side / transom mounting

Example showing the mounting of GEZE TS 5000 RFS (direct mounting), see Fig. 55-1

Wiring diagram

for TS 5000 RFS; transom mounting on hinge side, see Fig. 55-2

Legend:

- B, B1 Smoke switch RS5
- C Release button
- D External smoke indicator
- E Mains adapter

GEZE TS 5000 RFS – Ordering information

Description	Finish	ID No.
GEZE TS 5000 RFS with guide rail, with freeswing function for mounting on hinge side / door mount	silver	093546
	white RAL 9016	107958
	RAL colour	098328
GEZE TS 5000 RFS with guide rail, with freeswing function for mounting on hinge side / transom mounting	silver	115200
	white RAL 9016	115202
	RAL colour	115203
Mounting material		
Mounting plate	silver	059107
	RAL colour	100044
Mounting plate for RFS-guide rail	silver	100874
	RAL colour	100885

GEZE TS 5000 ISM

Overhead closer system for double-leaf doors, with integrated mechanical closing sequence control

With double-leaf doors the correct closing sequence of the two leaves is guaranteed by a closing sequence control.

Principle of operation:

The sequential closing function is provided by the moving leaf being held-open (it "waits") until the fixed leaf is closed.

Due to the GEZE overhead closer system for double-leaf doors the mechanical closing sequence control is integrated into the ISM-guide rail. As a result, a conventional door selector is no longer necessary. The closing sequence control does not negatively effect the looks of the door.

Product features

- ▶ System GEZE TS 5000 ISM comprising:
 - two overhead door closer TS 5000 with adjustable closing force size 2-6 EN 1154 (at narrow fixed leaves alternatively TS 3000 V)
 - combined with ISM-guide rail with integrated mechanical closing sequence control certified according to EN 1158

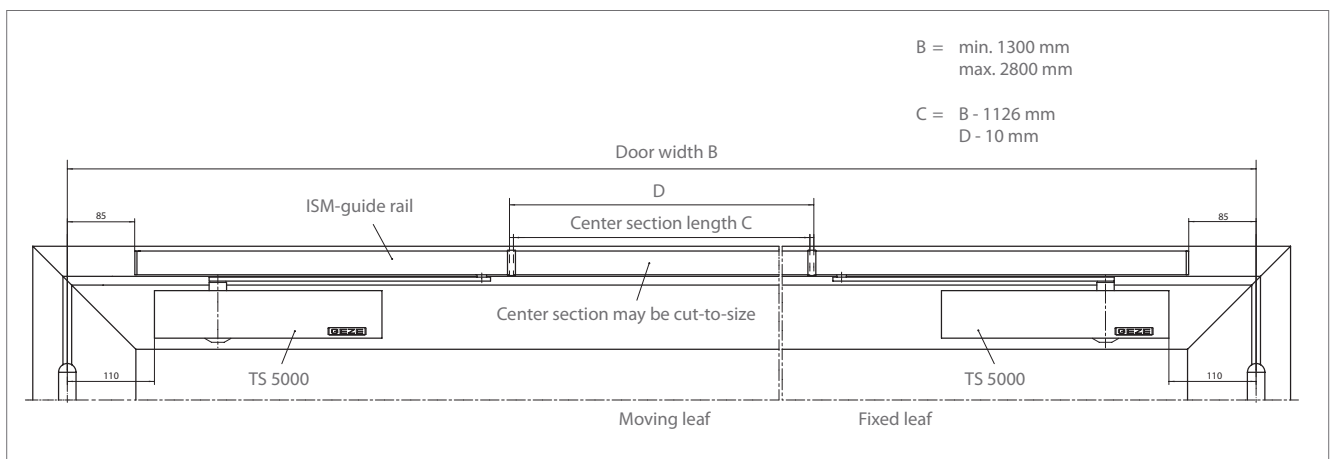


Fig. 56-1

Specification text

GEZE Overhead door closer system TS 5000 ISM to be mounted to smoke and fire doors, according to EN 1158, with integrated mechanical closing sequence control integrated into the ISM-guide rail, closing force size EN 2-6, closing speed, back check and latching action adjustable from front, with optical size indicator, standard mounting on hinge side / door mount, with mounting plate.

Colour:

- () silver
- () dark bronze
- () white
- () RAL ...

Applications

- ▶ For double-leaf doors, leaf width up to 1400 mm
- ▶ Smallest door width hinge clearance "b" = 1300 mm
Largest door width hinge clearance "b" = 2800 mm
- ▶ Footage (for hinge side only) up to 3200 mm
- ▶ Also suitable for leaves of different widths, minimum width of fixed leaf = 400 mm (minimum width of fixed leaf with TS 3000 V = 340 mm)
- ▶ For smoke and fire doors (country-specific regulations are to be considered)
- ▶ Can be used for right and left hand doors without adjustment

Standard version/package

System GEZE TS 5000 ISM comprising:
2 pcs. TS 5000 door closer complete with mounting material and fitting template (mounting plate not included)
still needed: continuous ISM-guide rail with two levers and integrated mechanical closing sequence control



Reiterkaserne, Stuttgart

Mounting on hinge side / door mount with ISM-guide rail

Direct mounting

(in Germany not permitted for use with smoke and fire doors)

Example showing the mounting of system GEZE TS 5000 ISM with on a steel door, see Fig. 56-1 and Fig. 58-1

Mounting dimensions

left hand door = moving leaf
right hand door = fixed leaf,
see Fig. 58-2

right hand door = moving leaf
leaf hand door = fixed leaf,
see Fig. 58-3

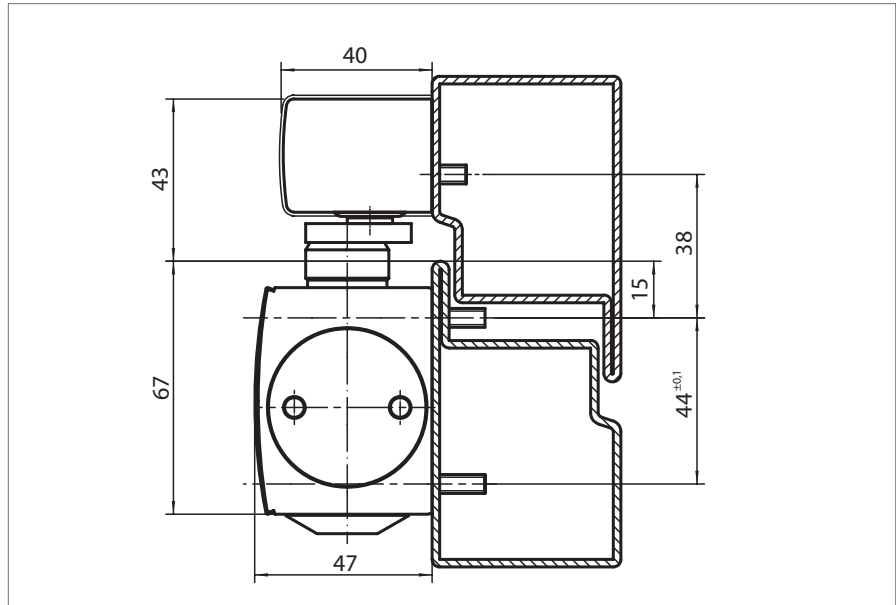


Fig. 58-1

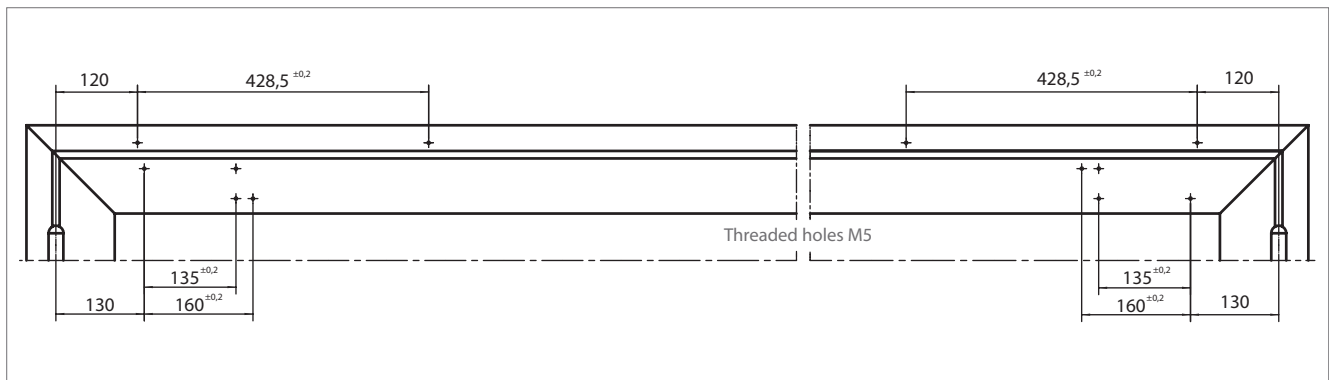


Fig. 58-2

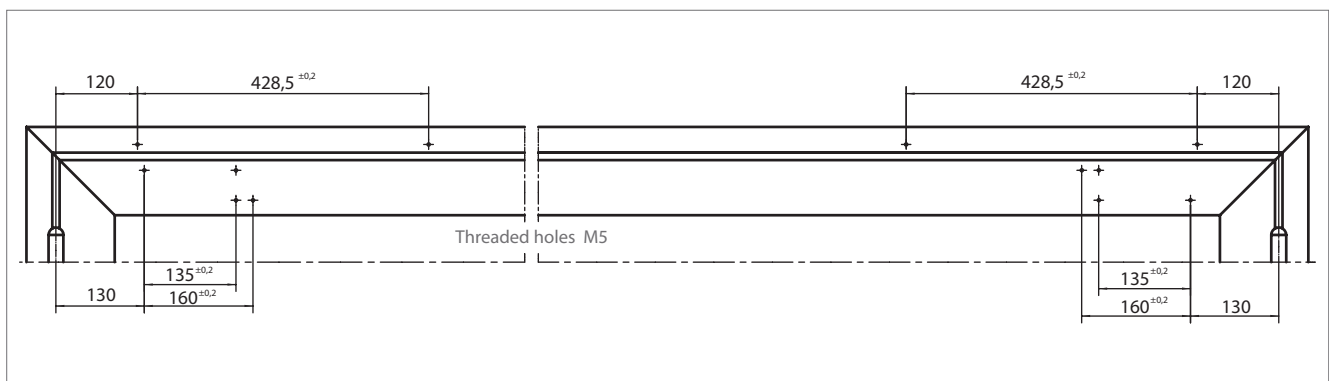


Fig. 58-3

Mounting on hinge side / door mount with ISM-guide rail

Mounting with mounting plate

Example showing the mounting of system GEZE TS 5000 ISM with mounting plate on a steel door, see Fig. 56-1 and Fig. 59-1

Mounting plate, 5 mm thick, for doors without direct closer mounting, see Fig. 59-2

Mounting dimensions

left hand door = moving leaf
right hand door = fixed leaf,
see Fig. 59-3

right hand door = moving leaf
left hand door = fixed leaf,
see Fig. 59-4

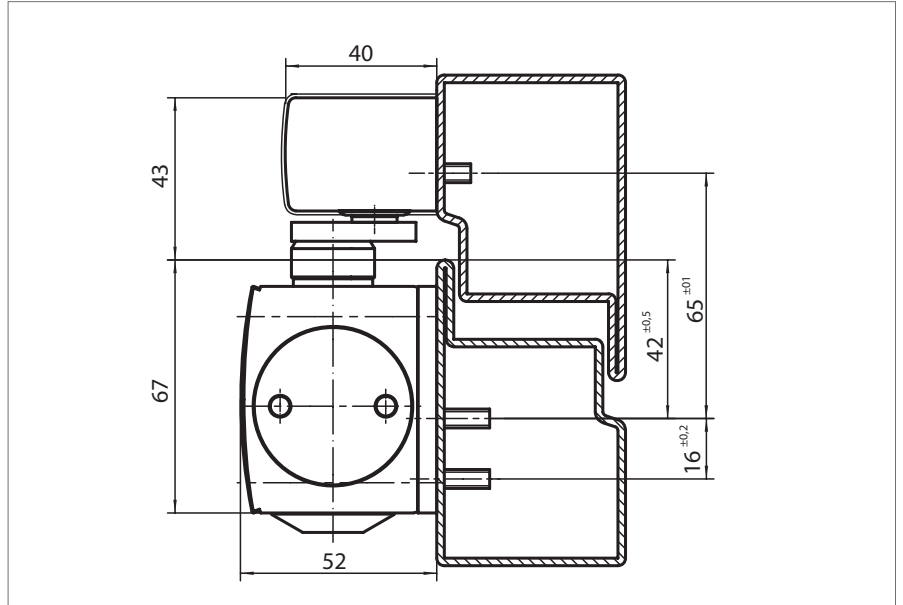


Fig. 59-1

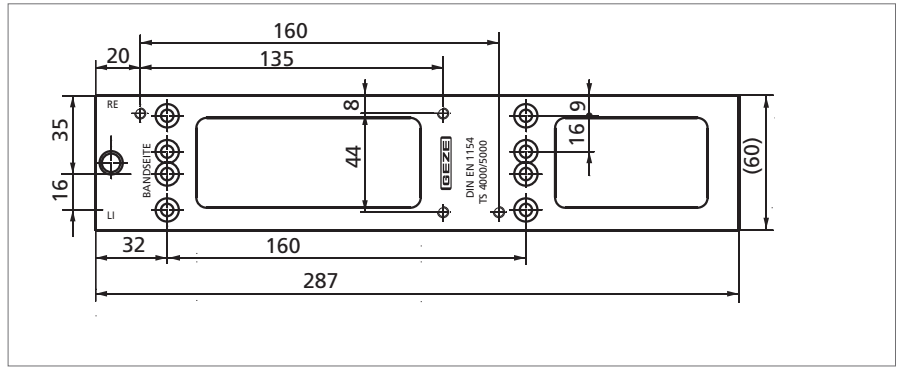


Fig. 59-2

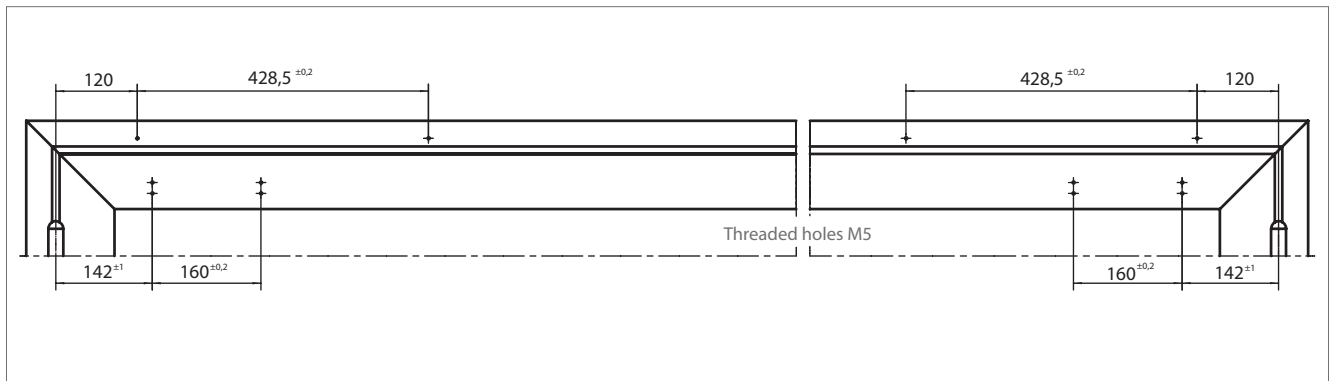


Fig. 59-3

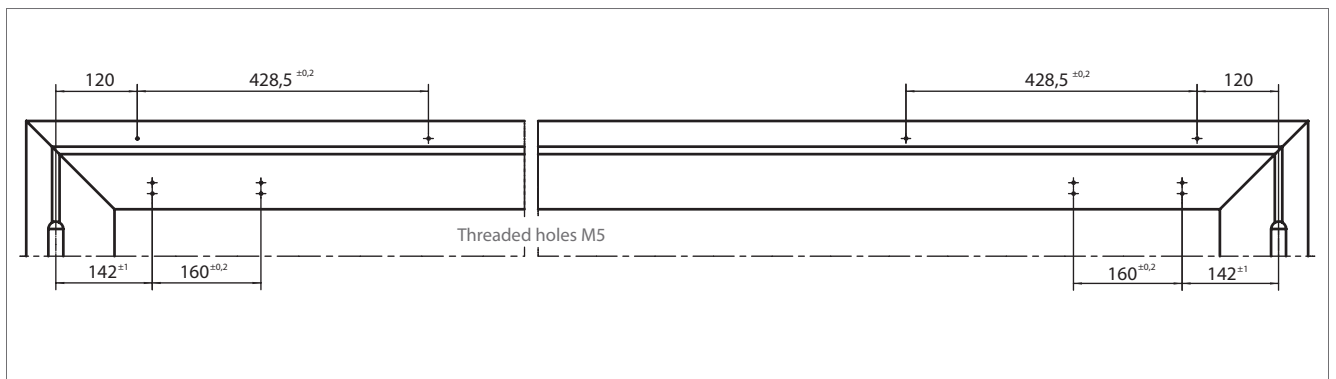


Fig. 59-4

GEZE TS 5000 ISM – Ordering information

Description	Finish	ID No.
GEZE TS 5000, size 2-6 Door closer without guide rail, without lever	silver	027333
	dark bronze	027334
	white RAL 9016	027335
	RAL colour	027336
ISM-guide rail with integrated mechanical closing sequence control for mounting on hinge side	silver	115549
	dark bronze	115550
	white RAL 9016	115591
	stainless steel effect ²⁾	115592
	RAL colour	115593
ISM-guide rail, footage up to 3200 mm	silver	115598
	RAL colour	115599
Mechanical hold-open for ISM-guide rail ¹⁾		118437
Mounting material		
Mounting plate for doors without direct closer mounting	silver	049185
	dark bronze	052351
	white RAL 9016	068627
	galvanised steel	057956
	RAL colour	029176
Mounting plate for ISM-guide rail	silver	118702
	RAL colour	118703
Accessories		
Cover caps (only suitable for mounting on door leaf)	silver	067724
	dark bronze	067725
	white RAL 9016	067726
	polished brass	072698
	stainless steel	072696
	RAL colour	000756

¹⁾ not for use on fire doors

²⁾ finish stainless steel effect for dry rooms only

GEZE TS 5000 L-ISM

Overhead closer system for double-leaf doors,
with integrated mechanical closing sequence control,
standard mounting on opposite hinge side / door mount

Product features

- System GEZE TS 5000 L-ISM solution comprising:
 - two overhead door closer TS 5000 L with adjustable closing force size 2-6 EN 1154
 - combined with ISM-guide rail BG with integrated mechanical closing sequence control certified according to EN 1158
 - for mounting on opposite hinge side

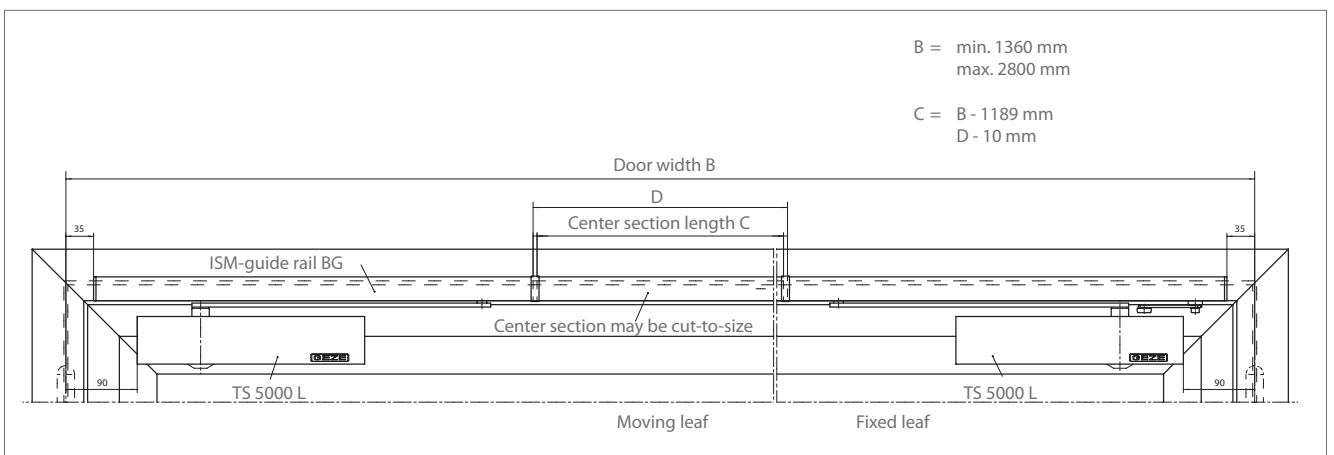


Fig. 61-1

Specification text

GEZE Overhead door closer system TS 5000 L-ISM to be mounted to smoke and fire doors, size 2-6 in accordance to EN 1158, with continuous guide rail BG, with integrated mechanical closing sequence control, closing force adjustable from front, as well as closing speed and latching action, with visual size indicator, mounting on opposite hinge side / door mount, with mounting plate.

Colour:

- () silver
- () dark bronze
- () white
- () RAL ...

Applications

- ▶ For double-leaf doors, leaf width max. 1400 mm
- ▶ Smallest door width hinge clearance "b" = 1360 mm
Largest door width hinge clearance "b" = 2800 mm
- ▶ Also suitable for leaves of different widths, minimum width of fixed leaf = 380 mm
- ▶ For smoke and fire doors
(country-specific regulations are to be considered)
- ▶ Can be used for right and left hand doors without adjustment

Standard version/package

System GEZE TS 5000 L-ISM comprising:

2 pcs. TS 5000 L door closer complete with mounting material and fitting template (mounting plate not included)
still needed: continuous ISM-guide BG rail with two levers and integrated mechanical closing sequence control



LBBW Landesbank Baden-Württemberg, Stuttgart

Mounting on opposite hinge side / door mount with ISM-guide rail BG

Mounting with mounting plate

Example showing the mounting of system GEZE TS 5000 L-ISM on a fire door, see Fig. 61-1 and Fig. 63-1

Mounting plate, 5 mm thick, hole pattern according to DIN EN 1154 supplement 1, see Fig. 63-2

Mounting dimensions

right hand door = moving leaf
left hand door = fixed leaf,
see Fig. 63-3

left hand door = moving leaf
right hand door = fixed leaf,
see Fig. 63-4

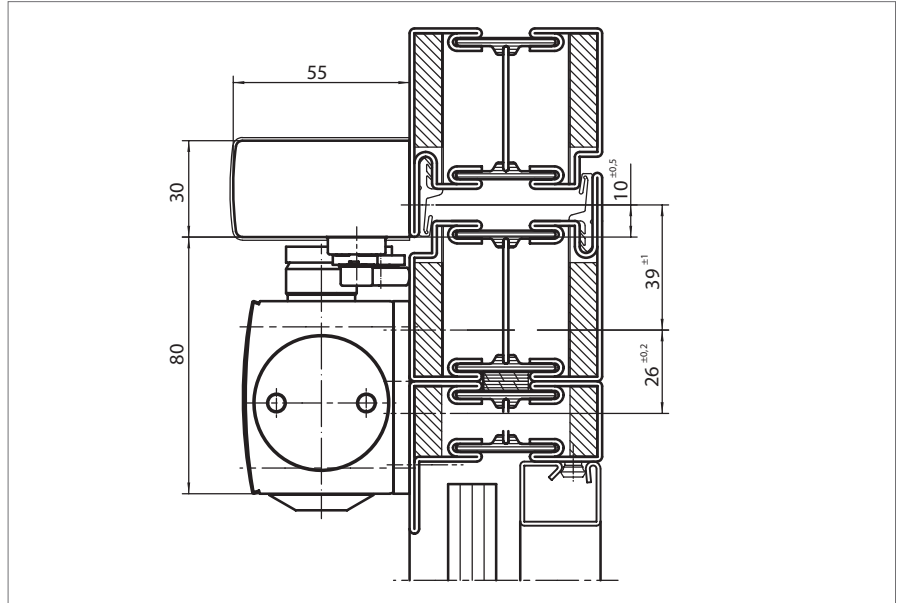


Fig. 63-1

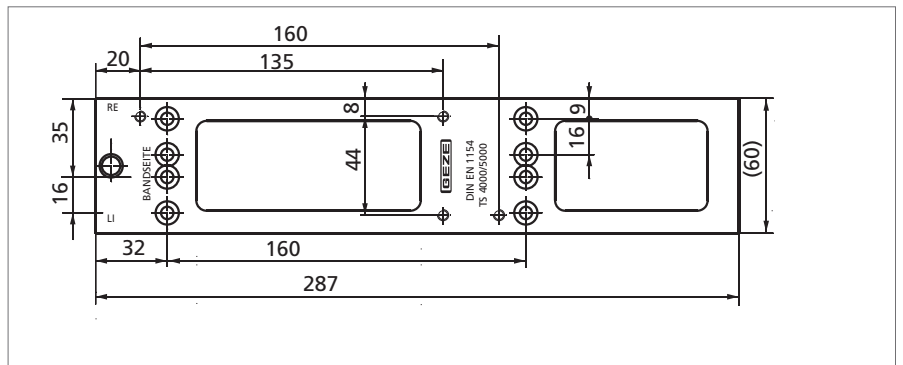


Fig. 63-2

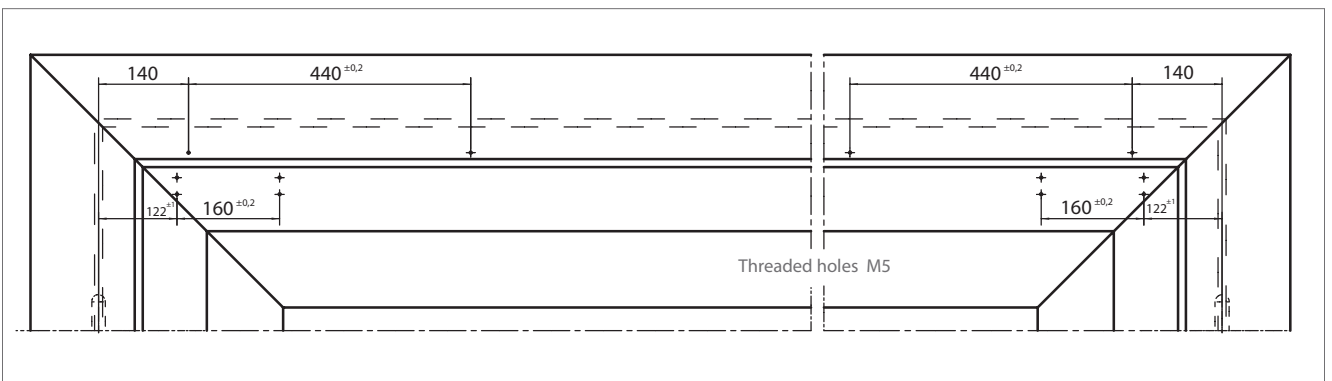


Fig. 63-3

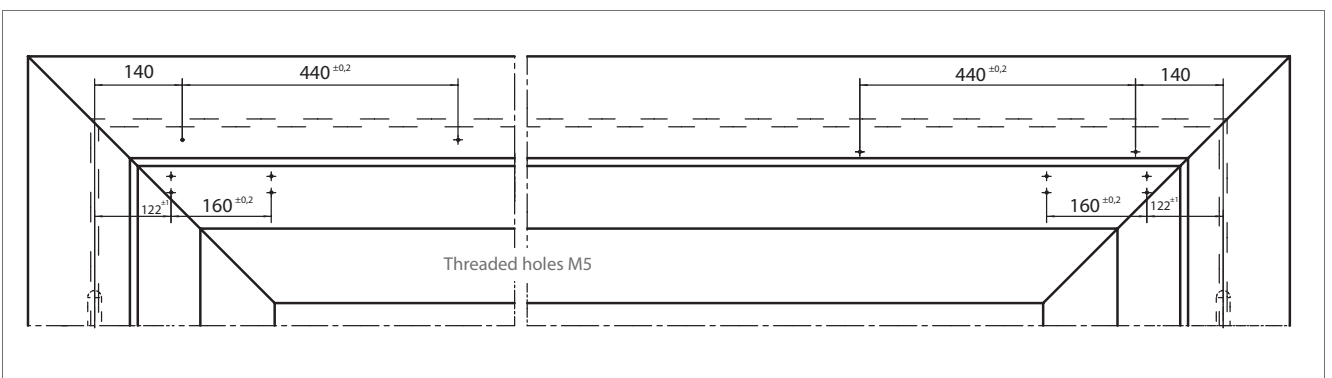


Fig. 63-4

GEZE TS 5000 L-ISM – Ordering information

Description	Finish	ID No.
GEZE TS 5000 L, size 2-6 Door closer without guide rail, without lever	silver	027351
	dark bronze	029399
	white RAL 9016	029400
	RAL colour	027352
ISM-guide rail BG with integrated mechanical closing sequence control for mounting on opposite hinge side	silver	115594
	white RAL 9016	115595
	stainless steel effect ²⁾	115596
	RAL colour	115597
Mechanical hold-open for ISM-guide rail ¹⁾		118437
Mounting material		
Mounting plate for doors without direct closer mounting	silver	049185
	dark bronze	052351
	white RAL 9016	068627
	galvanised steel	057956
	RAL colour	029176
Mounting plate for ISM-guide rail BG	silver	118704
	RAL colour	118705
Mounting bracket for ISM-guide rail BG	silver	118706
	RAL colour	118707
Accessories		
Cover caps (only suitable for mounting on door leaf)	silver	067724
	dark bronze	067725
	white RAL 9016	067726
	polished brass	072698
	stainless steel	072696
	RAL colour	000756

¹⁾ not for fire doors

²⁾ finish stainless steel effect for dry rooms only

GEZE TS 5000 E-ISM

Overhead closer system for double-leaf doors, with integrated mechanical closing sequence control and electromechanical hold-open on both sides

The system GEZE TS 5000 E-ISM contains electromechanical hold-open devices for both door leaves and an integrated closing sequence control for both door leaves. The door leaves are in open position with engaged hold-open devices when the door is going to be closed. The sequential closing function is provided by the moving leaf, which starts the closing of the fixed leaf and being held-open (it "waits") until the fixed leaf is closed.

Product features

- ▶ System GEZE TS 5000 E-ISM comprising:
 - two pcs. TS 5000 door closer with adjustable closing force size 2-6 EN 1154 (at narrow fixed leaves alternatively TS 3000 V) combined with E-ISM guide rail with integrated mechanical closing sequence control certified according to EN 1158 and electromechanical hold-open according to EN 1155 on both sides
- ▶ Electromechanical hold-open in guide rail, hold-open angle infinitely variable between 80°-130°
- ▶ Hold-open position can be overridden
- ▶ The hold-open can be adjusted and therefore the hold-open may even be disabled
- ▶ Approved for recognised smoke protection system GEZE RSZ 5 and RSZ 6 from DIBt

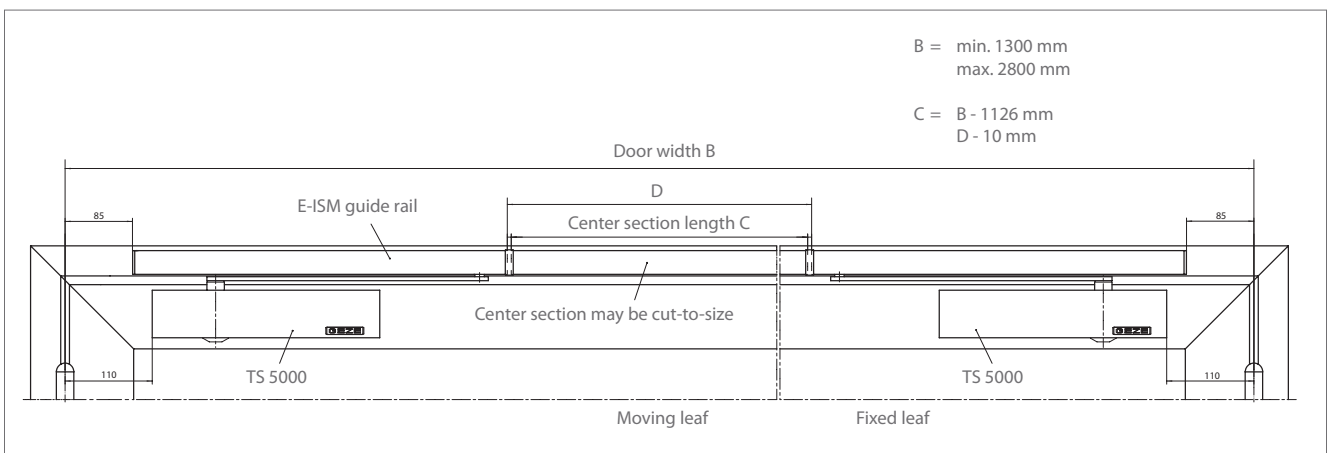


Fig. 65-1

Specification text

GEZE Overhead door closer system TS 5000 E-ISM 24 V DC, 2 x 100mA, to be mounted to smoke and fire doors, according to EN 1158, with continuous guide rail, overall height 30 mm, with integrated mechanical closing sequence control, with electromechanical hold-open, infinitely variable between approx. 80° to 130° to an exact position according to EN 1155, hold-open can be adjusted, hold-open position can be overridden, closing force EN size 2-6 adjustable from front, closing speed and latching action adjustable from front, with visual size indicator, standard mounting on hinge side / door mount, with mounting plate.

Colour:

- () silver
- () dark bronze
- () white
- () RAL ...

Note:

The GEZE TS 5000 E-ISM has Building Regulation approval for several different actuation devices.

Notice guidelines of DIBt.

Applications

- ▶ For double-leaf doors, leaf width max. 1400 mm
- ▶ Smallest door width hinge clearance "b" = 1300 mm
Largest door width hinge clearance "b" = 2800 mm
- ▶ Footage (for hinge side only) up to 3200 mm
- ▶ Also suitable for leafs of different widths;
minimum width of fixed leaf = 400 mm
(smallest fixed leaf with TS 3000 V = 340 mm)
- ▶ For smoke and fire doors
(country-specific regulations are to be considered)
- ▶ Can be used for right and left hand doors without adjustment

Standard version/package

System GEZE TS 5000 E-ISM comprising:

2 pcs. TS 5000 door closer complete with mounting material and fitting template (mounting plate not included)

komplett mit Montagmaterial und Anschlagschablone (Montageplatte nicht enthalten)

still needed: continuous E-ISM guide rail with two levers and integrated mechanical closing sequence control and electro-mechanical hold-open on both sides

▶ Version GEZE TS 5000 E-ISM/G

with electromechanical hold-open on the moving leaf



Ballhausforum, Unterschleißheim

Mounting on hinge side / door mount with E-ISM guide rail

Direct mounting

(in Germany not permitted for use with smoke and fire doors)

Example showing the mounting of system GEZE TS 5000 E-ISM on a steel door, see Fig. 65-1 and Fig. 67-1

Mounting dimensions

left hand door = moving leaf
right hand door = fixed leaf,
see Fig. 67-2

right hand door = moving leaf
left hand door = fixed leaf,
see Fig. 67-3

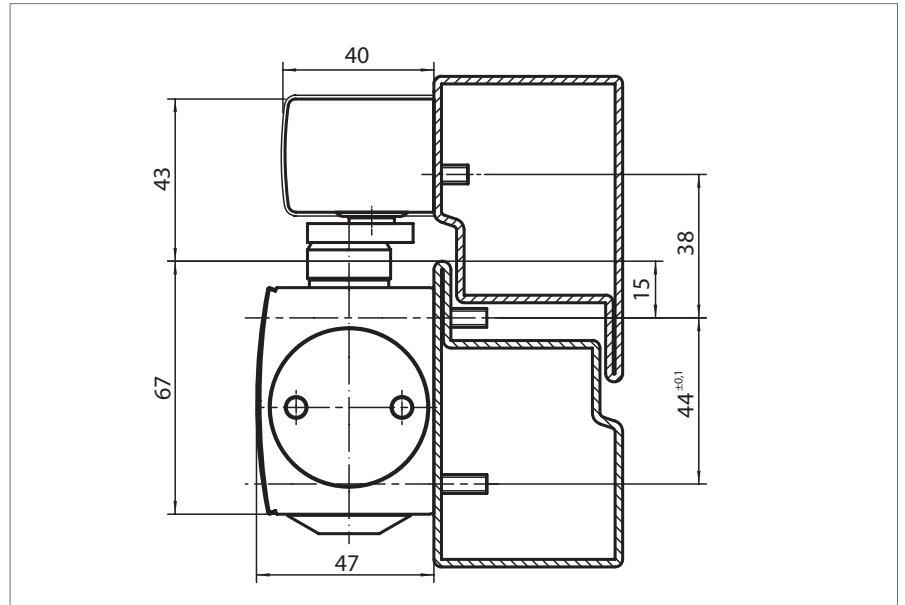


Fig. 67-1

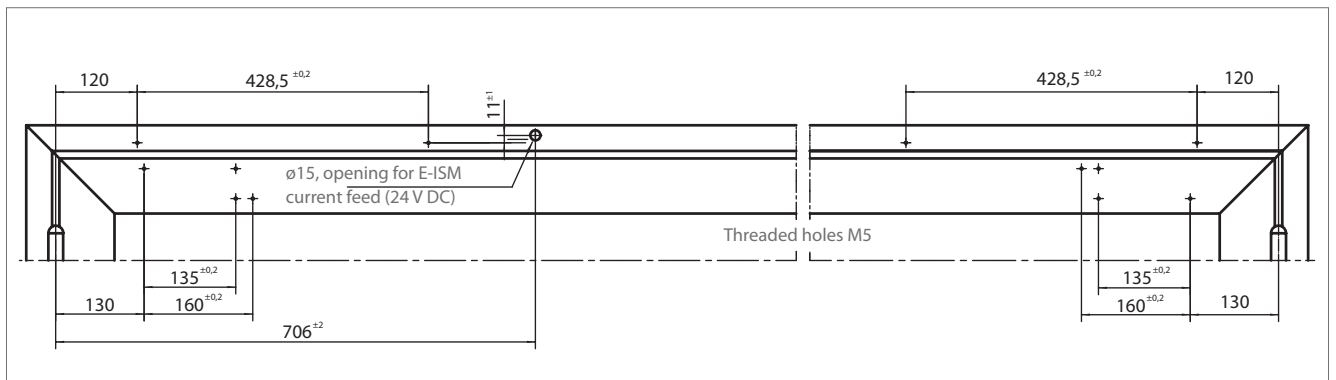


Fig. 67-2

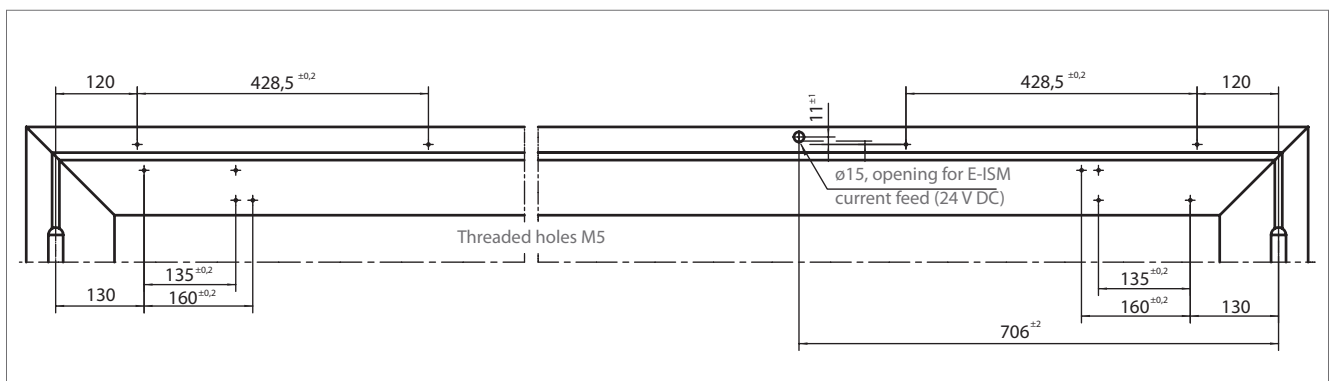


Fig. 67-3

Mounting on hinge side / door mount with E-ISM guide rail

Mounting with mounting plate

Example showing the mounting of system GEZE TS 5000 E-ISM with mounting plate on a steel door, see Fig. 65-1 and Fig. 68-1

Mounting plate, 5 mm thick, hole pattern according to DIN EN 1154 supplement 1, for doors without direct closer mounting, see Fig. 68-2

Mounting dimensions

left hand door = moving leaf
right hand door = fixed leaf,
see Fig. 68-3

right hand door = moving leaf
left hand door = fixed leaf,
see Fig. 68-4

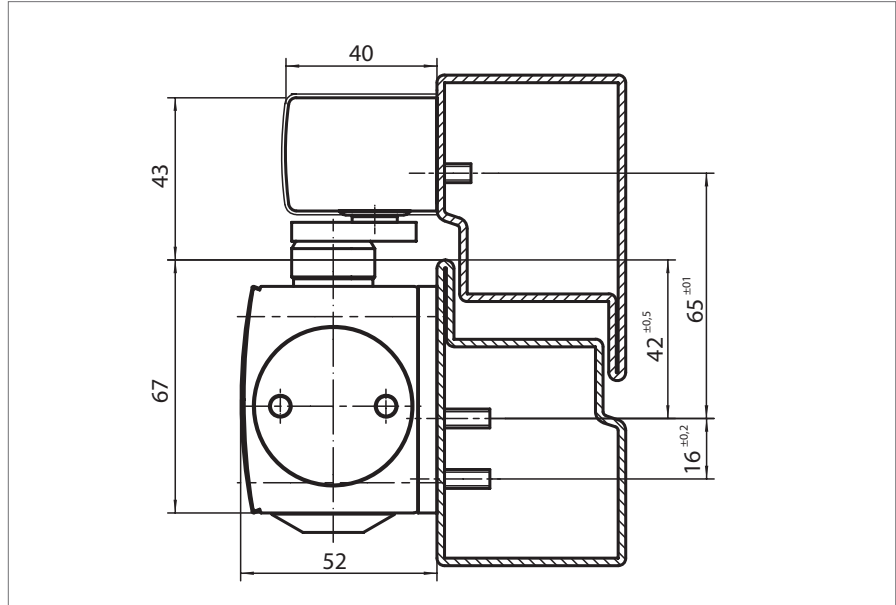


Fig. 68-1

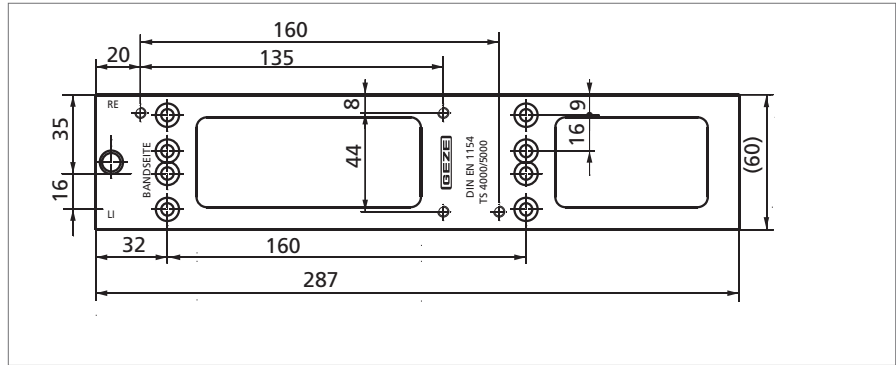


Fig. 68-2

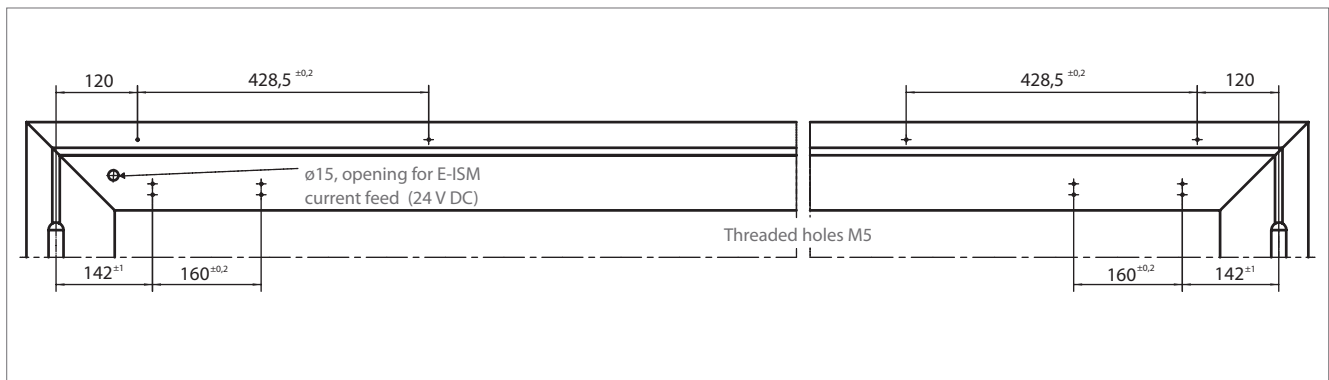


Fig. 68-3

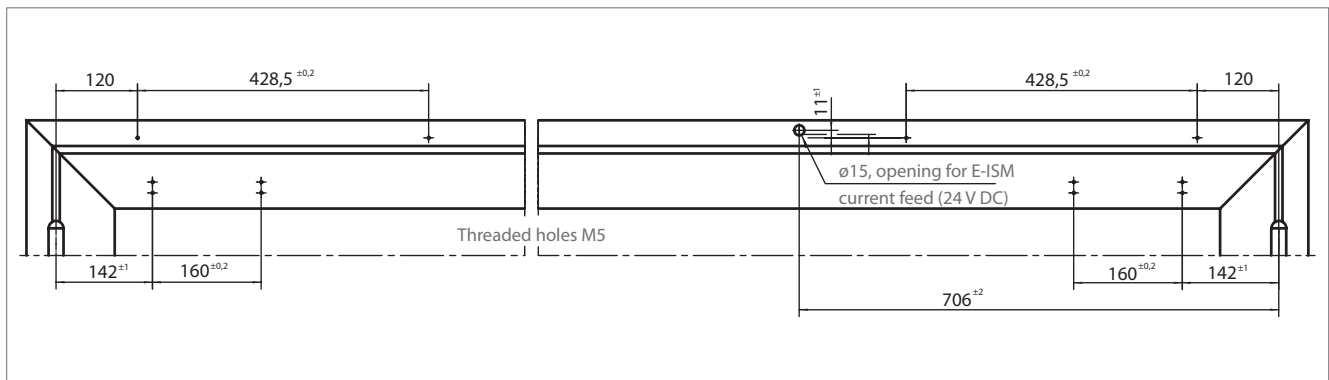


Fig. 68-4

Electrical installation

The system GEZE TS 5000 E-ISM must be connected to a 24 V DC direct voltage supply to allow the door to be held open.

Function

- ▶ Voltage applied to guide rail = door held open
- ▶ No voltage applied or switched off = door not held open and closes automatically
- ▶ The door can be closed manually at any time regardless of whether or not voltage is being applied.

Electrical data

- ▶ Operating voltage 24 V DC $\pm 10\%$
- ▶ Connected load 200 mA
- ▶ Max. permissible residual ripple 20%
- ▶ Rating 100%
- ▶ Enclosure rating IP 43 (for interior use only)

Connection

The power supply cable (max. cross section 0,8 mm²) from the fire detector control unit (24 V DC) is fixed in the terminal of the guide rail with the microswitch for moving leaf. See the wiring diagram E-ISM, Fig. 69-1

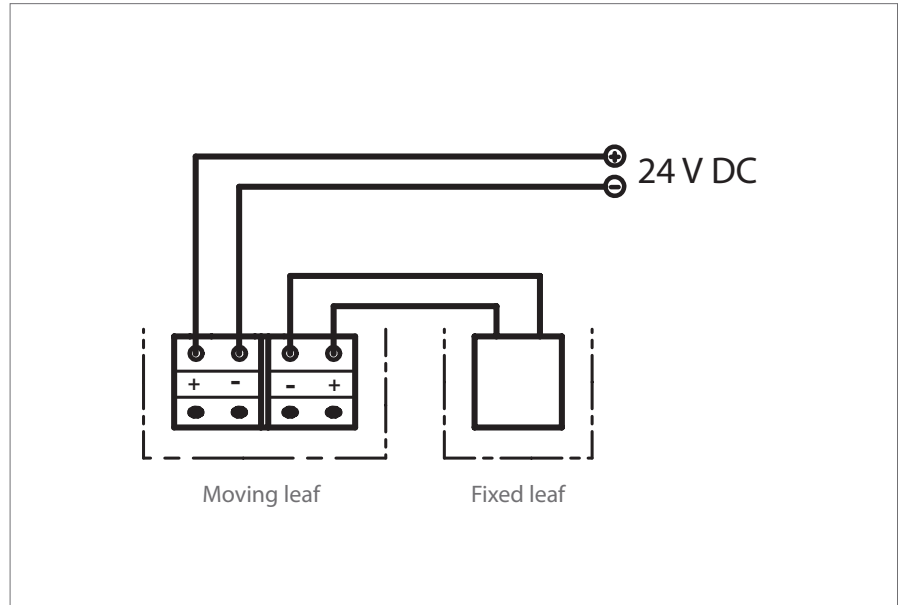


Fig. 69-1

GEZE TS 5000 E-ISM – Ordering information

Description	Finish	Id. Nr.
GEZE TS 5000, size 2-6 Door closer without guide rail, without lever	silver	027333
	dark bronze	027334
	white RAL 9016	027335
	RAL colour	027336
E-ISM guide rail with integrated mechanical closing sequence control and electromechanical hold-open on both sides	silver	115600
	dark bronze	115601
	white RAL 9016	115602
	stainless steel effect ¹⁾	115603
	RAL colour	115604
E-ISM guide rail footage up to 3200 mm	silver	115612
	RAL colour	115613
E-ISM/G guide rail, with electromechanical hold-open on the moving leaf	silver	115605
	stainless steel effect ¹⁾	115606
	RAL colour	115607
Mounting material		
Mounting plate for doors without direct closer mounting	silver	049185
	dark bronze	052351
	white RAL 9016	068627
	galvanised steel	057956
	RAL colour	029176
Mounting plate for E-ISM guide rail	silver	118702
	RAL colour	118703
Accessories		
Cover caps (only suitable with mounting on door leaf)	silver	067724
	dark bronze	067725
	white RAL 9016	067726
	polished brass	072698
	stainless steel	072696
	RAL colour	000756

¹⁾ finish stainless steel effect for dry rooms only

GEZE TS 5000 ISM-EFS

Overhead closer system for double-leaf doors, with integrated mechanical closing sequence control and freeswing-function at the moving leaf

Due to the system GEZE TS 5000 ISM-EFS with help of the ISM-EFS guide rail as well as overhead door closer TS 5000 E Hy at the moving leaf a freeswing-function can be realised. The freeswing function is activated by opening the door once to approximately 90°. The fixed leaf ist self-closing via the overhead door closer TS 5000. The sequential closing function is provided by the ISM-guide rail with integrated mechanical closing sequence control.

Product features

- ▶ System GEZE TS 5000 ISM-EFS comprising:
 - an overhead door closer TS 5000 E Hy size 2-5 EN 1154 installed on the moving leaf and a TS 5000 size 2-6 EN 1154 which is mounted on the fixed leaf; combined with ISM-EFS guide rail with integrated mechanical closing sequence control certified according to EN 1158 and freeswing-function at the moving leaf which is activated by opening the door once to approx. 90°.
- ▶ Closing force, closing speed and latching action adjustable
- ▶ All functions adjustable from front
- ▶ With visual size indicator
- ▶ Still needed: smoke switch control unit RSZ6 as well as a circuit breaker

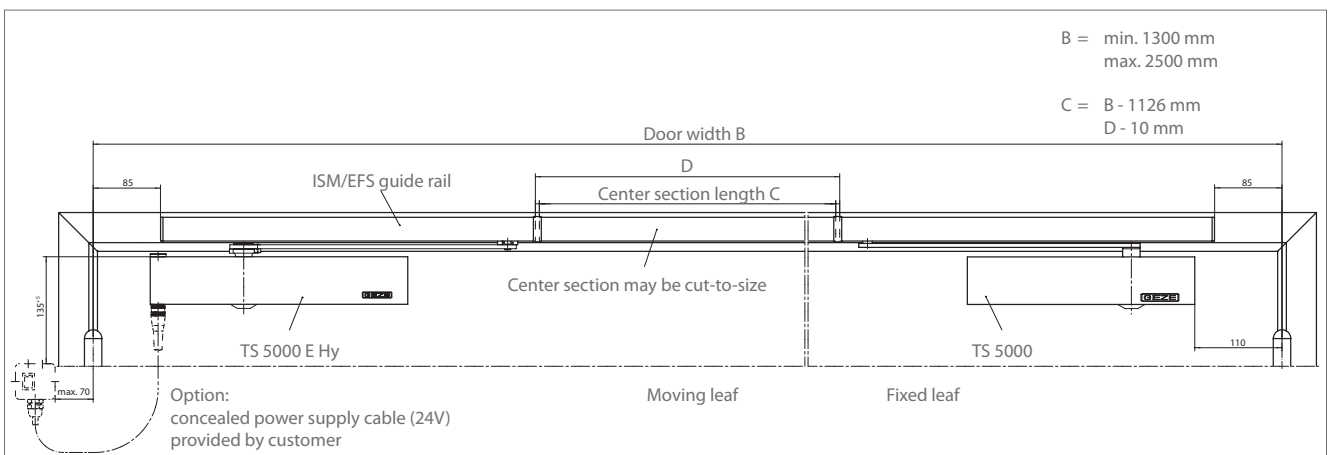


Fig. 71-1

Specification text

GEZE Overhead door closer system TS 5000 ISM EFS 24 V DC, to be mounted to smoke and fire doors, with guide rail ISM-EFS with integrated mechanical closing sequence control according to EN 1158 and freeswing-function at the moving leaf which is activated by opening the door once to approx. 90°, adjustable closing force size 2-5 according to EN 1154, closing speed and latching action, all functions adjustable from front, with visual size indicator, standard mounting on hinge side / door mount, with mounting plate, building regulation approval in combination with smoke switch control unit RSZ 6 and RSZ 5 is requested at the DIBt

Colour:

- silver
- RAL ...

GEZE circuit breaker:

- surface-mounted (AP)
- flush-mounted (UP)

Notice guidelines of the DIBt.

Applications

- ▶ Smallest door width hinge clearance "b" = 1300 mm
Largest door width hinge clearance "b" = 2500 mm
- ▶ Also suitable for leaves of different widths,
minimum width of fixed leaf = 400 mm
Maximum width of moving leaf = 1250 mm
- ▶ For smoke and fire doors
(country-specific regulations are to be considered)
- ▶ Can be used for right and left hand doors without adjustment

Standard version/package

System GEZE TS 5000 ISM-EFS comprising:

1 pcs. overhead door closer TS 5000 E Hy and 1 pcs overhead door closer TS 5000 complete with mounting material and fitting template (mounting plate not included)

still needed: ISM-EFS guide rail with integrated mechanical closing sequence control and freeswing-function at the moving leaf, smoke switch control unit RSZ 6 and circuit breaker

Note:

Due to the guideline for determination plants of the DIBt (German Institution for Construction Technology) a circuit breaker is cogently stipulated when using a door closer with freeswing function.

Mounting on hinge side / door mount with ISM EFS guide rail

Direct mounting

(in Germany not permitted for use with smoke and fire doors)

Example showing the mounting of system GEZE TS 5000 ISM-EFS on a double-leaf timber door, see Fig. 71-1 and Fig. 73-1

Mounting dimensions

left hand door = moving leaf
right hand door = fixed leaf,
see Fig. 73-2

right hand door = moving leaf
left hand door = fixed leaf,
see Fig. 73-3

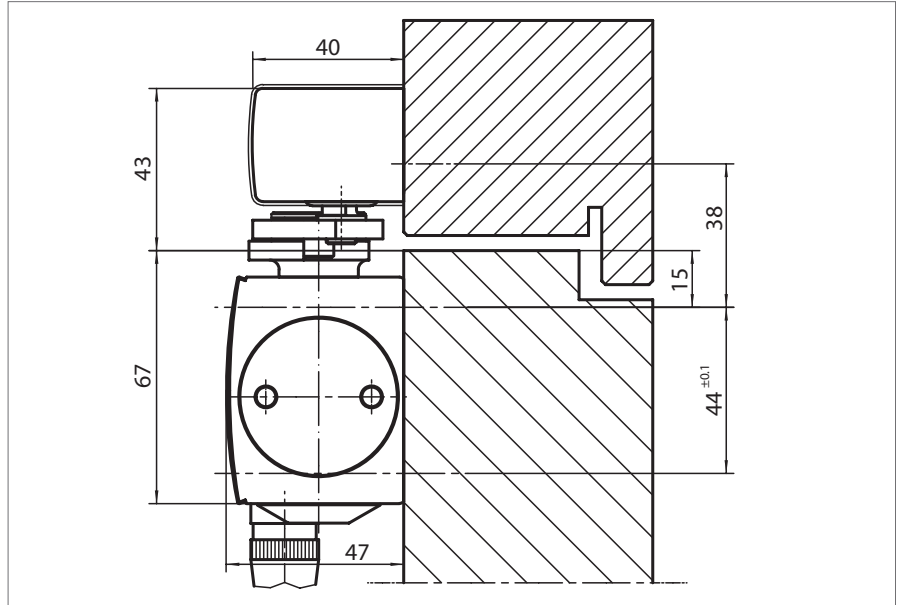


Fig. 73-1

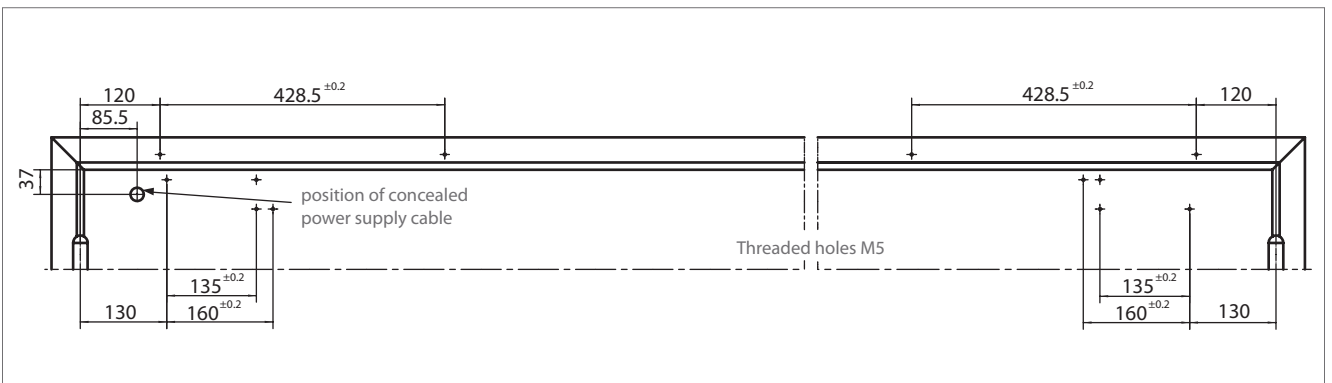


Fig. 73-2

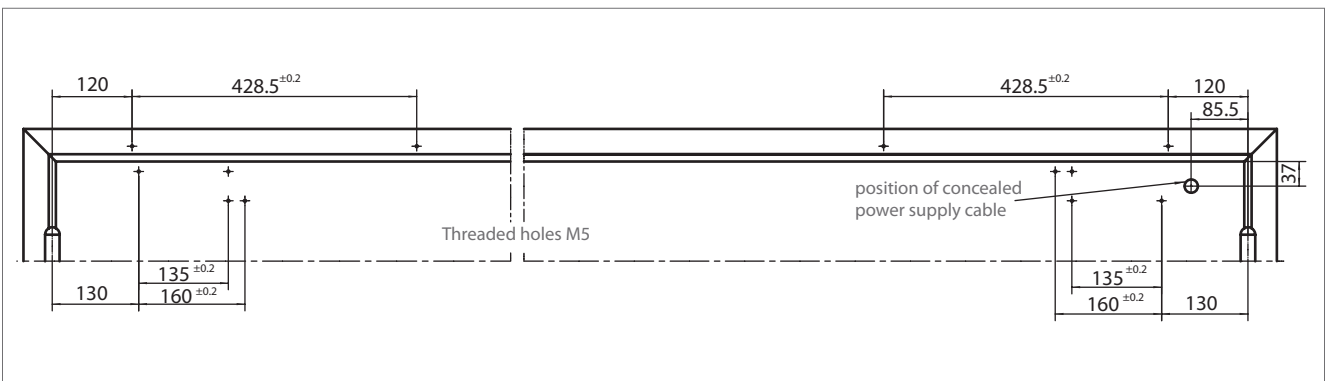


Fig. 73-3

Mounting on hinge side / door mount with ISM EFS guide rail

Mounting with mounting plate

Example showing the mounting of system GEZE TS 5000 ISM EFS with mounting plate on a double-leaf timber door, see Fig. 71-1 and Fig. 74-1

Mounting dimensions

left hand door = moving leaf
right hand door = fixed leaf,
see Fig. 74-2

right hand door = moving leaf
left hand door = fixed leaf,
see Fig. 74-3

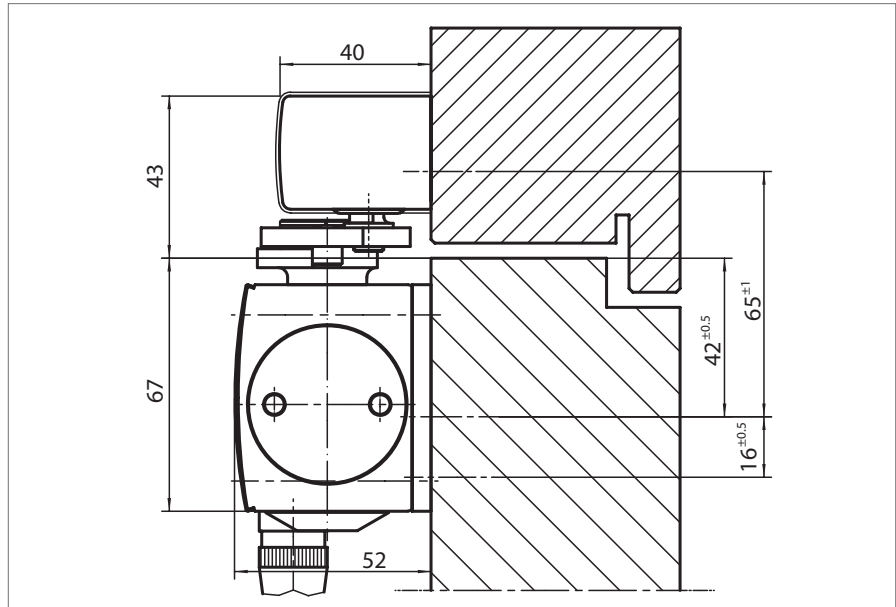


Fig. 74-1

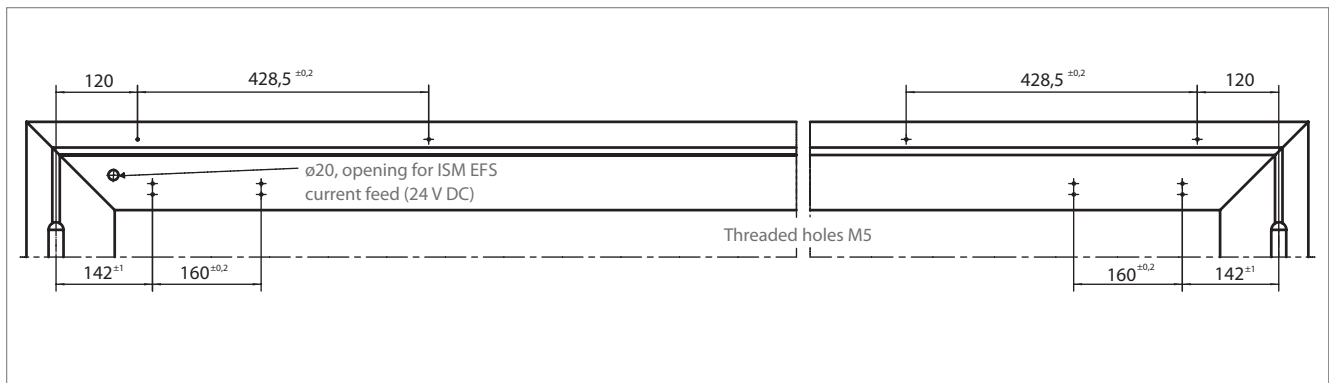


Fig. 74-2

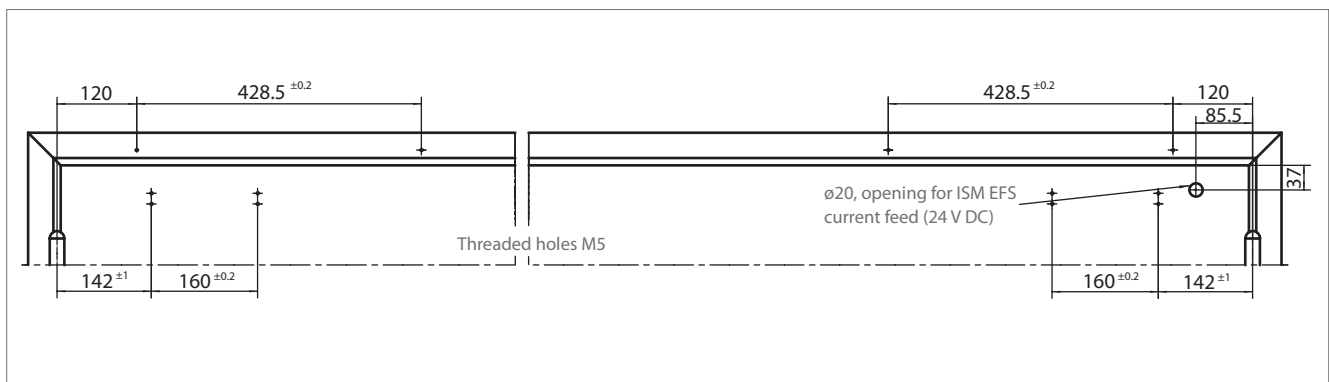


Fig. 74-3

GEZE TS 5000 ISM EFS – Ordering information

Description	Finish	ID No.
GEZE TS 5000, size 2-6 Door closer without guide rail, without lever	silver	027333
	RAL colour	027336
GEZE TS 5000 E Hy, size 2-5 Door closer for mounting on the moving leaf	silver	121389
	RAL colour	099129
ISM EFS guide rail, with freeswing-arm and integrated mechanical closing sequence control	silver	121449
	RAL colour	121451
Mounting material		
Mounting plate for TS 5000	silver	049185
	RAL colour	029176
Mounting plate for TS 5000 E Hy	silver	059107
	RAL colour	100044
Mounting plate for ISM guide rail	silver	118702
	RAL colour	118703
Accessories		
Circuit breaker AP (surface-mounted)		048393
Circuit breaker UP (flush-mounted)		048394
Smoke switch control unit RSZ 5	silver	028357
	RAL colour	028962
Smoke switch control unit RSZ 6	silver	099851
	RAL colour	099859

GEZE TS 5000 L-E-ISM

Overhead door closer for double-leaf doors,
with integrated mechanical closing sequence control
and electromechanical hold-open on both sides,
standard mounting on opposite hinge side / door mount

Product features

- ▶ System GEZE TS 5000 L-E-ISM comprising:
two overhead door closer TS 5000 L with adjustable closing force size 2-6 EN 1154 (at narrow fixed leaves alternatively TS 3000 V) combined with E-ISM guide rail BG with integrated mechanical closing sequence control certified according to EN 1158 and electromechanical hold-open on both sides according to EN 1155, for mounting on opposite hinge side
- ▶ Electromechanical hold-open in guide rail, hold-open angle infinitely variable between 80°-130°
- ▶ Hold-open position can be overridden
- ▶ The hold-open can be adjusted and therefore it may even be disabled
- ▶ With smoke switch control unit GEZE RSZ 5 and RSZ 6 approved by the DIBt

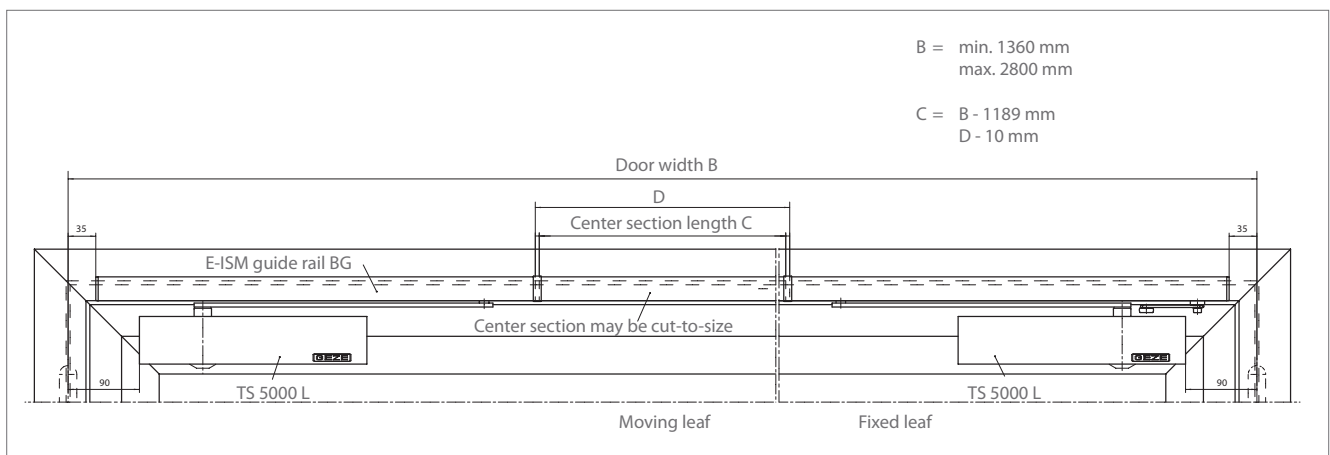


Fig. 76-1

Specification text

GEZE Overhead door closer system TS 5000 L-E-ISM 24 V DC, 2 x 100 mA, to be mounted to smoke and fire doors, according to EN 1158, size 2-6, with continuous guide rail BG, overall height 30 mm, with integrated mechanical closing sequence control, with electromechanical hold-open, infinitely variable between approx. 80° and 130° to an exact position according to EN 1155, hold-open position can be overridden, adjustable from front: closing force according to EN size 2-6, closing speed and latching action, with visual size indicator, mounting on opposite hinge side / door mount, with mounting plate

Colour:

- silver
- dark bronze
- white
- RAL ...

Note:

The system GEZE TS 5000 L-E-ISM has Building Regulation approval for several different actuation devices.

Notice guidelines of DIBt.

Application

- ▶ For double-leaf doors, leaf width max. 1400 mm
- ▶ Smallest door width ginge clearance „b“ = 1360 mm
Largest door width ginge clearance „b“ = 2800 mm
- ▶ Also suitable for leafs of different widths, minimum width of fixed leaf = 380 mm
- ▶ For smoke and fire doors
(country-specific regulations are to be considered)
- ▶ Can be used for right and left hand doors without adjustment

Standard version/package

System GEZE TS 5000 L-E-ISM comprising:

2 pcs. overhead door closer TS 5000 L complete with mounting material and fitting template (mounting plate not included)
still needed: continuous E-ISM guide rail BG with two levers, integrated mechanical closing sequence control and electro-mechanical hold-open on both sides

Mounting on opposite hinge side / door mount with E-ISM guide rail BG

Mounting with mounting plate

Example showing the mounting of system GEZE TS 5000 L-E-ISM on a fire door, see Fig. 76-1 and Fig. 78-1

Mounting plate, 5 mm thick, with drill-hole pattern as per DIN EN 1154 supplement 1, see Fig. 78-2

Mounting dimensions

right hand door = moving leaf
left hand door = fixed leaf,
see Fig. 78-3

left hand door = moving leaf
right hand door = fixed leaf,
see Fig. 78-4

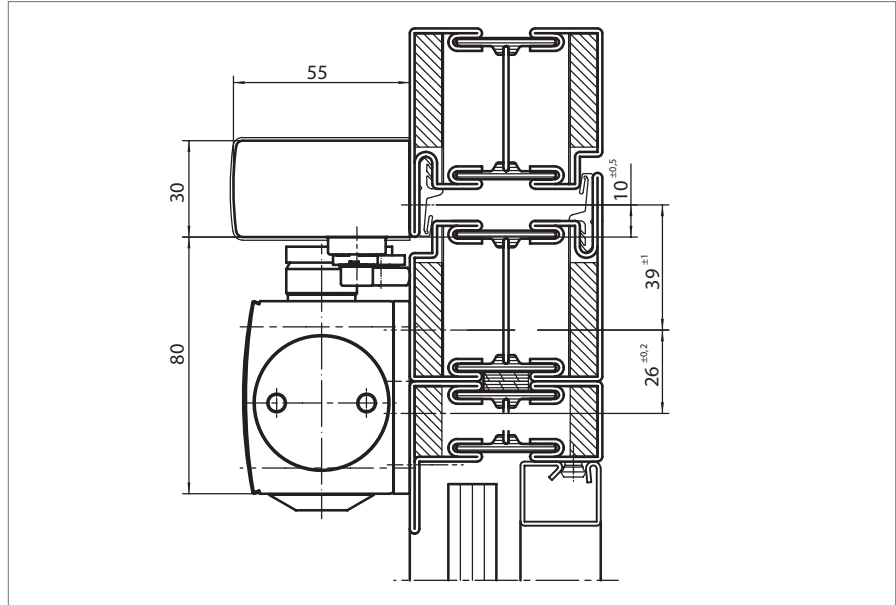


Fig. 78-1

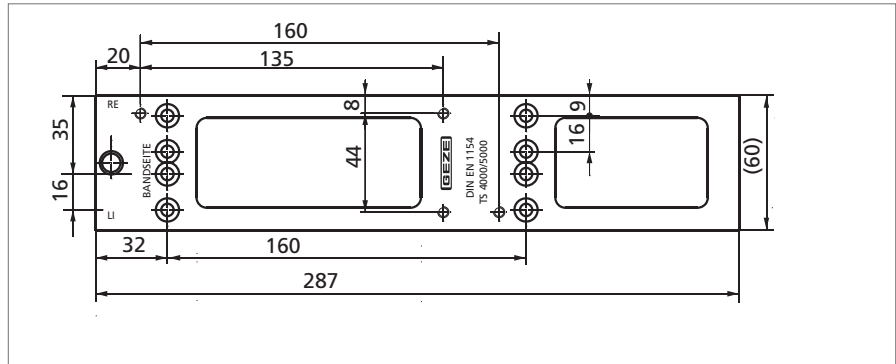


Fig. 78-2

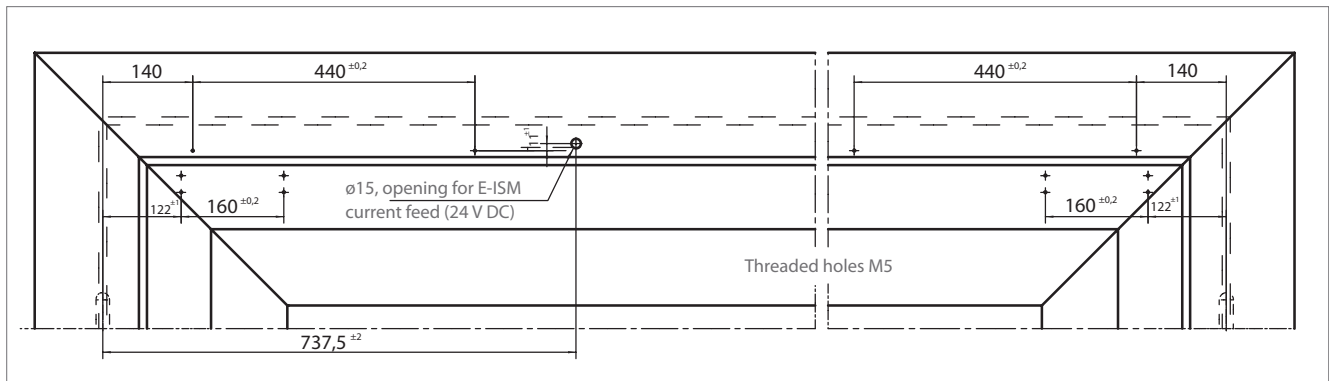


Fig. 78-3

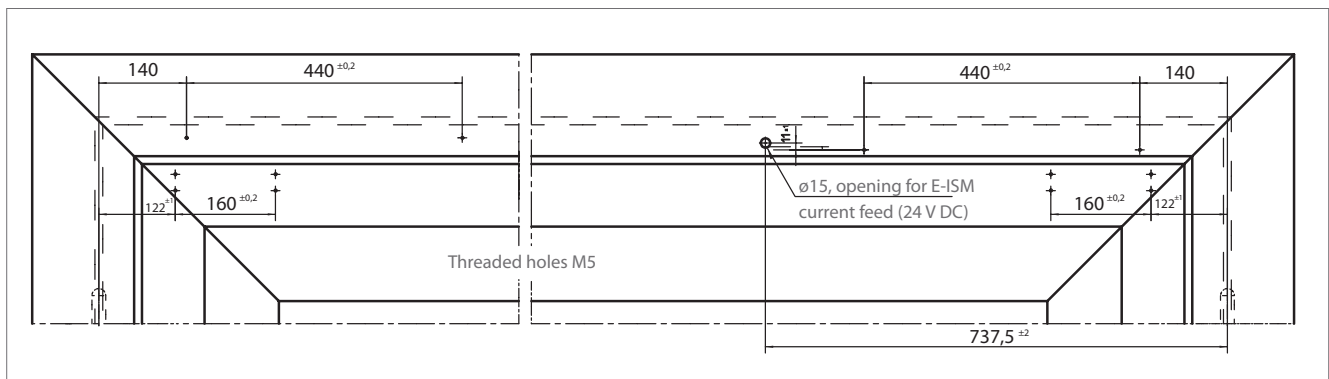


Fig. 78-4

Electrical installation

The system GEZE TS 5000 L-E-ISM must be connected to a 24 V DC direct voltage supply to allow the door to be held open.

Function

- ▶ Voltage applied to guide rail = door held open
- ▶ No voltage applied or switched off = door not held open and closes automatically
- ▶ The door can be closed manually at any time regardless of whether or not voltage is being applied.

Electrical data

- ▶ Operating voltage 24 V DC $\pm 10\%$
- ▶ Connected load 200 mA
- ▶ Max. permissible residual ripple 20%
- ▶ Rating 100%
- ▶ Enclosure rating IP 43 (for interior use only)

Connection

The power supply cable (max. cross section 0,8 mm²) from the fire detector control unit (24 V DC) is fixed in the terminal of the guide rail

See the wiring diagram L-E-ISM, Fig. 79-1

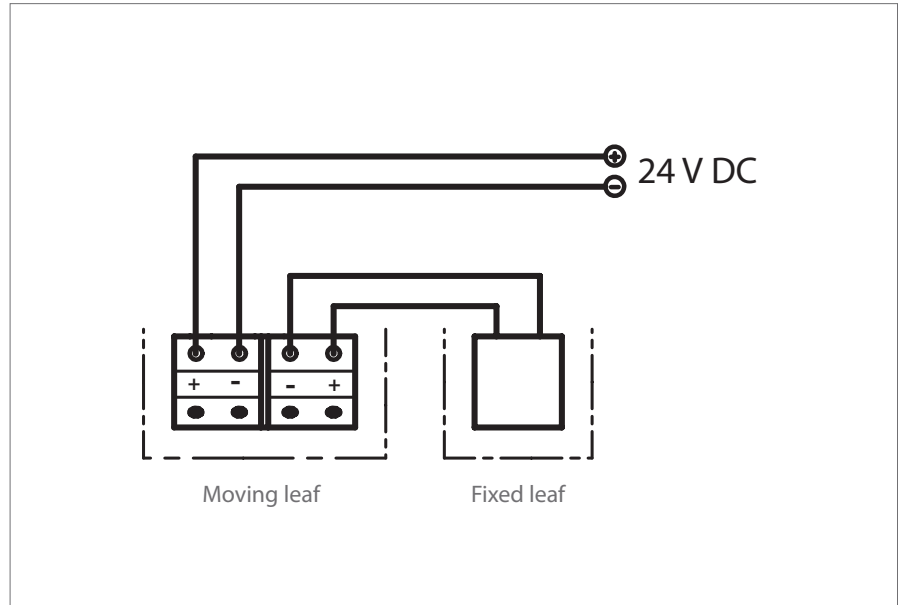


Fig. 79-1

GEZE TS 5000 L-E-ISM – Ordering information

Description	Finish	ID No.
GEZE TS 5000 L, size 2-6 Door closer without guide rail, without lever	silver	027351
	dark bronze	029399
	white RAL 9016	029400
	RAL colour	027352
E-ISM guide rail BG with integrated mechanical closing sequence control and electromechanical hold-open on both sides, for mounting on opposite hinge side	silver	115608
	white RAL 9016	115609
	stainless steel effect ¹⁾	115610
	RAL colour	115611
Mounting material		
Mounting plate for closer without direct door mounting	silver	049185
	dark bronze	052351
	white RAL 9016	068627
	galvanised steel	057956
	RAL colour	029176
Mounting plate for E-ISM guide rail BG	silver	118704
	RAL colour	118705
Mounting bracket for E-ISM guide rail BG	silver	118706
	RAL colour	118707
Accessories		
Cover caps (only suitable for mounting on door leaf)	silver	067724
	dark bronze	067725
	white RAL 9016	067726
	polished brass	072698
	stainless steel	072696
	RAL colour	000756

¹⁾ finish stainless steel effect for dry rooms only

GEZE TS 5000 R-ISM

Overhead closer system for double-leaf doors,
with integrated mechanical closing sequence control,
electromechanical hold-open on both sides
and smoke switch control unit

Product features

- ▶ System GEZE TS 5000 R-ISM comprising:
 - two overhead door closer TS 5000 with adjustable closing force size 2-6 EN 1154 (at narrow fixed leaves alternatively TS 3000 V) combined with R-ISM guide rail with integrated mechanical closing sequence control certified according to EN 1158, electromechanical hold-open according to EN 1155 and smoke switch control unit with soiling indicator, alarm threshold and integrated electronics for closer control
- ▶ Extra smoke detectors can be connected
- ▶ Power supply 230 V mains
- ▶ Electromechanical hold-open integrated into the guide rail, hold-open angle infinitely adjustable between 80°-130°
- ▶ Hold-open position can be overridden
- ▶ The hold-open can be adjusted and therefore it may even be disabled
- ▶ Approved by the DIBt (Certification No. Z-6.5-1914)

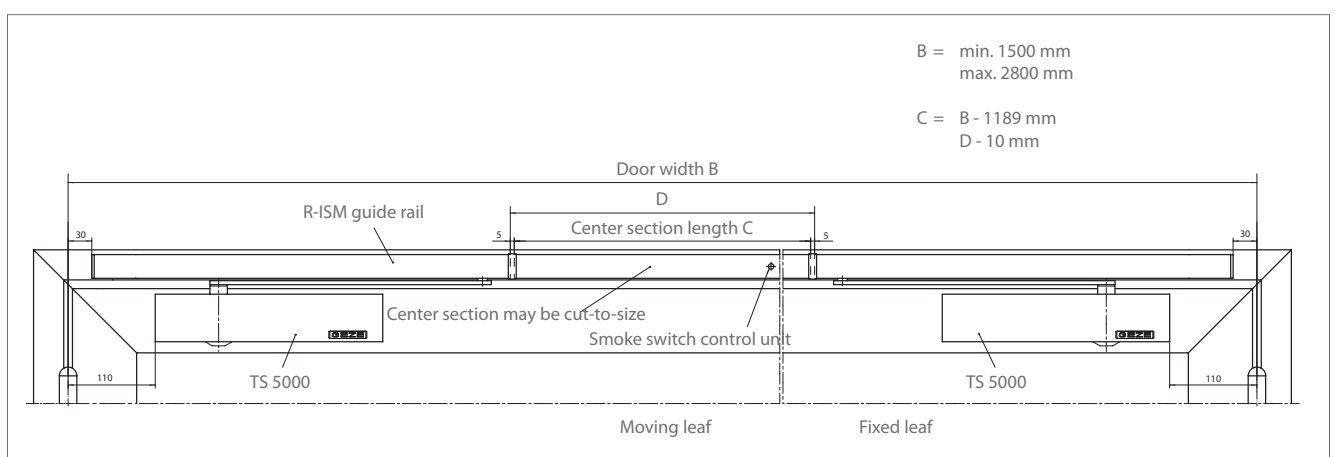


Fig. 81-1

Specification text

GEZE Overhead door closer system TS 5000 R-ISM 230 V AC, to be mounted to smoke and fire doors, according to EN 1158, size 2-6, with continuous guide rail, overall height 30 mm, with integrated mechanical closing sequence control, with electromechanical hold-open infinitely adjustable between approx. 80° and 130° to an exact position according to EN 1155, hold-open position can be overridden, integrated smoke switch control unit with alarm threshold, soiling indicator and test button, adjustable from front: closing force size EN 2-6, closing speed, latching action and back check, with visual size indicator, standard mounting on hinge side / door mount, with mounting plate

Colour:

- silver
- dark bronze
- white
- RAL ...

Note:

Notice guidelines of DIBt.

Applications

- ▶ For double-leaf doors, leaf width max. 1400 mm
- ▶ Smallest door width hinge clearance „b“ = 1500 mm
Largest door width hinge clearance „b“ = 2800 mm
- ▶ Footage (for hinge side only) up to 3200 mm
- ▶ Also suitable for leafs of different widths;
minimum width of fixed leaf = 400 mm
(smallest fixed leaf with TS 3000 V = 340 mm)
- ▶ For smoke and fire doors
(country-specific regulations are to be considered)
- ▶ Can be used for right and left hand doors without adjustment

Standard version/package

System GEZE TS 5000 R-ISM comprising:

2 pcs. overhead door closer TS 5000 complete with mounting material and fitting template (mounting plate not included)
still needed: continuous R-ISM guide rail with two levers, integrated mechanical closing sequence control, electromechanical hold-open on both sides and integrated smoke switch control unit

▶ Version GEZE TS 5000 R-ISM/G

with electromechanical hold-open on the moving leaf



GEZE TS 5000 R-ISM · GEZE Showroom

Mounting on hinge side / door mount with R-ISM guide rail

Direct mounting

(in Germany not permitted for use with smoke and fire doors)

Example showing the mounting of system GEZE TS 5000 R-ISM on a steel door, see Fig. 81-1 and Fig. 83-1

Mounting dimensions

left hand door = moving leaf
right hand door = fixed leaf,
see Fig. 83-2

right hand door = moving leaf
left hand door = fixed leaf,
see Fig. 83-3

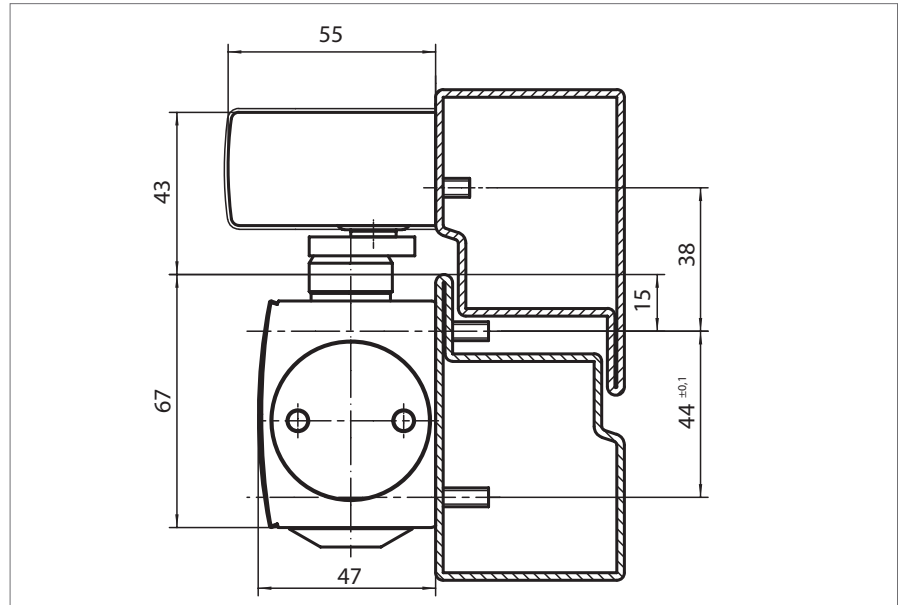


Fig. 83-1

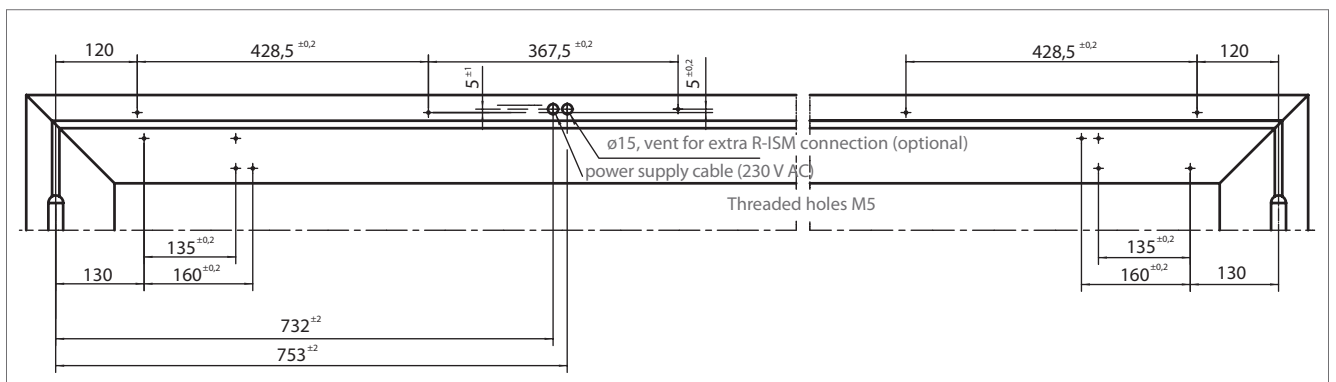


Fig. 83-2

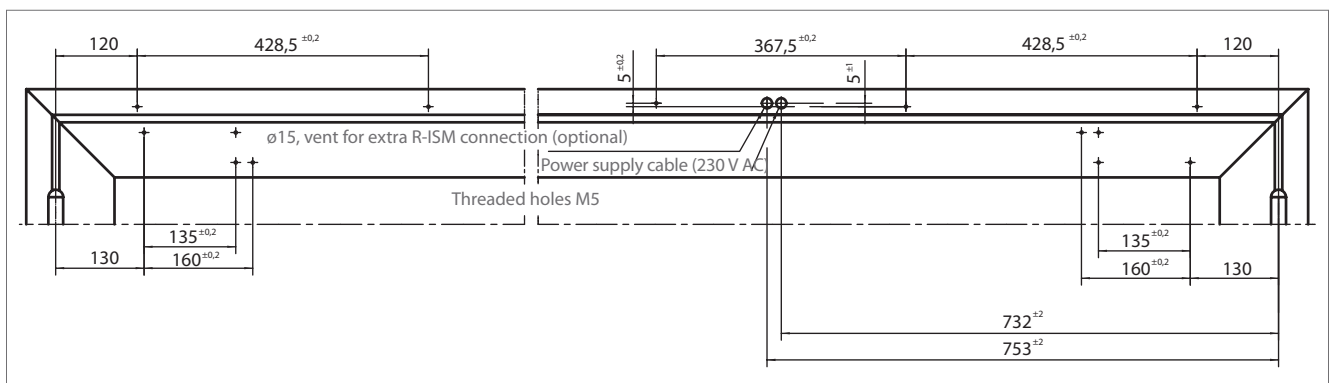


Fig. 83-3

Mounting on hinge side / door mount with R-ISM guide rail

Mounting with mounting plate

Example showing the mounting of system GEZE TS 5000 R-ISM with mounting plate on a steel door, see Fig. 81-1 and Fig. 84-1

Mounting plate, 5 mm thick, drill-hole pattern as per DIN EN 1154 supplement 1, for doors without direct closer mounting, see Fig. 84-2

Mounting dimensions

left hand door = moving leaf
right hand door = fixed leaf,
see Fig. 84-3

right hand door = moving leaf
left hand door = fixed leaf,
see Fig. 84-4

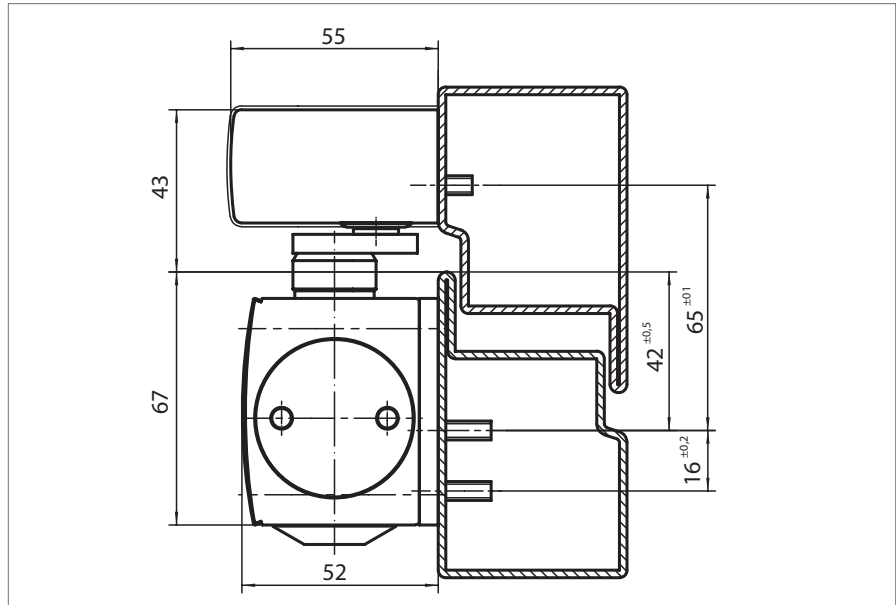


Fig. 84-1

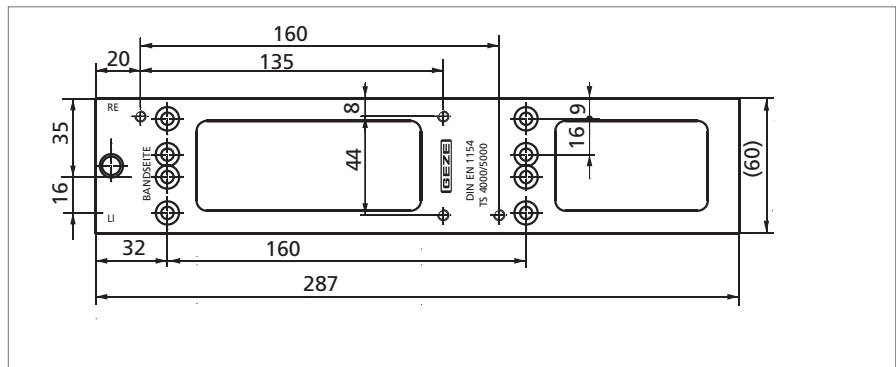


Fig. 84-2

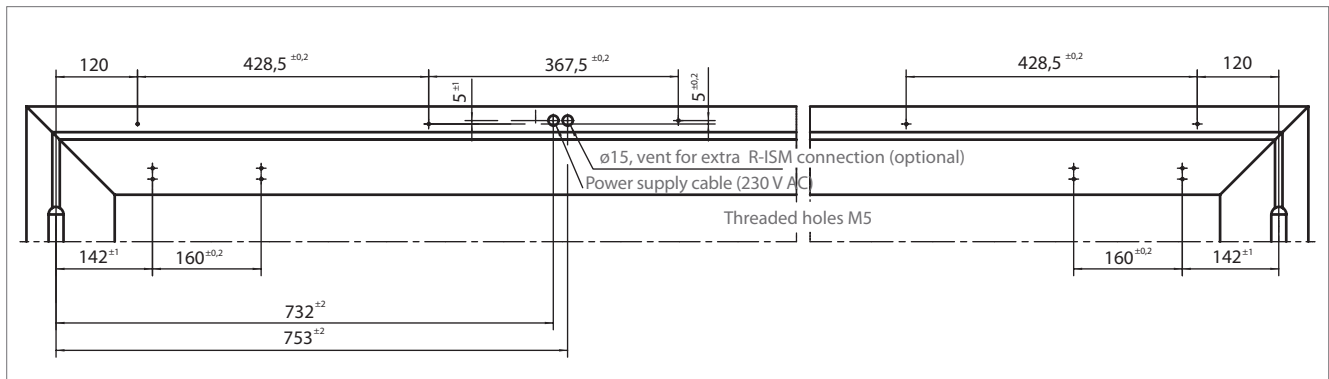


Fig. 84-3

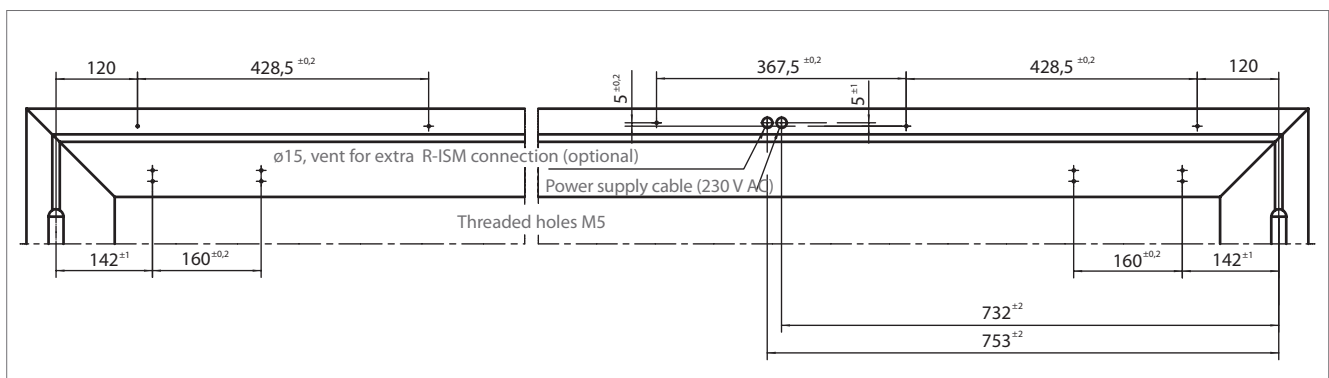


Fig. 84-4

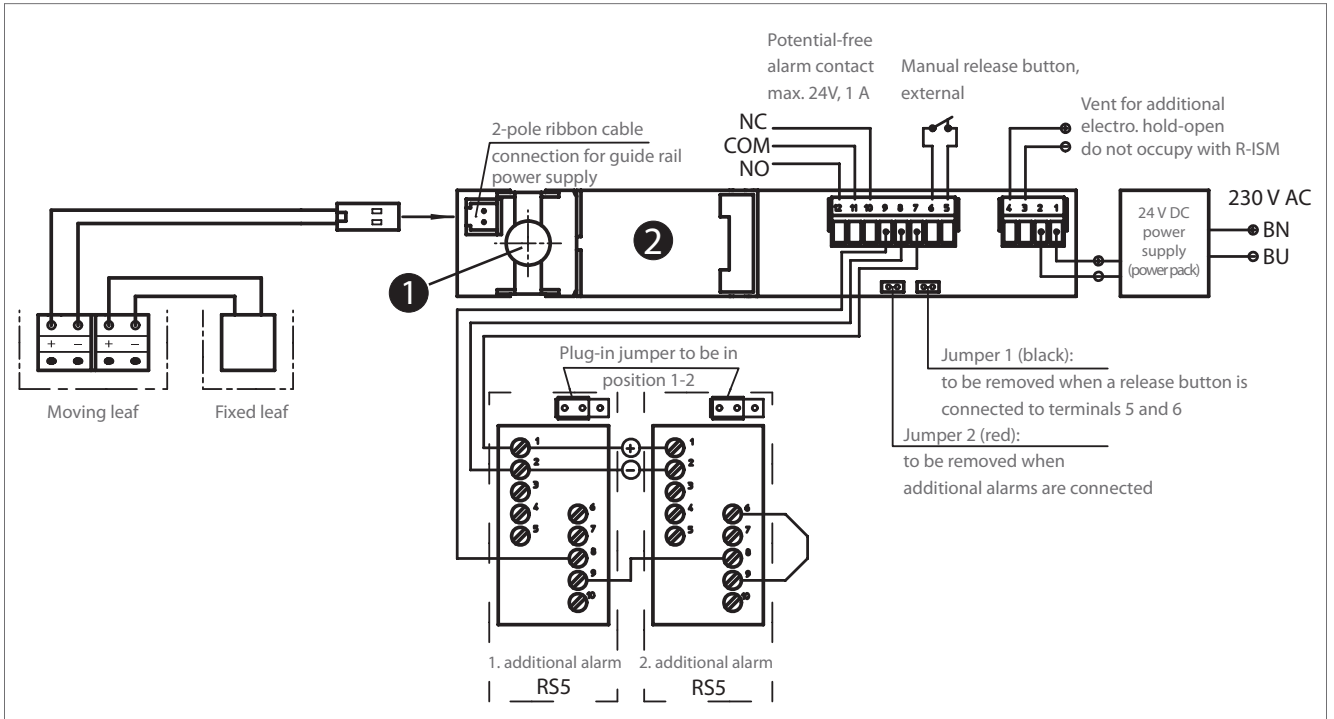


Fig. 85-1

Electrical installation

The system GEZE R-ISM is connected to the 230 V mains voltage via the smoke switch control unit. The system is fully functional once the smoke switch control unit and the guide rail have been interconnected.

Function

- ▶ Voltage applied to guide rail = door held open
- ▶ No voltage applied or switched off = door not held open and closes automatically
- ▶ The door can be closed manually at any time regardless of whether or not voltage is being applied.

Electrical data

integrated smoke switch control unit:

- ▶ Smoke detection – optical scattered light principle
- ▶ Operating voltage 230 V AC, 50 Hz, 6,3 W
- ▶ Total connected load for closer/magnetic door clamp max. 200 mA
- ▶ Ambient temperature 00 C bis +500 C
- ▶ Short-circuit proof
- ▶ Alarm threshold
- ▶ Soiling indicator
- ▶ Enclosure rating IP 20

Legend, Fig. 85-1 (wiring diagram R-ISM)

- ① Status display:
 - operation = LED green
 - alarm = red
 - soil = red/green variable flashing
- ⊗ Smoke detection unit

GEZE TS 5000 R-ISM – Ordering information

Description	Finish	ID No.
GEZE TS 5000, size 2-6 Door closer without guide rail, without lever	silver	027333
	dark bronze	027334
	white RAL 9016	027335
	RAL colour	027336
R-ISM guide rail with integrated mechanical closing sequence control, electromechanical hold-open on both sides and smoke switch control unit	silver	115614
	dark bronze	115615
	white RAL 9016	115616
	stainless steel effect ¹⁾	115617
	RAL colour	115618
R-ISM guide rail footage up to 3200 mm	silver	115626
	RAL colour	115627
R-ISM/G guide rail with electromechanical hold-open on the moving leaf	silver	115619
	stainless steel effect ¹⁾	115620
	RAL colour	115621
Mounting material		
Mounting plate for doors without direct closer mounting	silver	049185
	dark bronze	052351
	white RAL 9016	068627
	galvanised steel	057956
	RAL colour	029176
Mounting plate for R-ISM guide rail	silver	118690
	RAL colour	118701
Accessories		
Cover caps (only suitable for mounting on door leaf)	silver	067724
	dark bronze	067725
	white RAL 9016	067726
	polished brass	072698
	stainless steel	072696
	RAL colour	000756

¹⁾ finish stainless steel effect for dray rooms only

GEZE TS 5000 R-ISM EFS

Overhead closer system for double-leaf doors, with integrated mechanical closing sequence control, smoke switch control unit and freeswing-function at the moving leaf

Due to the system GEZE TS 5000 R-ISM EFS with help of the R-ISM EFS guide rail as well as overhead door closer TS 5000 E Hy at the moving leaf a freeswing-function can be realised. The freeswing function is activated by opening the door once to approximately 90°. The fixed leaf ist self-closing via the overhead door closer TS 5000. The sequential closing function is provided by the R-ISM guide rail with integrated mechanical closing sequence control.

Product features

- ▶ System GEZE TS 5000 R-ISM EFS comprising:
 - an overhead door closer TS 5000 E Hy size 2-5 EN 1154 on the moving leaf and a closer TS 5000 size 2-6 EN 1154 on the fixed leaf, combined with R-ISM EFS guide rail with integrated mechanical closing sequence control certified according to EN 1158, freeswing-function at the moving leaf which is activated by opening the door once to approx. 90° and with into the guide rail integrated smoke switch control unit with alarm threshold, soiling indicator and test button
- ▶ Closing force, closing speed and latching action adjustable from front
- ▶ With visual size indicator
- ▶ Still needed: circuit breaker

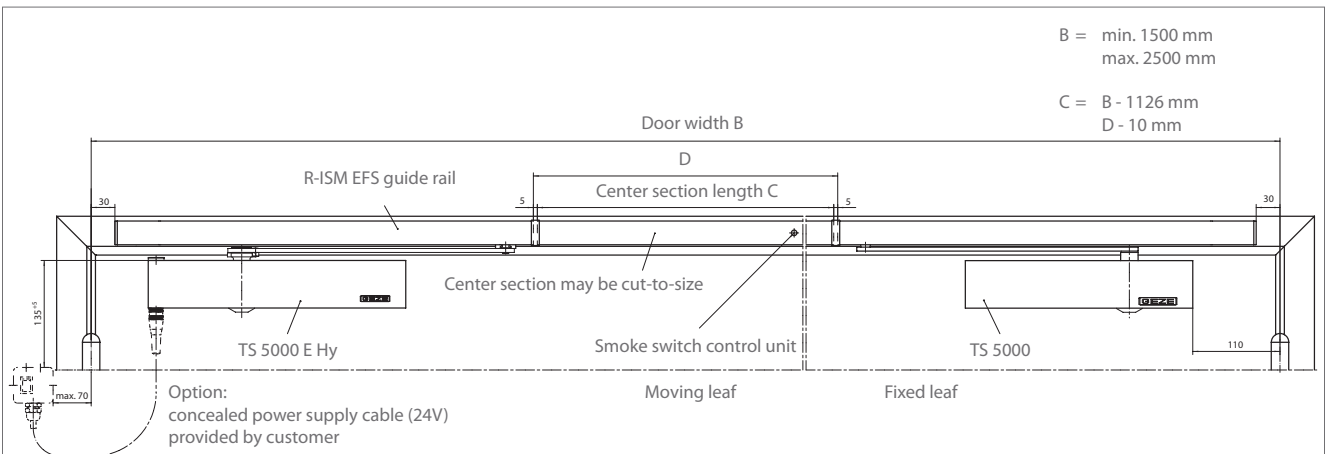
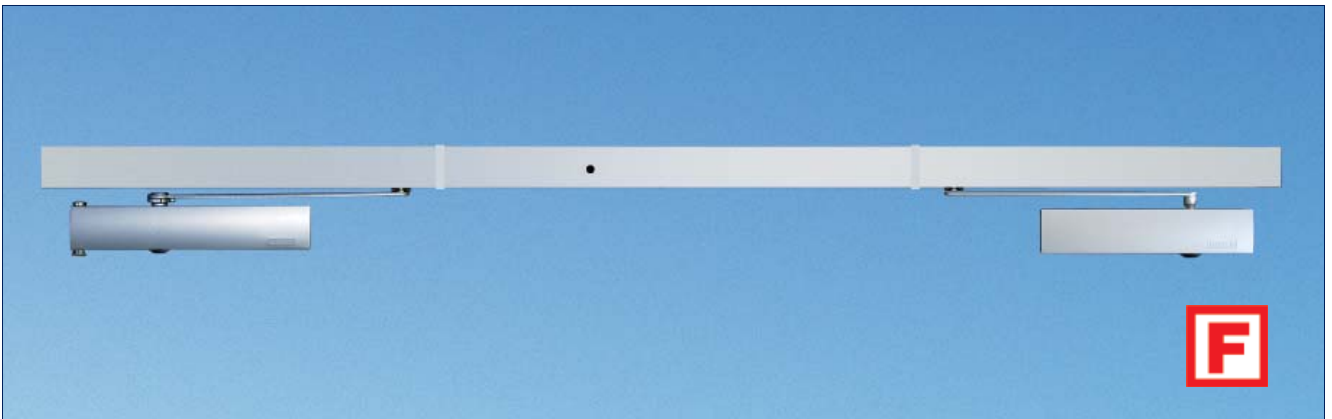


Fig. 87-1

Specification text

GEZE Overhead door closer TS 5000 R-ISM EFS 230 V, to be mounted to smoke and fire doors, with guide rail R-ISM EFS with integrated mechanical closing sequence control according to EN 1158 and freeswing-function at the moving leaf which is activated via the electrohydraulic hold-open by opening the door once to approximately 90°, with into the guide rail integrated smoke switch control unit with alarm threshold, soiling indicator and test button, Building Regulation approval is requested at the DIBt, closing force size 2-5 according to EN 1154, closing speed and latching action adjustable, all functions adjustable from front, with visual size indicator, standard mounting on hinge side / door mount, with mounting plate

Colour:

- silver
- RAL ...

GEZE circuit breaker

- surface-mounted (AP)
- flush-mounted (UP)

Notice guidelines of DIBt.

Applications

- ▶ Smallest door width hinge clearance „b“ = 1500 mm
Largest door width hinge clearance „b“ = 2500 mm
- ▶ Also suitable for leaves of different widths,
minimum width of fixed leaf = 400 mm
maximum width of moving leaf = 1250 mm
- ▶ For smoke and fire doors
(country-specific regulations are to be considered)
- ▶ Can be used for right and left hand doors without adjustment

Standard version/package

System GEZE TS 5000 R-ISM EFS comprising:

1 pcs. overhead door closer TS 5000 E Hy and 1 pcs. overhead door closer TS 5000 complete with mounting material and fitting template (mounting plate not included)
still needed: R-ISM/EFS guide rail with integrated mechanical closing sequence control, freeswing-function at the moving leaf and integrated smoke switch control unit RSZ 6, circuit breaker

Note:

Due to the guideline for determination plants of the DIBt (German Institution for Construction Technology) a circuit breaker is cogently stipulated when using a door closer with freeswing function.

Mounting on hinge side / door mount with R-ISM EFS guide rail

Direct mounting

(in Germany not permitted for use with smoke and fire doors)

Example showing the mounting of system GEZE TS 5000 R-ISM EFS on a double-leaf timber door, see Fig. 87-1 and Fig. 89-1

Mounting dimensions

left hand door = moving leaf
right hand door = fixed leaf,
see Fig. 89-2

right hand door = moving leaf
left hand door = fixed leaf,
see Fig. 89-3

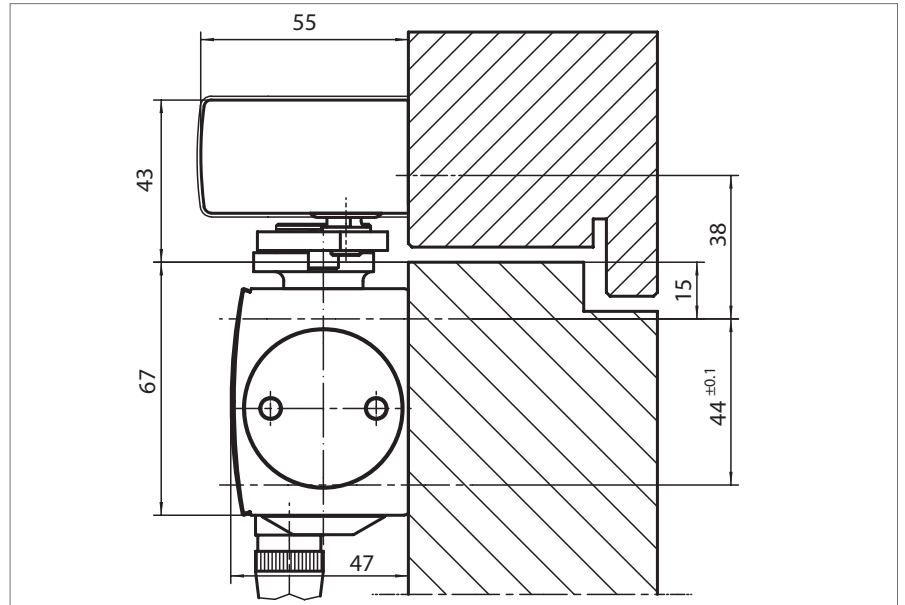


Fig. 89-1

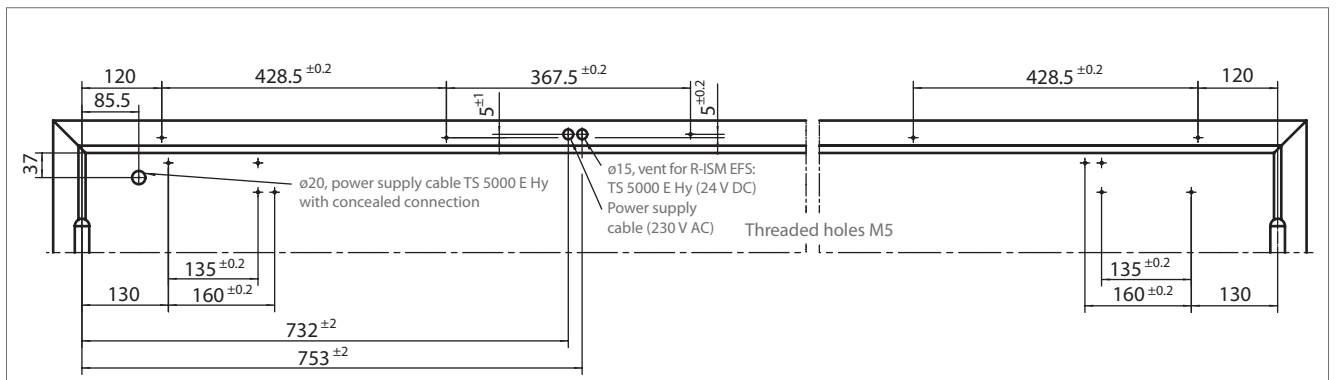


Fig. 89-2

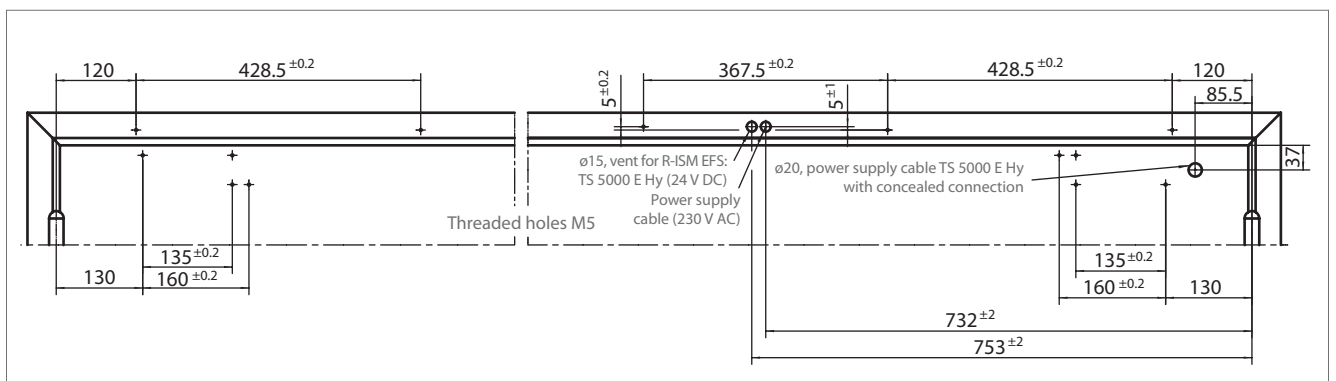


Fig. 89-3

Mounting on hinge side / door mount with R-ISM EFS guide rail

Mounting with mounting plate

Example showing the mounting of system GEZE TS 5000 R-ISM EFS with mounting plate on a double-leaf timber door, see Fig. 87-1 and Fig. 90-1

Mounting dimensions

left hand door = moving leaf
right hand door = fixed leaf,
see Fig. 90-2

right hand door = moving leaf
left hand door = fixed leaf,
see Fig. 90-3

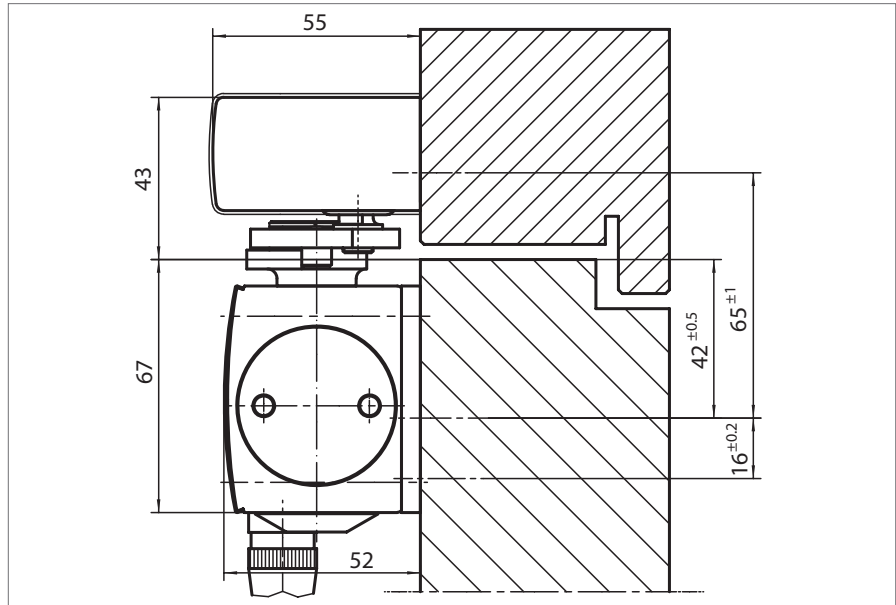


Fig. 90-1

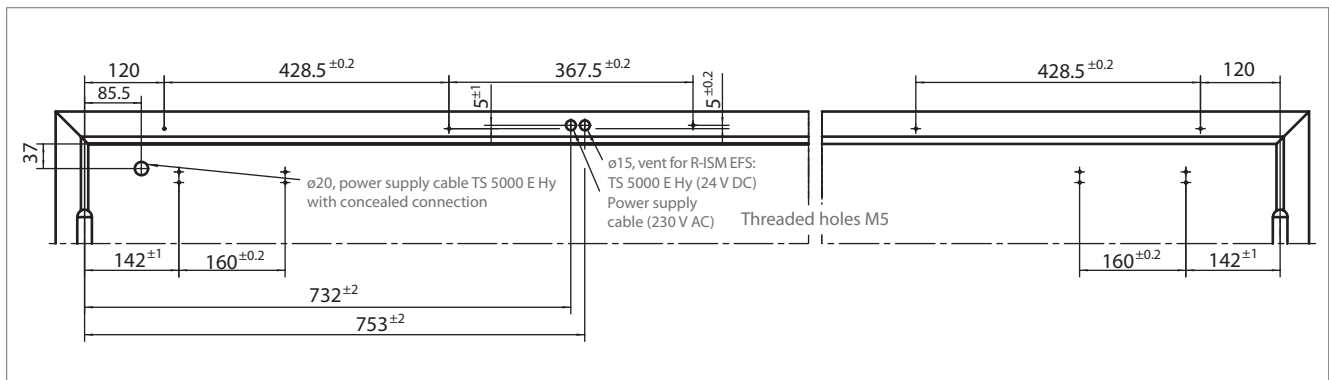


Fig. 90-2

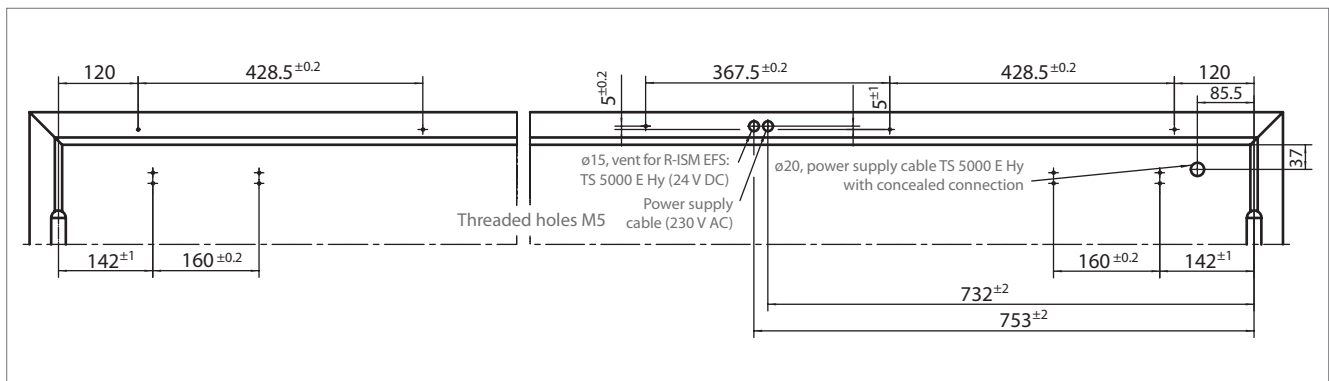


Fig. 90-3

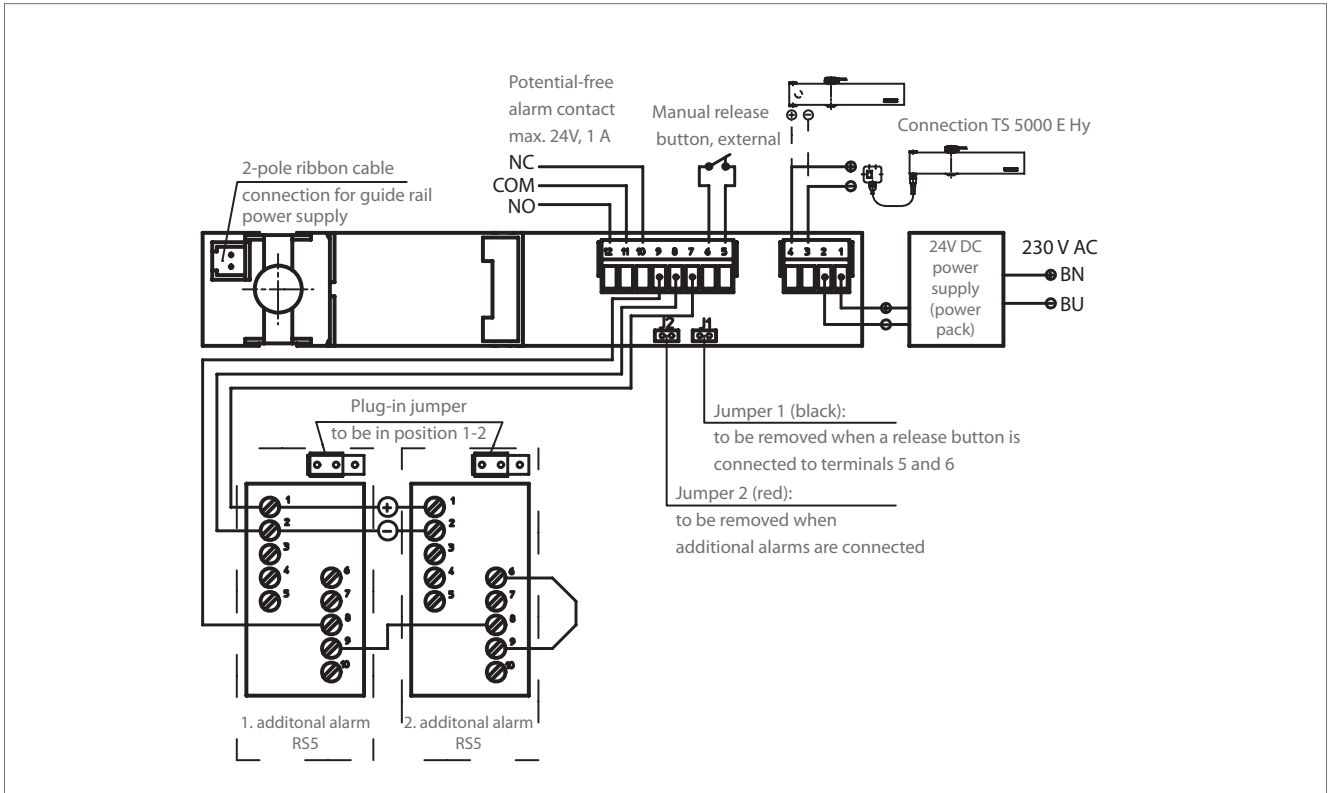


Fig. 91-1

Electrical installation

The system GEZE R-ISM EFS is connected to the 230 V mains voltage via the smoke switch control unit. The system is fully functional once the smoke switch control unit and the guide rail have been interconnected.

Function

- ▶ Voltage applied to guide rail
= door held open
- ▶ No voltage applied or switched off
= door not held open and closes automatically
- ▶ The door can be closed manually at any time regardless of whether or not voltage is being applied.

Electrical data

integrated smoke switch control unit:

- ▶ Smoke detection – optical scattered light principle
- ▶ Operating voltage 230 V AC, 50 Hz, 6,3 W
- ▶ Total connected load for closer/magnetic door clamp max. 200 mA
- ▶ Ambient temperature 00 C bis +500 C
- ▶ Short-circuit proof
- ▶ Alarm threshold
- ▶ Soiling indicator
- ▶ Enclosure rating IP 20

Wiring diagram R-ISM/EFS

see Fig. 91-1

GEZE TS 5000 R-ISM EFS – Ordering information

Description	Finish	ID No.
GEZE TS 5000, size 2-6 Door closer without guide rail, without lever	silver	027333
	RAL colour	027336
GEZE TS 5000 E Hy, size 2-5 Door closer for mounting at the moving leaf	silver	121389
	RAL colour	099129
R-ISM EFS guide rail, with freeswing-function, integrated mechanical closing sequence control and smoke switch control unit RSZ 6	silver	121453
	RAL colour	121455
Mounting material		
Mounting plate for TS 5000	silver	049185
	RAL colour	029176
Mounting plate for TS 5000 E Hy	silver	059107
	RAL colour	100044
Mounting plate for R-ISM EFS guide rail	siberfarbig	118690
	RAL colour	118701
Accessories		
Circuit breaker AP (surface-mounted)		048393
Circuit breaker UP (flush-mounted)		048394

GEZE TS 5000 L-R-ISM

Overhead closer system for double-leaf doors, with integrated mechanical closing sequence control, electromechanical hold-open on both sides and smoke switch control unit, standard mounting on opposite hinge side / door mount

Product features

- ▶ System GEZE TS 5000 L-R-ISM comprising:
 - two overhead door closer TS 5000 L with adjustable closing force size 2-6 EN 1154
 - combined with R-ISM guide rail BG with integrated mechanical closing sequence control certified according to EN 1158, electromechanical hold-open on both sides according to EN 1155 and smoke switch control unit with soiling indicator, alarm threshold and integrated electronics for closer control, for mounting on opposite hinge side
- ▶ Additional smoke detectors can be connected
- ▶ Power supply 230 V mains
- ▶ Electromechanical hold-open in guide rail, hold-open angle infinitely variable between 80°-130°
- ▶ Hold-open position can be overridden
- ▶ The hold-open can be adjusted and therefore it may even be disabled
- ▶ Approval requested at the DIBt

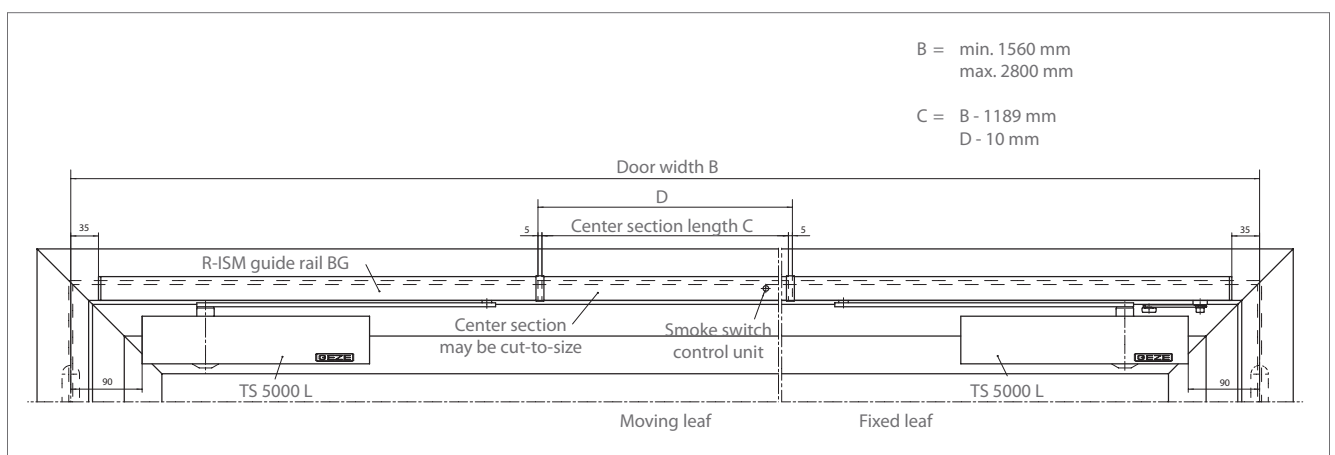
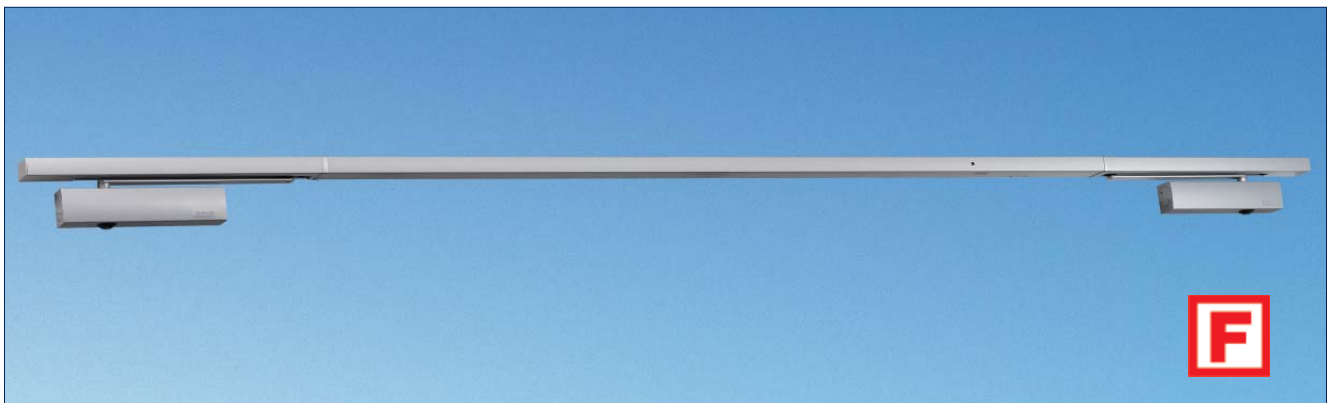


Fig. 93-1

Specification text

GEZE Overhead door closer system TS 5000 L-R-ISM 230 V AC, to be mounted to smoke and fire doors, according to EN 1158, size 2-6, with continuous guide rail BG, overall height 30 mm, with integrated mechanical closing sequence control, with electromechanical hold-open, infinitely variable from 80° to 130° to an exact position acc. to EN 1155, hold-open position can be overridden, integrated smoke switch control unit with alarm threshold, soiling indicator and test button, closing force EN size 2-6, closing speed and latching action adjustable from front, with visual size indicator, mounting on opposite hinge side / door mount, with mounting plate.

Colour:

- () silver
- () dark bronze
- () white
- () RAL ...

Notice guidelines of DIBt.

Applications

- ▶ For double-leaf doors, leaf width max. 1400 mm
- ▶ Smallest door width hinge clearance „b“ = 1560 mm
Largest door width hinge clearance „b“ = 2800 mm
- ▶ Also suitable for leaves of different widths, minimum width of fixed leaf = 380 mm
- ▶ For smoke and fire doors
(country-specific regulations are to be considered)
- ▶ Can be used for right and left hand doors without adjustment

Standard version/package

System GEZE TS 5000 L-R-ISM comprising:
2 pcs. overhead door closer TS 5000 L complete with mounting material and fitting template (mounting plate not included)
still needed: continuous R-ISM guide rail BG with two levers, integrated mechanical closing sequence control, electro-mechanical hold-open on both sides and integrated smoke switch control unit



Steigenberger Hotel DE SAXE, Dresden

Mounting on opposite hinge side / door mount with R-ISM guide rail BG

Mounting with mounting plate

Example showing the mounting of system GEZE TS 5000 L-R-ISM on a fire door, see Fig. 93-1 and Fig. 95-1

Mounting plate, 5 mm thick, drill-hole pattern as per DIN EN 1154 supplement 1, see Fig. 95-2

Mounting dimensions

right hand door = moving leaf
left hand door = fixed leaf,
see Fig. 95-3

left hand door = moving leaf
right hand door = fixed leaf,
see Fig. 95-4

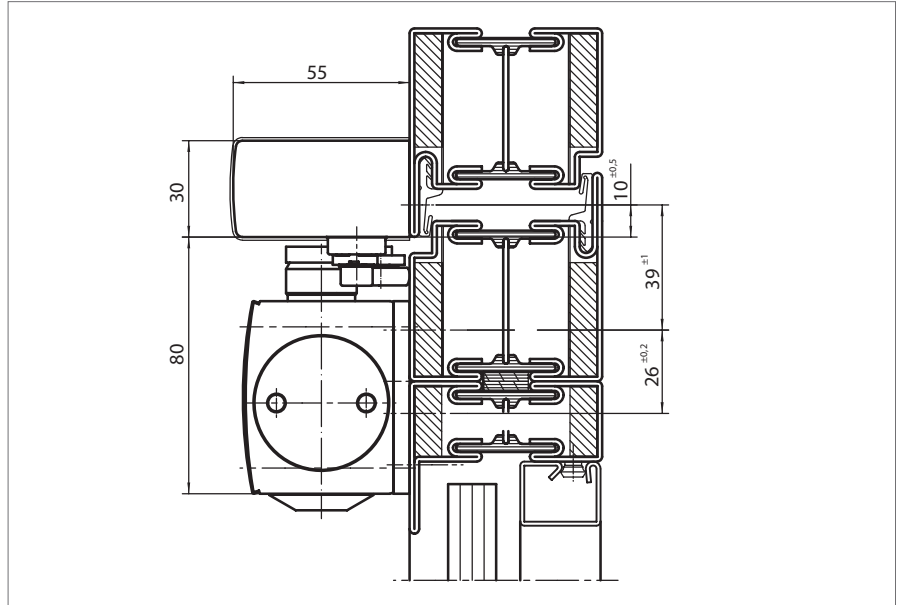


Fig. 95-1

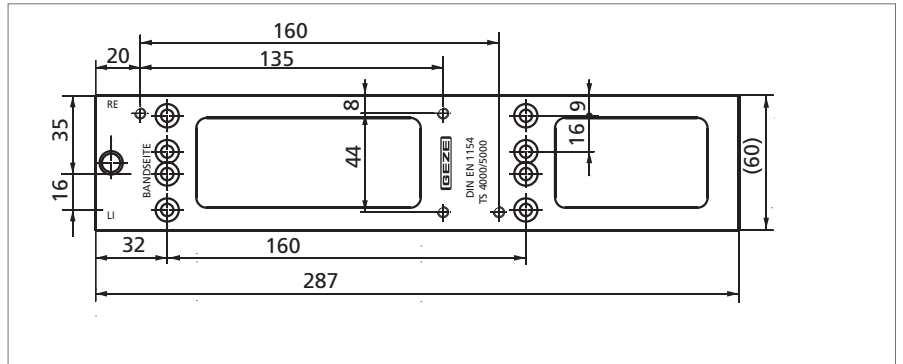


Fig. 95-2

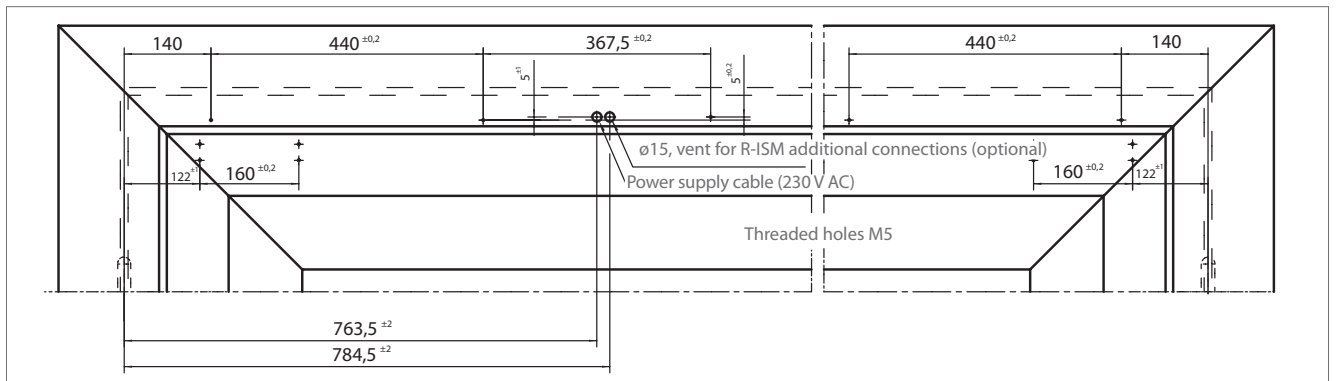


Fig. 95-3

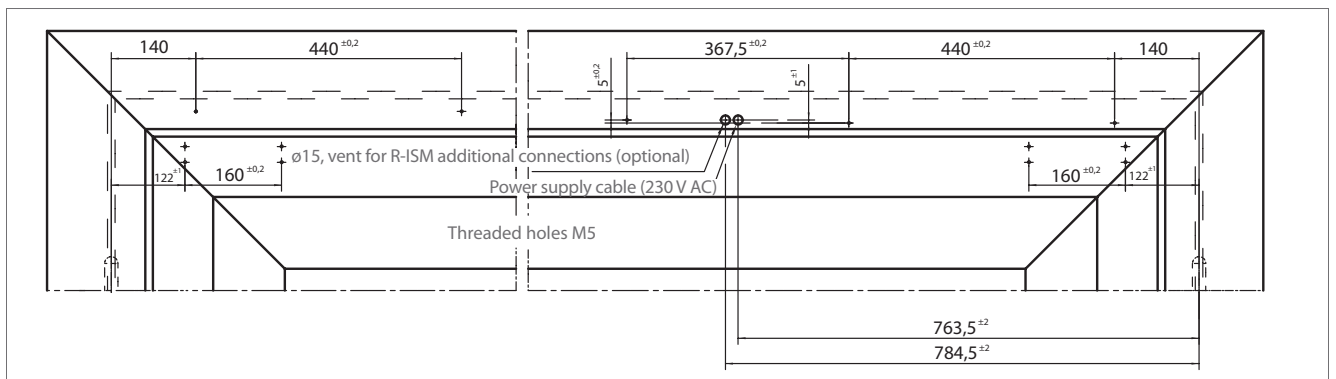


Fig. 95-4

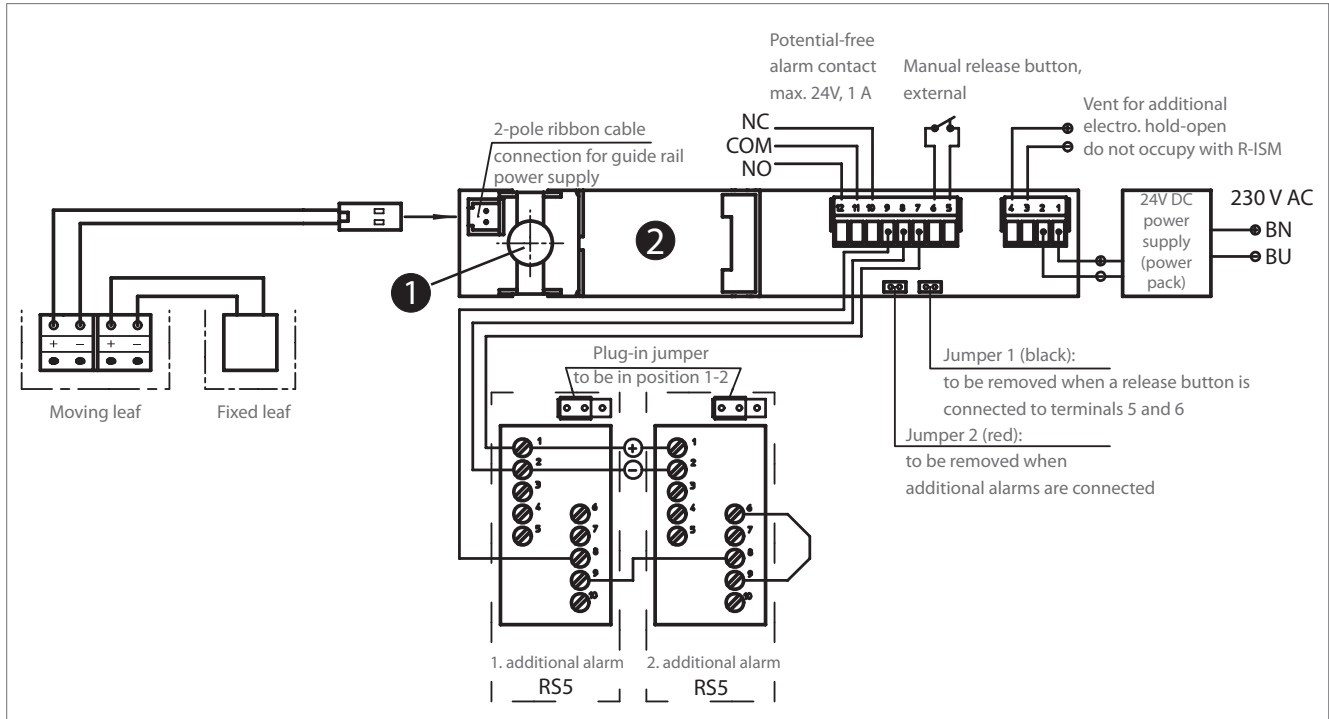


Fig. 96-1

Electrical installation

The system GEZE L-R-ISM is connected to the 230 V mains voltage via the smoke switch control unit. The system is fully functional once the smoke switch control unit and the guide rail have been interconnected.

Function

- ▶ Voltage applied to guide rail = door held open
- ▶ No voltage applied or switched off = door not held open and closes automatically
- ▶ The door can be closed manually at any time regardless of whether or not voltage is being applied.

Electrical data

integrated smoke switch control unit:

- ▶ Smoke detection – optical scattered light principle
- ▶ Operating voltage 230 V AC, 50 Hz, 6,3 W
- ▶ Total connected load for closer/magnetic door clamp max. 200 mA
- ▶ Ambient temperature 00 C bis +500 C
- ▶ Short-circuit proof
- ▶ Alarm threshold
- ▶ Soiling indicator
- ▶ Enclosure rating IP 20

Legend, Fig. 96-1 (Wiring diagram L-R-ISM)

- ① Status display:
 - operation = green
 - alarm = red
 - soil = red/green variable flashing
- ⊗ Smoke detection unit

GEZE TS 5000 L-R-ISM – Ordering information

Description	Finish	ID No.
GEZE TS 5000 L, size 2-6 Door closer without guide rail, without lever	silver	027351
	dark bronze	029399
	white RAL 9016	029400
	RAL colour	027352
R-ISM guide rail BG with integrated mechanical closing sequence control, electromechanical hold-open on both sides and smoke switch control unit, for mounting on opposite hinge side	silver	115622
	white RAL 9016	115623
	stainless steel effect ¹⁾	115624
	RAL colour	115625
Mounting material		
Mounting plate for doors without direct closer mounting	silver	049185
	dark bronze	052351
	white RAL 9016	068627
	galvanised steel	057956
	RAL colour	029176
Mounting plate for R-ISM guide rail BG	silver	118704
	RAL colour	118705
Mounting bracket for R-ISM guide rail BG	silver	118706
	RAL colour	118707
Accessories		
Cover caps (only suitable for mounting on door leaf)	silver	067724
	dark bronze	067725
	white RAL 9016	067726
	polished brass	072698
	stainless steel	072696
	RAL colour	000756

¹⁾ finish stainless steel effect for dry rooms only

Cover caps for GEZE door closer

For GEZE door closer TS 3000 V and TS 5000 cover caps are as follows available:

▶ silver



▶ dark bronze



▶ white RAL 9016



▶ polished brass






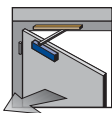

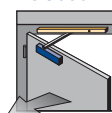





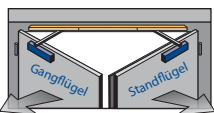
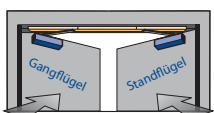
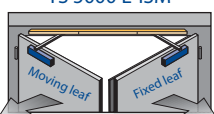
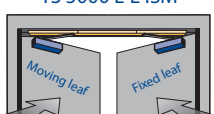
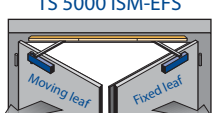
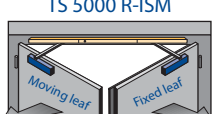
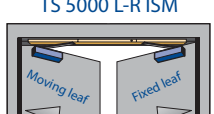
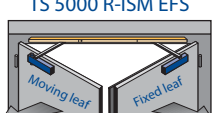
▶ stainless steel



and further RAL colours on request.

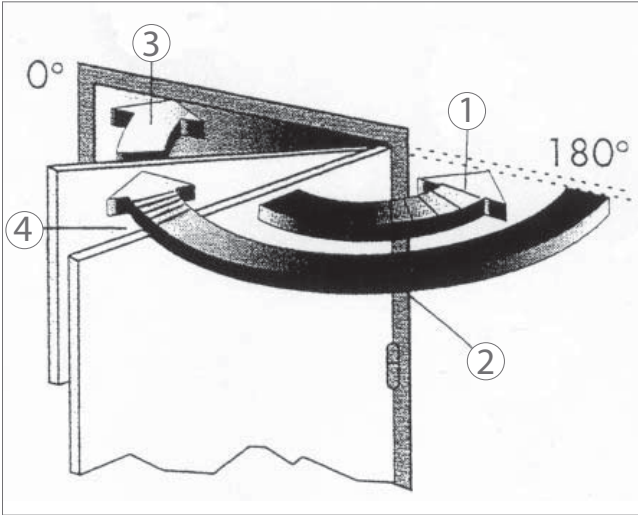
TS 5000 Applications	Single-leaf doors							Double-leaf doors							
	Standard mounting	Mounting on opposite hinge side / door mount	Standard mounting with delayed closing action	Standard mounting with electromechanical hold-open	Mounting on opposite hinge side / door mount with electromechanical hold-open	Standard mounting with electromechanical hold-open and smoke switch	Mounting on opposite hinge side / door mount with electromechanical hold-open and smoke switch	Integrated mechanical closing sequence control	Integrated mechanical closing sequence control and electromechanical hold-open on both sides	Integrated mechanical closing sequence control, freeswinging-function at moving leaf	Integrated mechanical closing sequence control and electromechanical hold-open on both sides and smoke switch	Integrated mechanical closing sequence control, freeswinging-function at moving leaf and smoke switch			
Finish / GEZE system solution	TS 5000	TS 5000 L	TS 5000 S	TS 5000 E	TS 5000 L-E	TS 5000 R	TS 5000 L-R	TS 5000 ISM	TS 5000 L-ISM	TS 5000 E-ISM	TS 5000 L-E-ISM	TS 5000 ISM-EFS	TS 5000 R-ISM	TS 5000 L-R-ISM	TS 5000 R-ISM-EFS
Door closer															
TS 5000	■			■		■		■ ■		■ ■		■	■ ■		■
TS 5000 S			■												
TS 5000 L		■			■		■		■ ■		■ ■			■ ■	
TS 5000 Hy												■			■
Guide rail with lever or guide rail GB with lever for L-versions															
Standard guide rail	■		■												
Guide rail BG		■													
E-guide rail				■											
E-guide rail BG					■										
R-guide rail						■									
R-guide rail BG							■								
ISM-guide rail								■							
ISM-guide rail BG									■						
E-ISM guide rail										■					
E-ISM guide rail BG											■				
ISM-EFS guide rail												■			
R-ISM guide rail													■		
R-ISM guide rail BG														■	
R-ISM EFS-guide rail															■
T-Stop guide rail	■		■											■	
T-Stop guide rail BG		■											■		

*) option

GEZE System TS 5000 – Installation possibilities					
Application		Mounting on hinge side		Mounting on opposite hinge side	
		Door mount	Frame mount	Door mount	Frame mount
Finish					
	Single-leaf doors	Standard version / with delayed closing action	TS 5000 / TS 5000 S 	TS 5000 L 	TS 5000 L 
Electromechanical hold-open		TS 5000 E 		TS 5000 L-E 	
Electromechanical hold-open smoke switch control unit		TS 5000 R 		TS 5000 L-R 	
Electromechanical hold-open with freeswing-function		TS 5000 EFS 	TS 5000 EFS 		
Electromechanical hold-open smoke switch control unit with freeswing-function		TS 5000 RFS 	TS 5000 RFS 		
2-flügelig	Integrated mechanical closing sequence control	TS 5000 ISM 		TS 5000 L-ISM 	
	Integrated mechanical closing sequence control electromechanical hold-open on both sides	TS 5000 E-ISM 		TS 5000 L-E ISM 	
	Integrated mechanical closing sequence control with freeswing-function at the moving leaf	TS 5000 ISM-EFS 			
	Integrated mechanical closing sequence control, electromechanical hold-open on both sides, smoke switch control unit	TS 5000 R-ISM 		TS 5000 L-R ISM 	
	Integrated mechanical closing sequence control, freeswing-function at the moving leaf, smoke switch control unit	TS 5000 R-ISM EFS 			

Information about products and functions

GEZE Overhead door closer with guide rail



- ① **Back check**
catches the swing of a door raised strongly up to approx. 90° largely. It cannot replace however (e.g. with outward opening doors which are seized by the wind) a separate delimitation of the opening angle, so that the assembly of a door stopper or other structural measures is recommended.
- ② **Closing speed**
The speed with which a door is closed can be adjusted individually
- ③ **Latching action**
The door movement becomes door fastenings accelerated in the area of the last degrees around closing resistances such as air resistance to overcome in front of it.
- ④ **Delayed closing action**
The closing speed of a door reduces or the door stops, so that passers-by have sufficient time to go by the door.

GEZE door closer with adjustable closing force:

The standards stipulate that the door closer size (closing force of the closer) must be selected appropriate to the door width.

The next highest size must be selected if the structural (door height, door weight) or local conditions (wind influence) makes this necessary.

The GEZE TS 3000 V, TS 5000 and variants covers several door closer sizes in one housing. These sizes can be adjusted using an adjustment screw. Due to the TS 5000 the adjusted closing force is shown by a closing force indicator.

Door closer size EN	Door leaf width (mm)
Size 1	up to 750
Size 2	over 750 up to 850
Size 3	over 850 up to 950
Size 4	over 950 up to 1100
Size 5	over 1100 up to 1250
Size 6	over 1250 up to 1400

GEZE door closer with mechanical hold-open:

Installation of the hold-open device in the appropriate guide rail allows infinitely variable door hold-open between 80° and 130°.

The hold-open can be adjusted.

The hold-open can therefore be disabled.

Mounting on opposite hinge side:

Attention!



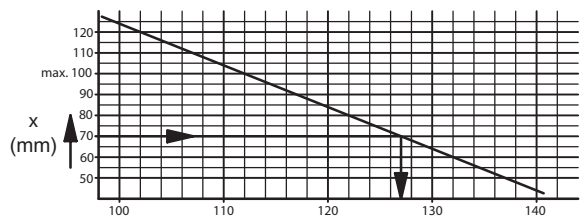
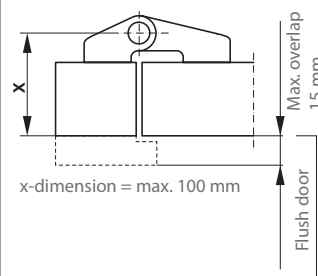
Restrict the max. door opening angle with a door stop!

Regarding TS 3000 V, TS 5000 and TS 5000 L the GEZE T-Stop guide rail with integrated opening restrictor may be used instead of a door stop.

GEZE TS 5000 and variants: Door opening angle relative to "x"

(The "x"-dimension is a combination of door leaf depth and pivot point clearance)

- Compliance with the maximum permitted dimensions regarding door leaf depth, pivot point clearance and transom



Door opening angle
Example: X = 80 mm ± 124° door opening angle

Product information for door closers

The following information concerning door closers for hinged leaf doors must be observed. Failure to observe the information exonerates the manufacturer from liability or obligation.

① Product information and intended use

Door closers in terms of this definition shall be used to close hinged leaf doors again after they have been manually opened. The closing operation is performed with adjustable hydraulic damping. The necessary closing force relative to the leaf widths is defined in EN 1154. The information from the manufacturers must be observed in the case of areas of application other than conduit intended.

Door closers shall be used on installed hinged-leaf doors made of metal, wood, or UPVC and any combinations of these materials. The mounting method and position are precisely prescribed for smoke and fire doors or other standardised self-closing doors. Mounting methods and positions other than conduit intended do not conform to the intended use.

Door closers with back check must be used, especially in the case of hinged-leaf doors which are opened against wind. The back check contributes to protecting personnel, door elements, surrounding walls and objects without restricting the door opening angle.

If, owing to the structural characteristics of the door, it is necessary to mount the door leaf to the frame at the door's pivot axis, a stop which restricts the maximum door opening angle of the door must be used. Hinged leaf doors can only be held open at a specific position using additional special fittings or integrated construction elements. With smoke and fire doors, the equipment must be approved by an inspector from the responsible institute for structural engineering (documents supporting suitability must be observed).

Door closers are not suitable for the unprotected external installation into single-action doors and for use in environments with aggressive corrosion-promoting air contents as well as extremely low or high temperatures.

Fitting boxes for floor springs must be protected against dirt penetration after their installation. If floor mounted door closers are exposed to water penetration (e.g. damp locations or exterior doors without rain protection), the cavity between the cement box and door closer housing must be filled with a suitable sealing compound.

Before the door closers (including any additional equipment) are installed, any mandatory legal directives must be observed.

② Improper use

Improper use (i.e. utilisation of the product in a way differing from the intended use) for hinge leaf door may result in damage or injury in particular:

- ▶ if obstacles in the closing radius, dragging doors, jamming seals, wood wedges etc. prevent the closing operation
- ▶ if door closers have been incorrectly or unprofessionally fitted and/or adjusted
- ▶ if parts of the body are between the frame and leaf (risk of injury)
- ▶ if correct functioning is expected beyond the specified characteristics, e.g. in storm conditions, with extraordinary negative pressure or positive pressure acting on the door

- ▶ if door closers are used for purposes other than closing doors
- ▶ if the selected door closer size does not correspond to the recommendations of the manufacturer

③ Product characteristics

If the product characteristics are not described in the catalogues, brochures, instructions etc., any special requirement must be discussed with and then approved by the manufacturer.

Reference should be made to the standard DIN 18 263, parts 1, 2, 3 and 5 'Door closers with hydraulic damping'. Virtually all basic requirements and additional requirements are defined in this standard. The suitability of use for door closers depends on factors such as frequency of actuation, actuation principle, environmental influences, and care and maintenance. Door closers must be replaced as soon as correct and reliable closing operation can no longer be guaranteed.

④ Product maintenance

Safety elements of door closers must be checked regularly, according to requirements, for wear and to ensure that they are fitted correctly and securely. Fixing screws must be tightened and any faulty components must be changed. Furthermore, the following maintenance work must be performed at least once per year (depending on the type of hinged leaf doors and their applications):

- ▶ All moving parts on the link arm must be greased
- ▶ The closer settings (e.g. closing speed) must be checked
- ▶ Smooth operation of the door must be checked
- ▶ In the case of door closers with special functions (hold-open devices/hold-open systems), the legal check, monitoring, and maintenance must be observed.

Only cleaning agents not containing any corrosive and damaging components should be used.

⑤ Obligations regarding information and instruction

The following media are available to the planner, specialist trader, manufacturer, building owner, and user:

- ▶ Catalogues, brochures
- ▶ Tender documents
- ▶ Mounting instructions, installation drawings, operating instructions, standards
- ▶ Consultation with field service personnel

The following points are essential for the correct use, reliable functioning, maintenance, and care of door closers for hinged-leaf doors:

- ▶ architects and planners must request and observe the necessary product information,
- ▶ specialist dealers and manufacturers must observe the product information and information in the price list, and especially request all necessary instructions and pass them on to the customer, installer or end user
- ▶ manufacturers must observe product information and pass it on to the customers and end users.

GEZE door closer – References



Arena Auf Schalke, Gelsenkirchen



Racing Circuit Istanbul



Königsbau Passagen, Stuttgart



Electronic Arts, London



Hesperia Tower Hotel, Barcelona



GEZE GmbH
P.O. Box 1363
71226 Leonberg
Germany

GEZE GmbH
Reinhold-Vöster-Straße 21-29
71229 Leonberg
Germany
Telefon +49 (0) 7152-203-0
Telefax +49 (0) 7152-203-310

www.geze.com

GEZE branch offices

Germany

GEZE GmbH
Niederlassung Nord/Ost
Bühningstraße 8
13086 Berlin (Weissensee)
Tel. +49 (0) 30-47 89 90-0
Fax +49 (0) 30-47 89 90-17
E-mail: berlin.de@geze.com

GEZE GmbH
Niederlassung West
Nordsternstraße 65
45329 Essen
Tel. +49 (0) 201-83082-0
Fax +49 (0) 201-83082-20
E-mail: essen.de@geze.com

GEZE GmbH
Niederlassung Mitte
Adenauerallee 2
61440 Oberursel (b. Frankfurt)
Tel. +49 (0) 6171-63610-0
Fax +49 (0) 6171-63610-1
E-mail: frankfurt.de@geze.com

GEZE GmbH
Niederlassung Süd
Reinhold-Vöster-Straße 21-29
71229 Leonberg
Tel. +49 (0) 7152-203-594
Fax +49 (0) 7152-203-438
E-mail: leonberg.de@geze.com

GEZE subsidiaries

Germany

GEZE Sonderkonstruktionen GmbH
Planken 1
97944 Boxberg-Schweigern
Tel. +49 (0) 7930-9294-0
Fax +49 (0) 7930-9294-10
E-mail: sk.de@geze.com

GEZE Service GmbH
Reinhold-Vöster-Straße 35
71229 Leonberg
Tel. +49 (0) 7152-9233-0
Fax +49 (0) 7152-9233-60
E-mail: info@geze-service.com

GEZE Service GmbH
Niederlassung Berlin
Bühningstraße 8
13086 Berlin (Weissensee)
Tel. +49 (0) 30-470217-30
Fax +49 (0) 30-470217-33

Europe

Benelux

GEZE Benelux B.V.
Leemkuil 1
Industrieterrein Kapelbeemd
5626 EA Eindhoven
Tel. +31 (0) 40-26290-80
Fax +31 (0) 40-26290-85
E-mail: benelux.nl@geze.com

France

GEZE France S.A.R.L.
ZAC de l'Orme Rond
RN 19
77170 Servon
Tel. +33 (0) 1-60626070
Fax +33 (0) 1-60626071
E-mail: france.fr@geze.com

Great Britain

GEZE UK Ltd.
Blenheim Way
Fradley Park
Lichfield
Staffordshire WS13 8SY
Tel. +44 (0) 1543-443000
Fax +44 (0) 1543-443001
E-mail: info@geze-uk.com

Italy

GEZE Italia Srl
Via Giotto 4
20040 Cambiago (MI)
Tel. +39 02 95 06 95-11
Fax +39 02 95 06 95-33
E-Mail italia.it@geze.it

GEZE Engineering Roma Srl
Via Lucrezia Romana 91
00178 Roma
Tel. +39 06-7265311
Fax +39 06-72653136
E-mail: gezeroma@libero.it

GEZE Engineering Bari Srl
Via Treviso 58
70022 Altamura (Bari)
Tel. +39 080-3115219
Fax +39 080-3164561
E-mail: gezebari@libero.it

Austria

GEZE Austria GmbH
Mayrwiesstraße 12
5300 Hallwang b. Salzburg
Tel. +43 (0) 662-663142
Fax +43 (0) 662-663142-15
E-mail: austria.at@geze.com

Poland

GEZE Polska Sp. z o.o.
ul. Annopol 3 (Zeran Park)
03-236 Warszawa
Tel. +48 (0) 22-8142211
Fax +48 (0) 22-6142540
E-mail: geze@geze.pl

Switzerland

GEZE Schweiz AG
Bodenackerstrasse 79
4657 Dulliken
Tel. +41 (0) 62-285 54 00
Fax +41 (0) 62-285 54 01
E-mail: schweiz.ch@geze.com

Spain

GEZE Iberia S.R.L.
Pol. Ind. El Pla
C/ Comerç, 2-22, Nave 12
08980 Sant Feliu de Llobregat
(Barcelona)
Tel. +34-(0) 9-02 19 40 36
Fax +34-(0) 9-02 19 40 35
E-mail: iberia.es@geze.com

Scandinavia Sweden

GEZE Scandinavia AB
Mallslingan 10
Box 7060
18711 Täby
Tel. +46 (0) 8-7323-400
Fax +46 (0) 8-7323-499
E-mail: sverige.se@geze.com

Norway

GEZE Scandinavia AB avd. Norge
Postboks 63
2081 Eidsvoll
Tel. +47 (0) 639-57200
Fax +47 (0) 639-57173
E-mail: norge.se@geze.com

Finland

GEZE Finland
Branch office of GEZE Scandinavia AB
Postbox 20
158 71 Hollola
Tel. +358 (0) 10-400 51 00
Fax +358 (0) 10-400 51 20
E-mail: finland.se@geze.com

Denmark

GEZE Danmark
Branch office of GEZE Scandinavia AB
Høje Taastrup Boulevard 53
DK-2630 Taastrup
Tel. +45 46 32 33 24
Fax +45 46 32 33 26
E-mail: danmark.se@geze.com

Middle East U.A.E.

GEZE Middle East
P.O. Box 17903
Jebel Ali Free Zone
Dubai
Tel. +971 (0) 4-8833112
Fax +971 (0) 4-8833240
E-mail: geze@emirates.net.ae

Asia

GEZE Industries (Tianjin) Co., Ltd.
Shuangchenzhong Road
Beichen Economic Development Area (BEDA)
Tianjin 300400, P.R. China
Tel. +86 (0) 22-26973995-0
Fax +86 (0) 22-26972702
E-mail: geze@public1.tpt.tj.cn

GEZE Industries (Tianjin) Co., Ltd.
Branch Office Shanghai
Rm. 3010 Building No. 2
3 Hongqiao Road
200030 Shanghai, P.R. China
Tel. +86-(0)21-52 34 09-60/-61
Fax +86-(0)21-64 47 20 07
E-mail: gezesh@geze.com.cn

GEZE Industries (Tianjin) Co., Ltd.
Branch Office Guangzhou
Room 1113, Jie Tai Plaza
218-222 Zhong Shan Liu Road
510180 Guangzhou
P.R. China
Tel. +86 (0) 20-813207-02
Fax +86 (0) 20-813207-05
E-mail: gezegz@public2.sta.net.cn

GEZE Industries (Tianjin) Co., Ltd.
Branch Office Beijing
No. 6-32 Building, Jili Avenue
Daxing District
Chaoyang District
Tel. +86-(0)10-87 97 51-77/-78
Fax +86-(0)10-87 97 51-71
E-mail: gezebj@geze.com.cn

GEZE Asia Sales Ltd.
No. 88-1-408, East Road
Free Trade Zone of Tianjin Port
Tianjin, P.R. China
Tel. +86 (0)22-26 97 39 95-0
Fax +86 (0)22 26 97 27 02
E-mail: geze@public1.tpt.tj.cn

GEZE Sonderkonstruktionen (Tianjin) Ltd.
No. 6-32 Building, Jili Avenue
Daxing District
Chaoyang District
100076 Beijing, P.R. China
Tel. +86 (0) 10-87 96 51-52
Fax +86 (0) 10-87 97 14-76

GEZE Representative