



GEZE TS 1500 / TS 2000 / TS SYSTEM 4000  
OVERHEAD DOOR CLOSERS WITH LINK ARM



**CONTENTS**

Overview table GEZE System TS 4000/TS 2000	<b>4</b>
<b>Overhead door closers for single-leaf doors</b>	
GEZE TS 1000 C	<b>6</b>
GEZE TS 1500	<b>10</b>
GEZE TS 2000 NV	<b>14</b>
GEZE TS 2000 V	<b>20</b>
GEZE TS 4000 size 1-6	<b>25</b>
GEZE TS 4000 size 5-7	<b>31</b>
GEZE TS 4000 E	<b>37</b>
GEZE TS 4000 R	<b>42</b>
<b>Overhead door closers with free-swing function</b>	
GEZE TS 4000 EFS	<b>46</b>
GEZE TS 4000 RFS	<b>51</b>
<b>Overhead door closer systems for double-leaf doors</b>	
GEZE TS 4000 IS	<b>55</b>
GEZE TS 4000 E-IS	<b>61</b>
GEZE TS 4000 R-IS	<b>68</b>
<b>Overhead door closer for single-leaf doors and gates</b>	
GEZE TS 4000 Tandem	<b>73</b>
<b>General product information</b>	
Cover caps for GEZE door closers	<b>77</b>
General product functions and information	<b>78</b>
Product information for door closers	<b>79</b>

## Overview table: GEZE System TS 4000/TS 2000

## For single-leaf doors

	TS 1000 C	TS 1500	TS 2000 NV	TS 2000 V	TS 4000 size 1-6	TS 4000 size 5-7	TS 4000 E	TS 4000 R	TS 4000 EFS	TS 4000 RFS
Approval for smoke and fire doors			●		●	●	●	●	●	●
Max. door leaf width (mm)	950	1100	1100	1250	1400	1600	1400	1400	1400	1400
<b>Potential applications:</b>										
Mounting on door leaf, hinge side	●	●	●	●	●	●	●		●	
Transom mounting, hinge side							● <sup>6)</sup>	● <sup>6)</sup>		● <sup>6)</sup>
Mounting on door leaf, opposite hinge side			● <sup>7)</sup>	● <sup>7)</sup>	● <sup>7)</sup>	● <sup>7)</sup>				
Transom mounting, opposite hinge side	●	●	●	●	●	●	●	●	●	●
<b>Functions:</b>										
Adjustable closing force	●	●	●	●	●	●	●	●	●	●
Adjustable back check			● <sup>2)</sup>	● <sup>2)</sup>	●	●				
Adjustable hydraulic latching action	●	●	●	●	●	●	●	●	●	●
Adjustable delayed closing action					● <sup>1)</sup>					
Adjustable closing speed	●	●	●	●	●	●	●	●	●	●
Mechanical hold-open <sup>3)</sup>	●	●	●	●	●	● <sup>4)</sup>				
Electro-hydraulic hold-open							●	●		
Electric hold-open for free-swing									●	●
Integrated smoke switch control unit								●		●
Integrated closing sequence control										
Free-swing function									●	●
<b>Page</b>	<b>6</b>	<b>10</b>	<b>14</b>	<b>20</b>	<b>25</b>	<b>31</b>	<b>37</b>	<b>42</b>	<b>46</b>	<b>51</b>

● = yes

<sup>1)</sup> Model TS 4000 S with delayed closing action<sup>2)</sup> Model TS 2000 NV BC/TS 2000 V BC<sup>3)</sup> Not with F and RD doors<sup>4)</sup> Hold-open linkage only effective up to EN 6<sup>5)</sup> System solution comprising TS 4000 IS/E-IS/R-IS on moving leaf combined with a TS 4000 /E/R-IS second unit on the fixed leaf and release mechanism in the rebate<sup>6)</sup> With guide rail, closing force EN 3 only, no DIBt (German Institute for Building Technology) approval<sup>7)</sup> With parallel arm mounting

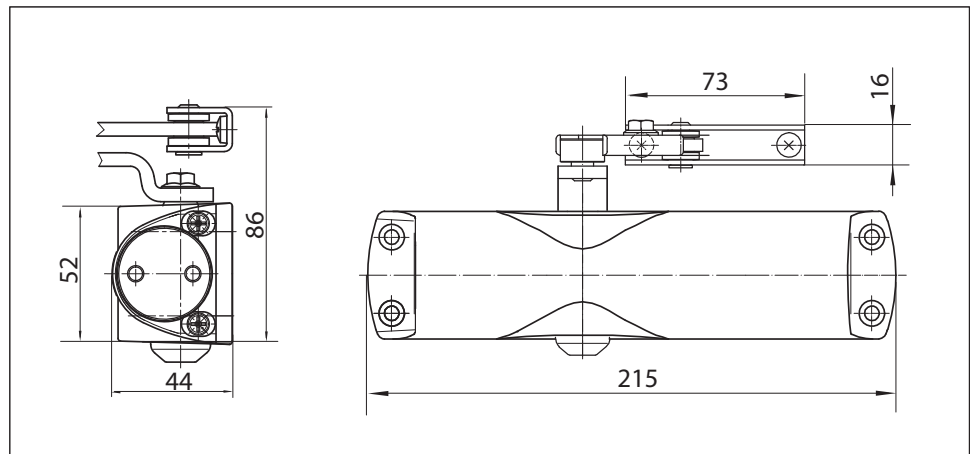
	TS 4000 tandem	TS 4000 IS <sup>5)</sup>	TS 4000 E-IS <sup>5)</sup>	TS 4000 R-IS <sup>5)</sup>
Approval for smoke and fire doors	●	●	●	●
Max. door leaf width (mm)	>1600	1400	1400	1400
<b>Potential applications:</b>				
Mounting on door leaf, hinge side	●	●	●	
Transom mounting, hinge side				
Mounting on door leaf, opposite hinge side	● <sup>7)</sup>			
Transom mounting, opposite hinge side	●	●	●	●
<b>Functions:</b>				
Adjustable closing force	●	●	●	●
Adjustable back check	●			
Adjustable hydraulic latching action	●	●	●	●
Adjustable delayed closing action				
Adjustable closing speed	●	●	●	●
Mechanical hold-open <sup>3)</sup>		●		
Electro-hydraulic hold-open			●	●
Electric hold-open for free-swing				
Integrated smoke switch control unit				●
Integrated closing sequence control		●	●	●
Free-swing function				
<b>Page</b>	<b>73</b>	<b>55</b>	<b>61</b>	<b>68</b>

**GEZE TS 1000 C****Link arm door closer for single-leaf doors with a leaf width of up to 950 mm**

The overhead door closer is suitable for single-leaf doors with a leaf width of up to 950 mm. The closing speed and hydraulic latching action can be adjusted. There are two different closing force settings, which can be selected simply by turning the bearing block for the link arm: 'Weak' closing force (size 2 acc. to EN 1154) for door leaf widths of up to 850 mm and "strong" closing force (size 3 acc. to EN 1154) for door leaf widths of up to 950 mm. The door closer is available with an optional mounting plate. This makes it suitable for left and right single-action doors without the need for conversion.

**Special version:**

- GEZE TS 1000 C with hold-open linkage featuring adjustable hold-open angle of between 70° and 150°

**GEZE TS 1000 C****Application range**

- For internal doors
- For single-action doors, leaf width of up to 950 mm
- Compatible with left-hand and right-hand doors without the need for conversion
- Standard mounting on door leaf, hinge side; transom mounting on opposite hinge side also possible

**Closer specifications**

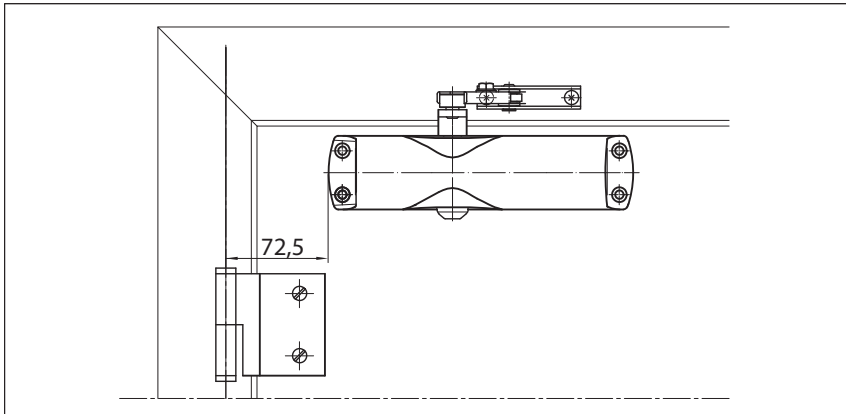
<b>Product features</b>	<b>GEZE TS 1000 C closer</b>
Closing force to EN1154	2/3
Leaf width recommended up to	950 mm
Identical version DIN-L and DIN-R	●
Product tested in acc. with	Door closer tested in acc. with EN1154
Length	215 mm
Installation depth	44 mm
Height	52 mm
<b>Functions</b>	
Adjustable closing force	d Via mounting
Adjustable closing speed	●
Adjustable latching action	d Via valve
Integrated back check	○
Closing force adjustment position	Mounting position

● = yes

○ = no

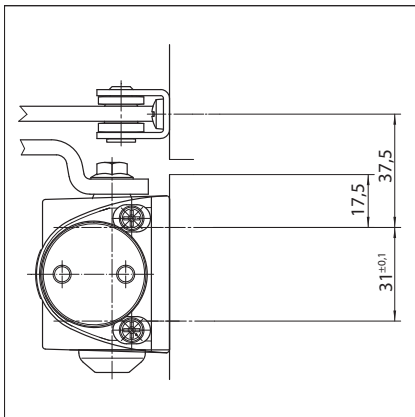
Door leaf mounting/hinge side TS 1000 C

View

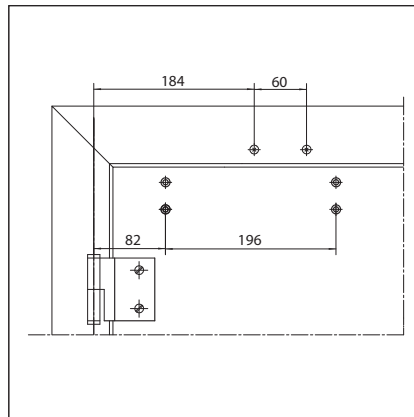


Mounting example for GEZE TS 1000 C

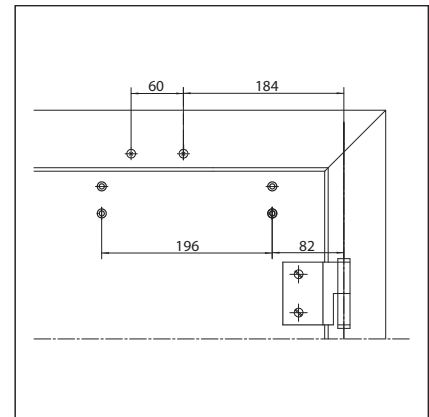
Direct mounting



Cross section = direct mounting

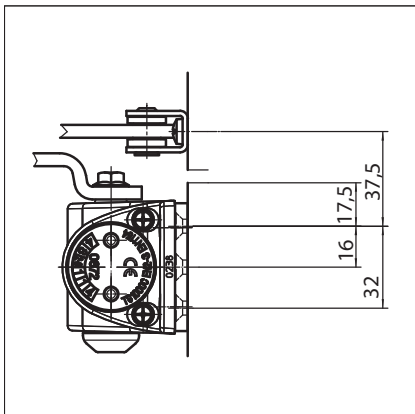


Fitting dimensions for left-hand door

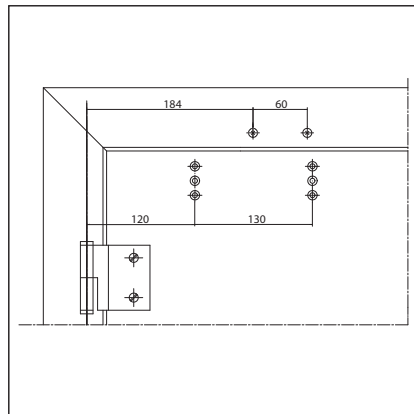


Fitting dimensions for right-hand door

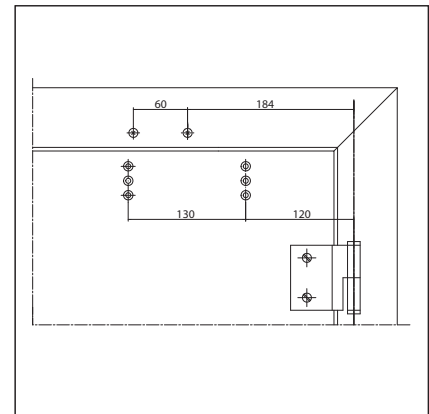
Mounting with mounting plate



Cross section = mounting with mounting plate



Fitting dimensions for left-hand door



Fitting dimensions for right-hand door



**GEZE TS 1000 C - Ordering information**

Designation	Version	ID no.
GEZE TS 1000 C closer Size EN 2/3 (without link arm)	Silver-coloured	114303
	Dark bronze	114304
	White RAL 9016	114305
	Black RAL 9005	114306
	Brass-coloured	114307
	Acc. to RAL <sup>1)</sup>	114308
GEZE TS 1000 C complete pack Size EN 2/3, with hold-open linkage	Silver-coloured	101771
	Dark bronze	101772
	White RAL 9016	101773
	Black RAL 9005	101774
	Brass-coloured	101777
	Acc. to RAL	101776
GEZE TS 1000 C complete pack Size EN 2/3, with link arm	Silver-coloured	101765
	Dark bronze	101766
	White RAL 9016	101767
	Black RAL 9005	101768
	Brass-coloured	101770
	Acc. to RAL	101769
Link arm TS 1500/1000C With mechanical hold-open	Silver-coloured	101815
	Dark bronze	101816
	White RAL 9016	101817
	Acc. to RAL <sup>1)</sup>	101818
Link arm TS 1500/1000C Standard	Silver-coloured	101878
	Dark bronze	101879
	White RAL 9016	101881
	Acc. to RAL <sup>1)</sup>	101882
<b>Installation material</b>		
Door closer mounting plate For TS 1000 C	Silver-coloured	072019
	Dark bronze	072020
	White RAL 9016	072021
	Black RAL 9005	072022

<sup>1)</sup> Surcharge for special RAL colours, see general information

## GEZE TS 1500

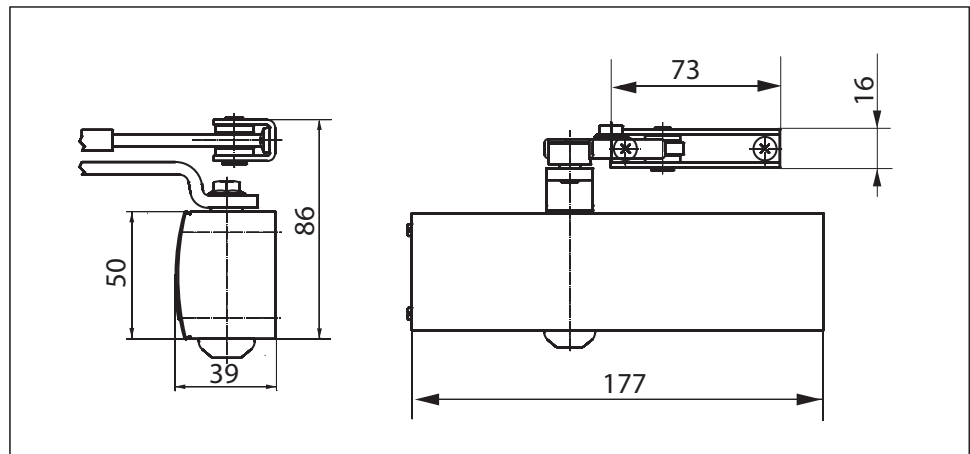
### Link arm door closer for single-leaf doors with a leaf width of up to 1100 mm

TS 1500 overhead door closer is suitable for single-leaf doors with a leaf width of up to 1100 mm. The closing speed and hydraulic latching action can be adjusted. There are two different closing force settings, which can be selected simply by turning the bearing block for the link arm: 'Weak' closing force (size 3 acc. to EN 1154) for door leaf widths of up to 950 mm and "strong" closing force (size 4 acc. to EN 1154) for door leaf widths of up to 1100 mm. The door closer is available with an optional mounting plate. This makes it suitable for left and right single-action doors without the need for conversion.

#### Special version:

- GEZE TS 1500 with hold-open linkage featuring adjustable hold-open angle of between 70° and 150°

### GEZE TS 1500



#### Application range

- For internal doors
- For single-action doors, leaf width of up to 1100 mm
- Compatible with left-hand and right-hand doors without the need for conversion
- Standard mounting on door leaf, hinge side; transom mounting on opposite hinge side also possible

**Closer specifications**

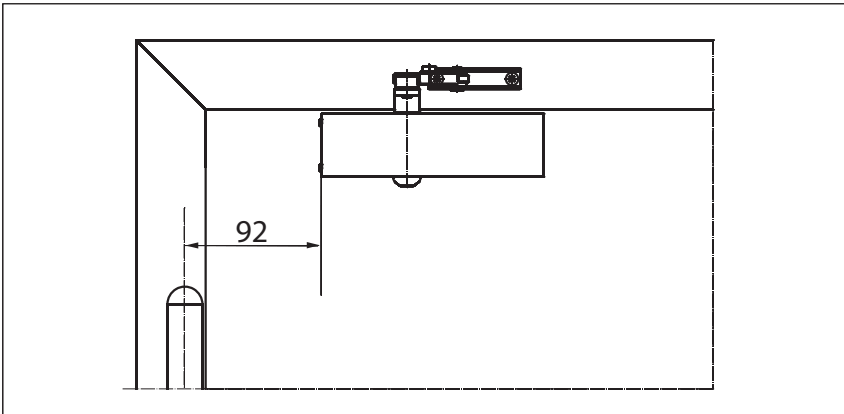
<b>Product features</b>	<b>GEZE TS 1500 closer</b>
Closing force to EN1154	3/4
Leaf width recommended up to	1100 mm
Identical version DIN-L and DIN-R	●
Product tested in acc. with	Door closer tested in acc. with EN1154
Length	177 mm
Installation depth	39 mm
Height	50 mm
<b>Functions</b>	
Adjustable closing force	● Via mounting
Adjustable closing speed	●
Adjustable latching action	● Via valve
Integrated back check	○
Closing force adjustment position	Mounting position

● = yes

○ = no

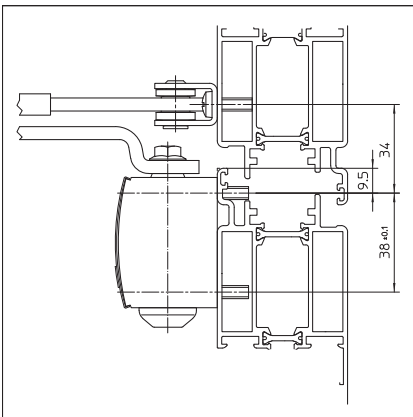
Door leaf mounting/hinge side TS 1500

View

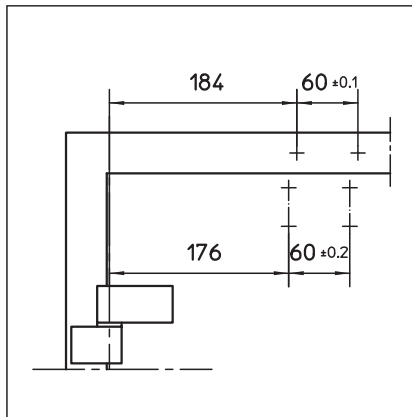


Mounting example for GEZE TS 1500

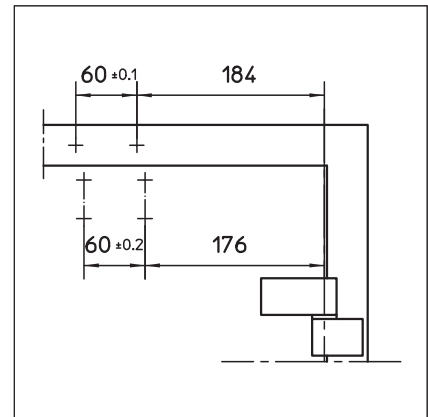
Direct mounting



Cross section = direct mounting

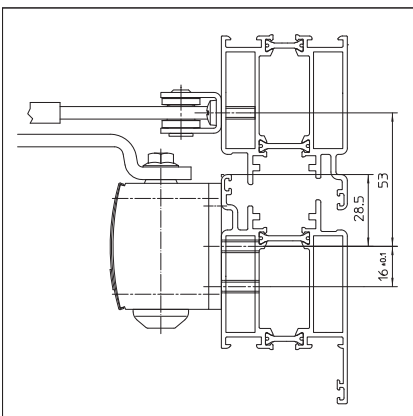


Fitting dimensions for left-hand door

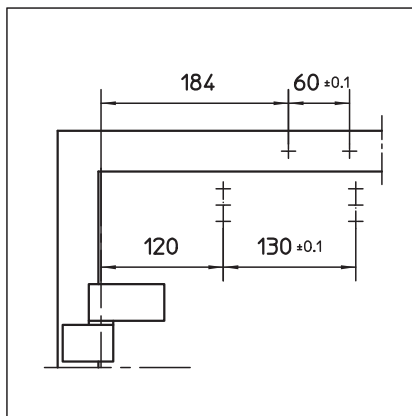


Fitting dimensions for right-hand door

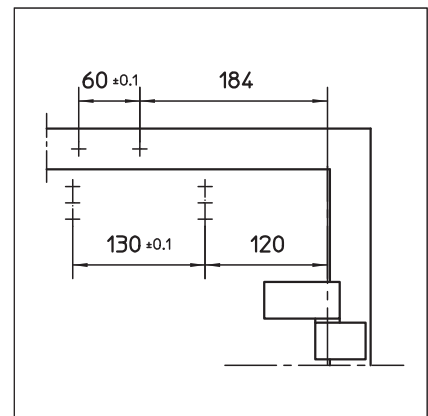
Mounting with mounting plate



Cross section = mounting with mounting plate



Fitting dimensions for left-hand door



Fitting dimensions for right-hand door

**GEZE TS 1500 – Ordering information**

Designation	Version	ID no.
GEZE TS 1500 closer Size EN 3/4 (without link arm)	Silver-coloured	101792
	Dark bronze	101793
	White RAL 9016	101794
	Acc. to RAL <sup>1)</sup>	101875
Link arm TS 1500/1000 C With mechanical hold-open	Silver-coloured	101815
	Dark bronze	101816
	White RAL 9016	101817
	Acc. to RAL <sup>1)</sup>	101818
Link arm TS 1500/1000 C Standard	Silver-coloured	101878
	Dark bronze	101879
	White RAL 9016	101881
	Acc. to RAL <sup>1)</sup>	101882
<b>Installation material</b>		
Door closer mounting plate For TS 1500	Silver-coloured	029682
	Dark bronze	029683
	White RAL 9016	029685
	Acc. to RAL <sup>1)</sup>	029686
<b>Accessories</b>		
Door closer cover cap For TS 1500, only suitable for door leaf installation	Silver-coloured	080147
	Dark bronze	080148
	White RAL 9016	080149
	Acc. to RAL	080150

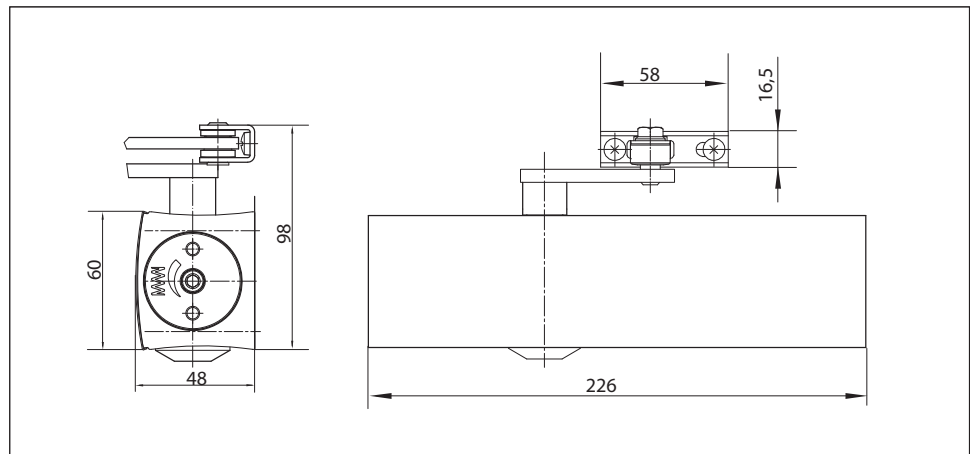
<sup>1)</sup> Surcharge for special RAL colours, see general information

**GEZE TS 2000 NV****Link arm door closer for single-leaf doors with a leaf width of up to 1100 mm**

TS 2000 NV overhead door closer is approved for use with left and right single-action doors with leaf widths of up to 1100 mm (without any need for conversion) and for use on smoke and fire doors. The closing force to DIN EN 1154 size 2-4 is infinitely variable and is adjusted at the side. The closing speed and latching action can be conveniently adjusted from the front.

**Special versions:**

- GEZE TS 2000 NV BC  
With hydraulic back check that can be adjusted from the front
- GEZE TS 2000 NV/NV BC with hold-open linkage  
With adjustable hold-open angle of between 70° and 150°

**GEZE TS 2000 NV****Application range**

- For single-action doors, leaf width of up to 1100 mm
- Compatible with left-hand and right-hand doors without the need for conversion
- For fireproof doors (door closers with mounting plate)
- Standard mounting on door leaf, hinge side; transom mounting on opposite hinge side also possible
- Can be installed on door leaf on opposite hinge side with parallel arm mounting

**Closer specifications**

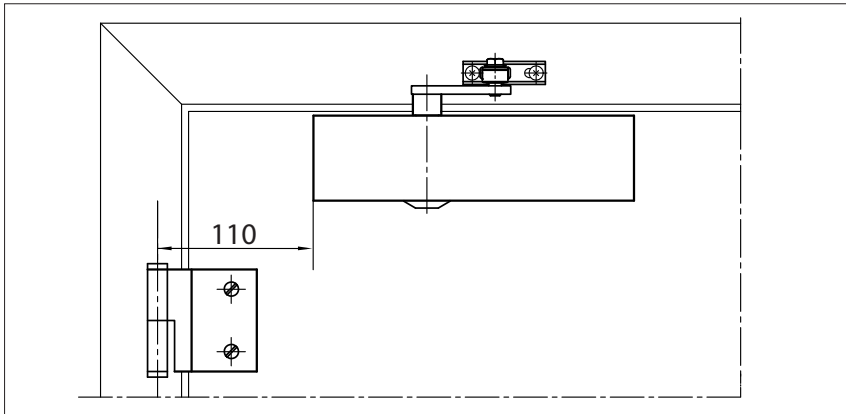
<b>Product features</b>	<b>GEZE TS 2000 NV closer</b>	<b>GEZE TS 2000 NV BC closer</b>
Closing force to EN1154		2 - 4
Leaf width recommended up to		1100 mm
Identical version DIN-L and DIN-R	●	●
Product tested in acc. with		Door closer tested in acc. with EN1154
Suitable for fireproof doors	●	●
Mounting plate with hole pattern acc. to EN1154 Supplement	●	●
Length		226 mm
Installation depth		48 mm
Height		60 mm
<b>Functions</b>		
Adjustable closing force		● Infinitely variable
Adjustable closing speed	●	●
Adjustable latching action		● Via valve
Integrated back check	○	Yes, hydraulically adjustable
Closing force adjustment position		On the side
Thermo-constant valves	●	●

● = yes

○ = no

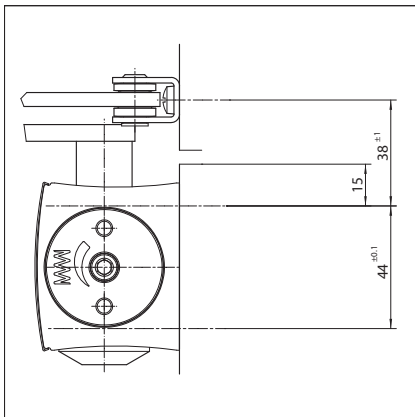
Door leaf mounting/hinge side TS 2000 NV/NV BC

View

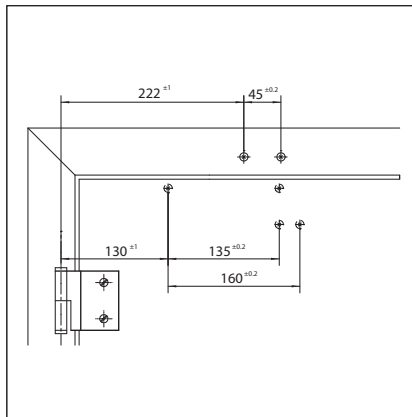


Mounting example for GEZE TS 2000 NV/NV BC

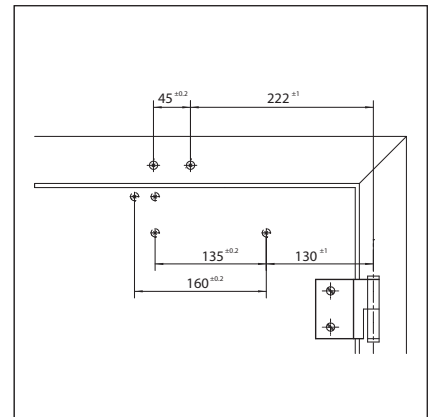
Direct mounting



Cross section = direct mounting

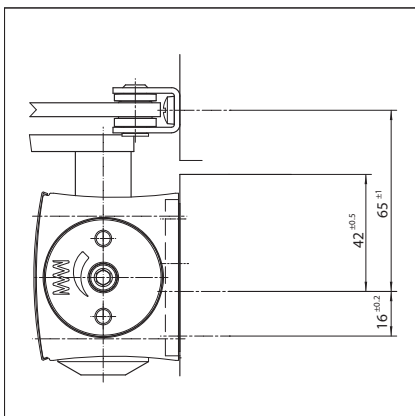


Fitting dimensions for left-hand door

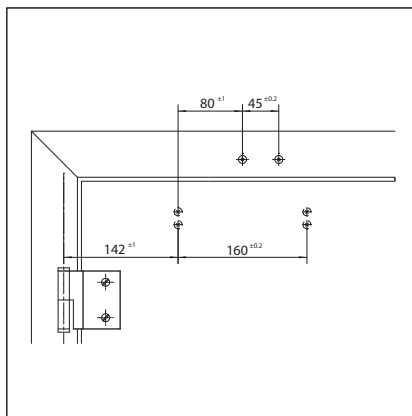


Fitting dimensions for right-hand door

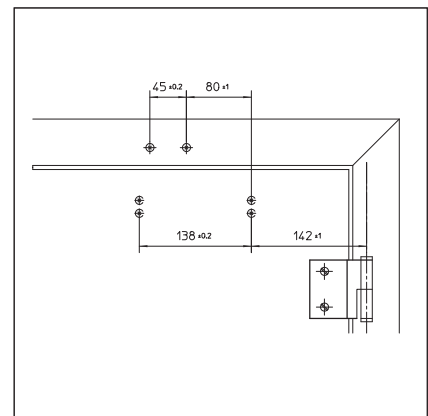
Mounting with mounting plate



Cross section = mounting with mounting plate



Fitting dimensions for left-hand door

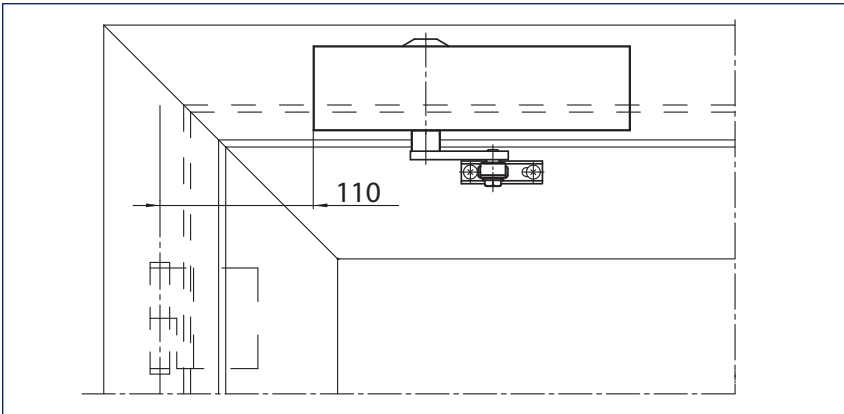


Fitting dimensions for right-hand door



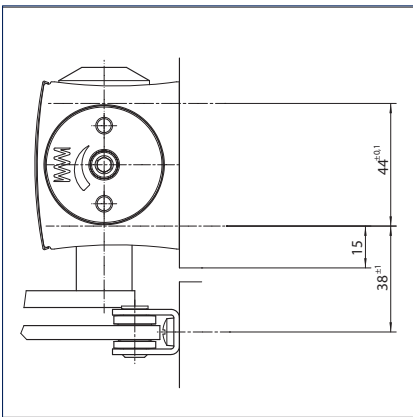
**Transom mounting/opposite hinge side TS 2000 NV/NV BC**

View

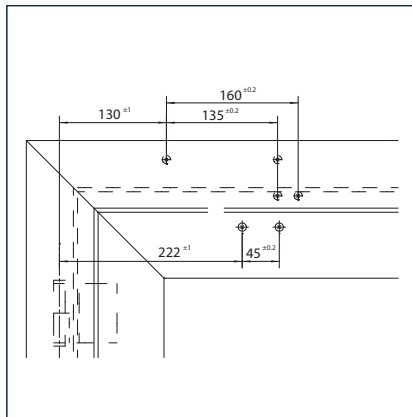


Mounting example for GEZE TS 2000 NV/NV BC

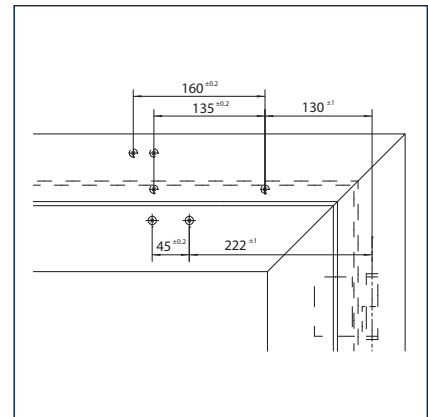
**Direct mounting**



Cross section = direct mounting

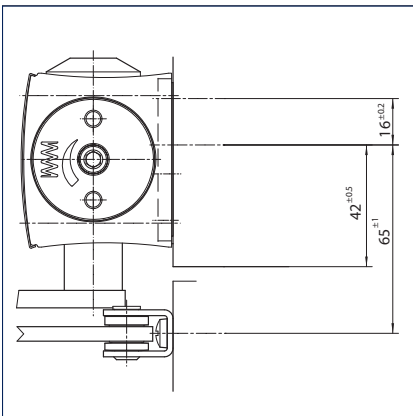


Fitting dimensions for right-hand door

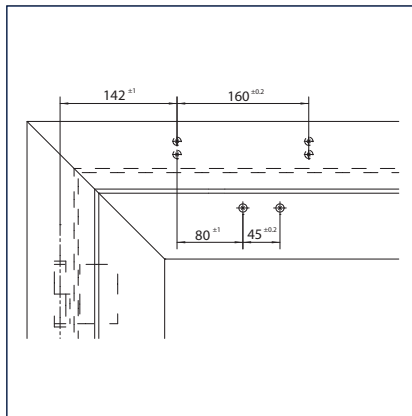


Fitting dimensions for left-hand door

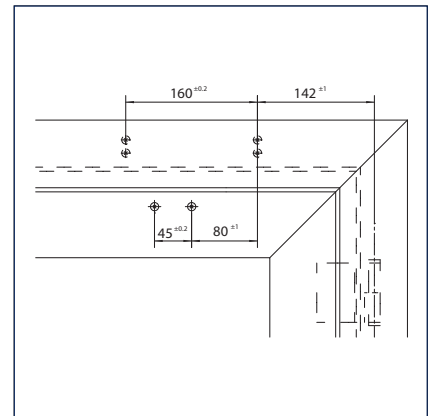
**Mounting with mounting plate**



Cross section = mounting with mounting plate



Fitting dimensions for right-hand door



Fitting dimensions for left-hand door

## GEZE TS 2000 NV - Ordering information

Designation	Ausführung	ID no.
GEZE TS 2000 NV closer Size EN 2-4 (without link arm)	Silver-coloured	128885
	Dark bronze	128886
	White RAL 9016	128887
	Acc. to RAL <sup>2)</sup>	128888
GEZE TS 2000 NV BC closer Size EN 2-4 with back check (without link arm)	Silver-coloured	124944
	Dark bronze	124945
	White RAL 9016	124946
	Acc. to RAL <sup>2)</sup>	124947
Link arm TS 4000/2000 <sup>3)</sup> With mechanical hold-open	Silver-coloured	102454
	Dark bronze	102455
	White RAL 9016	102456
	Acc. to RAL <sup>2)</sup>	102457
Link arm TS 4000/2000 With mechanical hold-open that can be switched on and off	Silver-coloured	102445
	Dark bronze	102446
	White RAL 9016	102447
	Acc. to RAL <sup>2)</sup>	102448
Link arm TS 4000/2000 Extended, for transom mounting with a soffit depth of 70-170 mm	Silver-coloured	102431
	Dark bronze	102432
	White RAL 9016	102433
	Acc. to RAL <sup>2)</sup>	102434
Link arm TS 4000/2000 Standard	Silver-coloured	102421
	Dark bronze	102422
	White RAL 9016	102423
	Stainless steel effect <sup>1)</sup>	102426
Acc. to RAL <sup>2)</sup>	102425	
<b>Installation material</b>		
Spindle extension for TS 4000/TS 2000 Crown type connection	10 mm Galvanised	103548
	10 mm Black	103677
	15 mm Galvanised	103549
	15 mm Black	103678
	20 mm Galvanised	103550
	20 mm Black	103679
Door closer drilling template For TS 5000/4000/3000/2000		053134
Glass clamping plate for door closer For TS 3000/TS 2000NV	Silver-coloured	014835
	Dark bronze	014836
	White RAL 9016	014843
	nach RAL <sup>2)</sup>	014845
All-glass door mounting and counter plate For TS 3000/TS 2000NV	Silver-coloured	090259
Link arm mounting plate For TS 4000/2000, with narrow rebates	Silver-coloured	057109
	Acc. to RAL <sup>2)</sup>	082506
Link arm mounting plate For TS 4000/2000, with parallel arm mounting	Silver-coloured	053318
	Dark bronze	053319
	Acc. to RAL <sup>2)</sup>	027460
Mounting plate for segmental arch door For TS 2000 NV, max. arch height 130 mm	Silver-coloured	127434
	Acc. to RAL <sup>2)</sup>	127435
Door closer mounting plate For TS 2000 NV & NV BC with hole pattern acc. to DIN EN 1154 Supplement 1		126234
Lintel casing bracket for transom mounting hinge-counterside For TS 2000 NV	Silver-coloured	127432

**Accessories**

Door closer cover cap

For TS 3000/TS 2000, only suitable for door leaf installation

Silver-coloured 013487

Dark bronze 014849

White RAL 9016 014855

Brass 072770

Stainless steel 072769

Acc. to RAL <sup>2)</sup> 014856

1) Only suitable for dry rooms

2) Surcharge for special RAL colours, see general information

3) Not approved for smoke and fire doors in Germany

## GEZE TS 2000 V

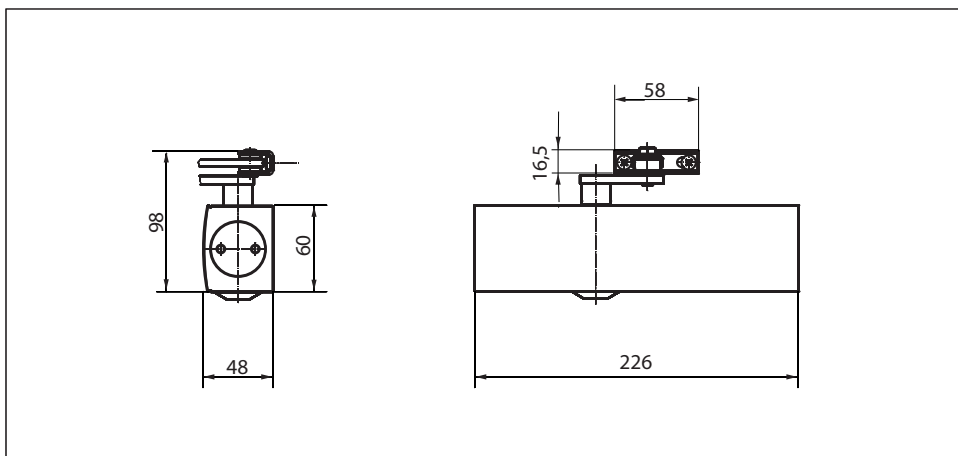
### Link arm door closer for single-leaf doors with a leaf width of up to 1250 mm

TS 2000 V overhead door closer is suitable for single-leaf doors with a leaf width of up to 1250 mm. The closing force is variable in accordance with DIN EN 1154, size 2/4/5 (closing force is varied by changing the mounting position, but same size of closer is used in all cases). The closing speed can be conveniently adjusted from the front and the latching action is adjusted by means of the link arm. The door closer is available with an optional mounting plate. This makes it suitable for left and right single-action doors without the need for conversion.

#### Special versions:

- GEZE TS 2000 V BC  
With hydraulic latching action that can be adjusted from the front and fixed back check setting
- GEZE TS 2000 V with hold-open linkage  
With adjustable hold-open angle of between 70° and 150°

## GEZE TS 2000 V



#### Application range

- For single-action doors, leaf width of up to 1250 mm
- Compatible with left-hand and right-hand doors without the need for conversion
- Standard mounting on door leaf, hinge side; transom mounting on opposite hinge side also possible
- Can be installed on door leaf on opposite hinge side with parallel arm mounting

**Closer specifications**

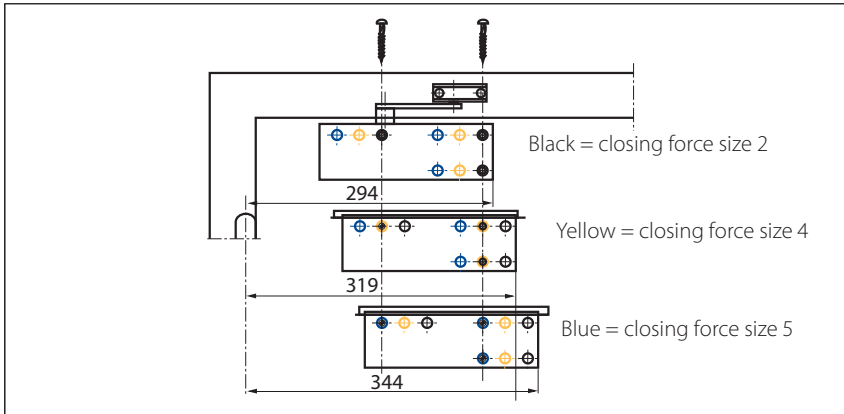
Product features	GEZE TS 2000 V closer	GEZE TS 2000 VBC closer
Closing force to EN1154		2/4/5
Leaf width recommended up to		1250 mm
Identical version DIN-L and DIN-R	●	●
Product tested in acc. with	Door closer tested in acc. with EN1154	
Length		226 mm
Installation depth		48 mm
Height		60 mm
<b>Functions</b>		
Adjustable closing force	Yes, via mounting	
Adjustable closing speed	●	●
Adjustable latching action	● Via link arm	● Via valve
Integrated back check	○	● Hydraulic, fixed
Closing force adjustment position	Mounting position	
Thermo-constant valves	●	●

● = yes

○ = no

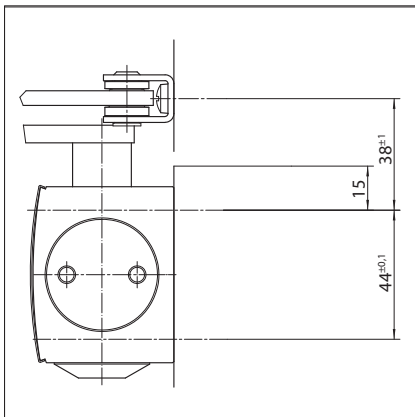
Door leaf mounting/hinge side TS 2000 V/V BC

View

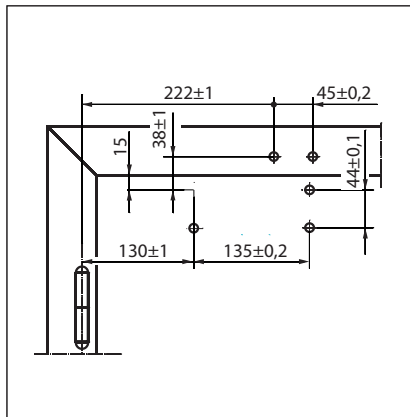


Mounting example for GEZE TS 2000 V/V BC (closing force EN 2/4/5)

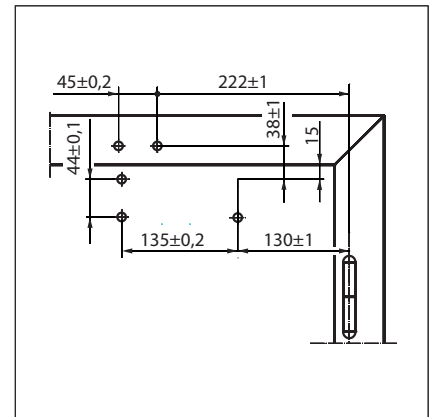
Direct mounting



Cross section = direct mounting

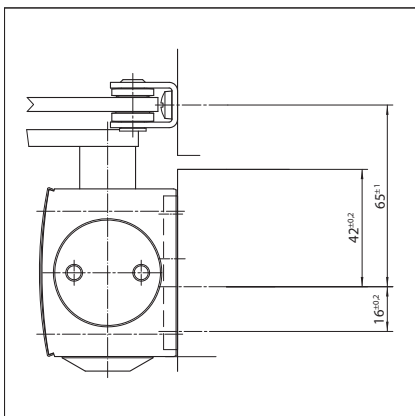


Fitting dimensions for left-hand door

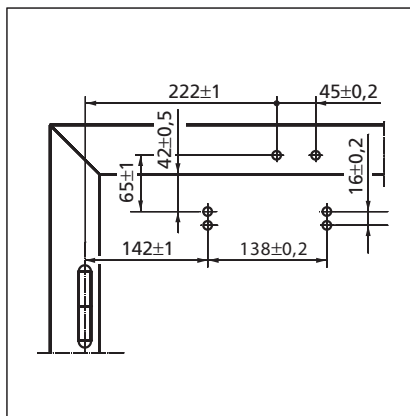


Fitting dimensions for right-hand door

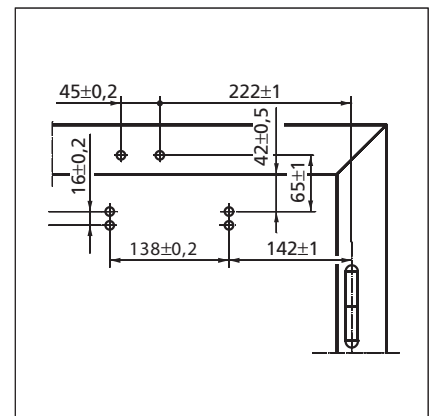
Mounting with mounting plate



Cross section = mounting with mounting plate



Fitting dimensions for left-hand door



Fitting dimensions for right-hand door

## GEZE TS 2000 V – Ordering information

Designation	Version	ID no.
GEZE TS 2000 V closer Size EN 2/4/5 (without link arm)	Silver-coloured	103386
	Dark bronze	103387
	White RAL 9016	103388
	Acc. to RAL <sup>2)</sup>	103389
GEZE TS 2000 VBC closer Size EN 2/4/5 with back check (without link arm)	Silver-coloured	103392
	Dark bronze	103393
	White RAL 9016	103394
	Acc. to RAL <sup>2)</sup>	103406
Link arm TS 4000/2000 <sup>3)</sup> With mechanical hold-open	Silver-coloured	102454
	Dark bronze	102455
	White RAL 9016	102456
	Acc. to RAL <sup>2)</sup>	102457
Link arm TS 4000/2000 With mechanical hold-open that can be switched on and off	Silver-coloured	102445
	Dark bronze	102446
	White RAL 9016	102447
	Acc. to RAL <sup>2)</sup>	102448
Link arm TS 4000/2000 Extended, for transom mounting with a soffit depth of 70-170 mm	Silver-coloured	102431
	Dark bronze	102432
	White RAL 9016	102433
	Acc. to RAL <sup>2)</sup>	102434
Link arm TS 4000/2000 Standard	Silver-coloured	102421
	Dark bronze	102422
	White RAL 9016	102423
	Stainless steel effect <sup>1)</sup>	102426
Acc. to RAL <sup>2)</sup>	102425	
<b>Installation material</b>		
Spindle extension for TS 4000/TS 2000 Crown type connection	10 mm Galvanised	103548
	10 mm Black	103677
	15 mm Galvanised	103549
	15 mm Black	103678
	20 mm Galvanised	103550
	20 mm Black	103679
Door closer drilling template For TS 5000/4000/3000/2000		053134
Glass clamping plate for door closer For TS 2000 V	Silver-coloured	055773
	Dark bronze	055774
	Acc. to RAL	009499
	Acc. to RAL <sup>2)</sup>	009500
Link arm mounting plate For TS 4000/2000, with narrow rebates	Silver-coloured	057109
	Acc. to RAL <sup>2)</sup>	082506
Link arm mounting plate For TS 4000/2000, with parallel arm mounting	Silver-coloured	053318
	Dark bronze	053319
	Acc. to RAL <sup>2)</sup>	027460
Mounting plate for segmental arch door For TS 2000 V, max. arch height 130 mm	Silver-coloured	059044
	Dark bronze	059045
Door closer mounting plate For TS 2000 V		055756
Lintel casing bracket for transom mounting hinge-counterside For TS 2000 V	Silver-coloured	055766
	Dark bronze	055767
	Acc. to RAL <sup>2)</sup>	104450

1) Only suitable for dry rooms

2) Surcharge for special RAL colours, see general information

3) Not approved for smoke and fire doors in Germany

**Accessories**

Door closer cover cap

For TS 3000/TS 2000, only suitable for door leaf installation

Silver-coloured	013487
Dark bronze	014849
White RAL 9016	014855
Brass	072770
Stainless steel	072769
Acc. to RAL <sup>2)</sup>	014856

1) Only suitable for dry rooms

2) Surcharge for special RAL colours, see general information

3) Not approved for smoke and fire doors in Germany



## GEZE TS 4000

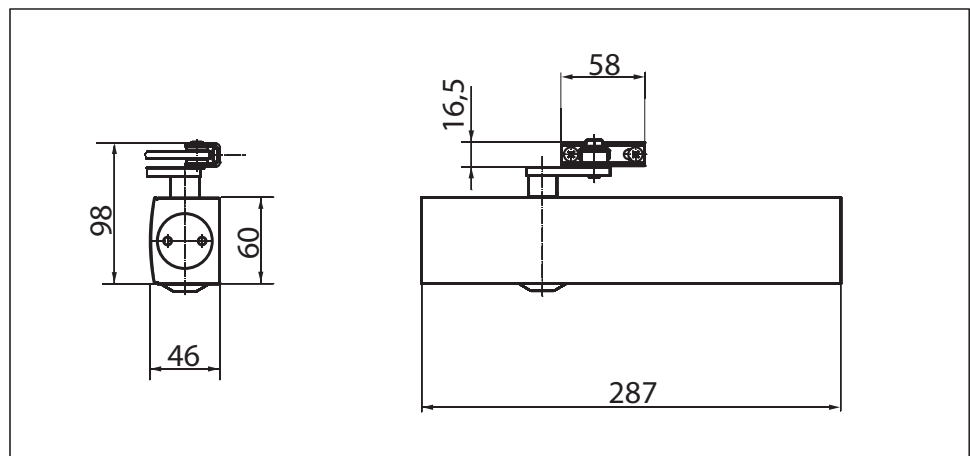
### Link arm door closer for single-leaf doors with a leaf width of up to 1400 mm

TS 4000 overhead door closer is approved for use with left and right single-action doors with leaf widths of up to 1400 mm (without any need for conversion) and for mounting on smoke and fire doors. The closing force to EN 1154 size 1-6 is infinitely variable from the front and is easy to monitor thanks to the optical size indicator. The back check and thermo-constant closing speed are also adjustable from the front; the latching action is adjusted by means of the link arm. The closer features a safety valve for both the open and close directions.

#### Special versions:

- GEZE TS 4000 with hold-open linkage  
Hold-open angle of up to 150° (must not be used on smoke and fire doors)
- GEZE TS 4000 S  
With delayed closing action of up to 30 seconds, adjustable from the front (delayed closing action not effective with transom mounting on opposite hinge side).
- GEZE TS 4000 door closer, wet room version  
Same as TS 4000, but with specially nickel-plated spindle, bearing shells and stainless steel screw accessories for aggressive environments.

## GEZE TS 4000



### Application range

- For single-action doors, leaf width of up to 1400 mm
- Compatible with left-hand and right-hand doors without the need for conversion
- For fireproof doors (door closers with mounting plate)
- Standard mounting on door leaf, hinge side; transom mounting on opposite hinge side also possible
- Can be installed on door leaf on opposite hinge side with parallel arm mounting

## Closer specifications

Product features	GEZE TS 4000 closer	GEZE TS 4000 S closer
Closing force to EN1154	1 - 6	
Leaf width recommended up to	1400 mm	
Identical version DIN-L and DIN-R	●	●
Product tested in acc. with	Door closer tested in acc. with EN1154	
Suitable for fireproof doors	●	●
Mounting plate with hole pattern acc. to EN1154 Supplement	●	●
Length	287 mm	
Installation depth	46 mm	
Height	60 mm	

## Functions

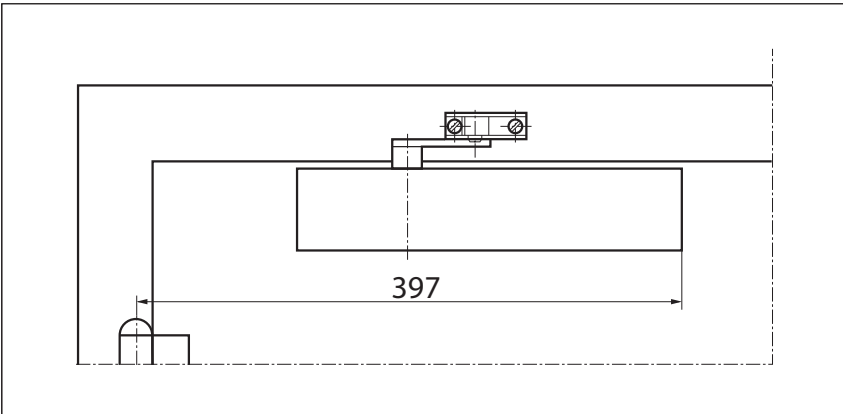
Adjustable closing force	● Infinitely variable	
Adjustable closing speed	●	●
Adjustable latching action	● Via link arm	● Via valve
Integrated back check	● Hydraulically adjustable	
Integrated delayed closing action		●
Closing force adjustment position	Front	
Optical closing force display	●	●
Safety valve featuring protection against vandalism	●	●
Thermo-constant valves	●	●

● = yes

○ = no

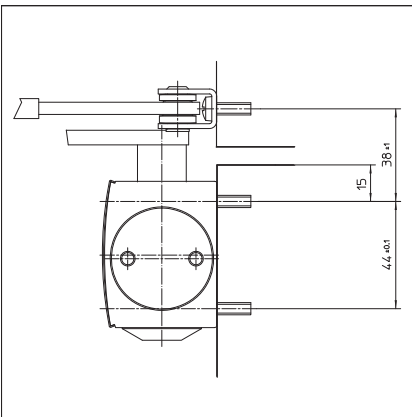
Door leaf mounting/hinge side TS 4000

View

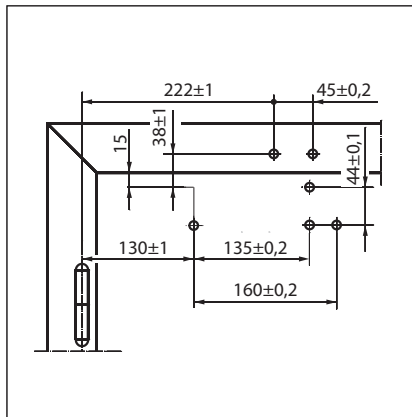


Mounting example for GEZE TS 4000 1-6, TS 4000 S, TS 4000 wet room

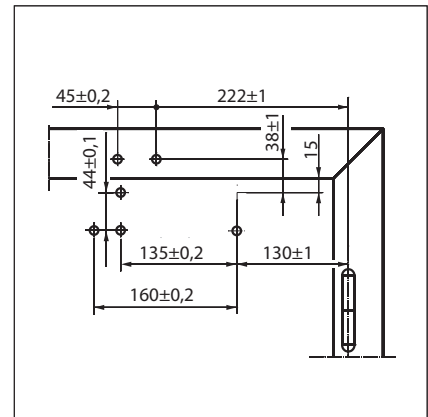
Direct mounting



Cross section = direct mounting

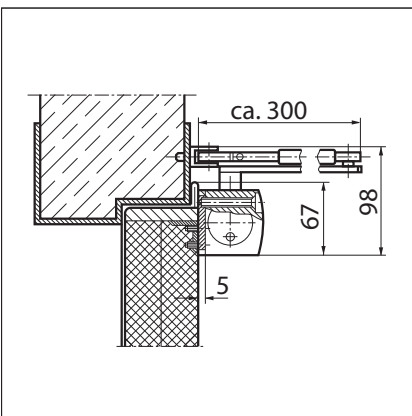


Fitting dimensions for left-hand door

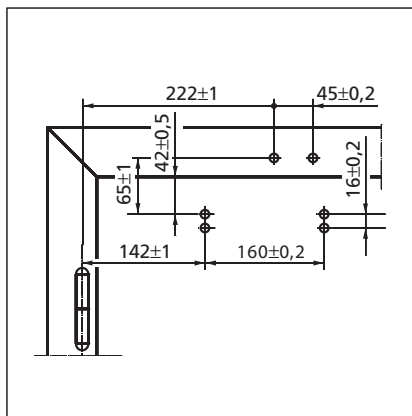


Fitting dimensions for right-hand door

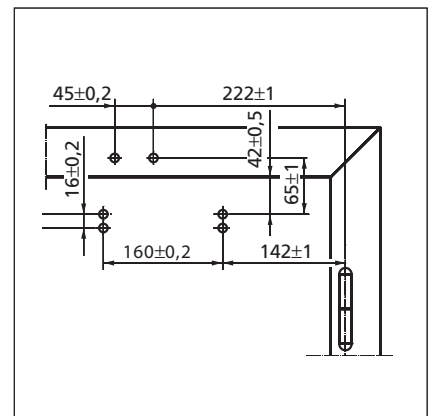
Mounting with mounting plate



Cross section = mounting with mounting plate



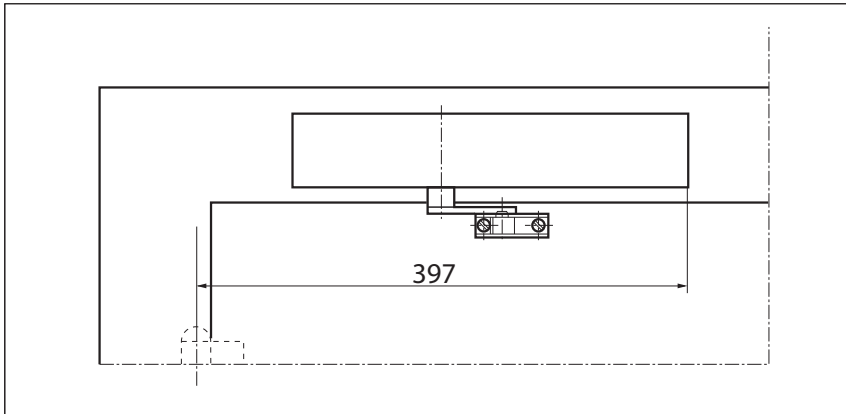
Fitting dimensions for left-hand door



Fitting dimensions for right-hand door

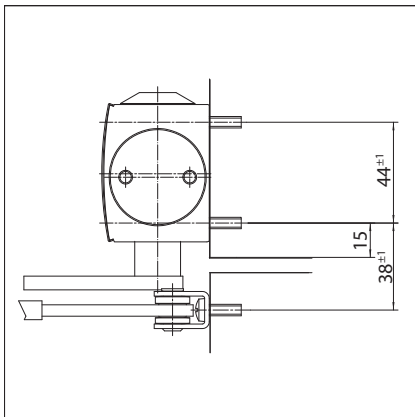
**Transom mounting/opposite hinge side TS 4000**

View

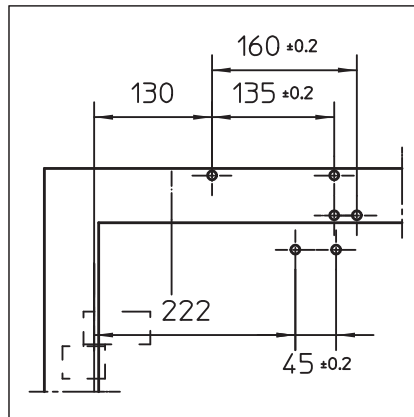


Mounting example for GEZE TS 4000 1-6, TS 4000 S, TS 4000 wet room

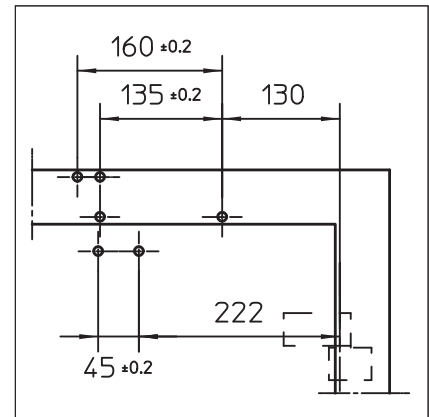
**Direct mounting**



Cross section = direct mounting

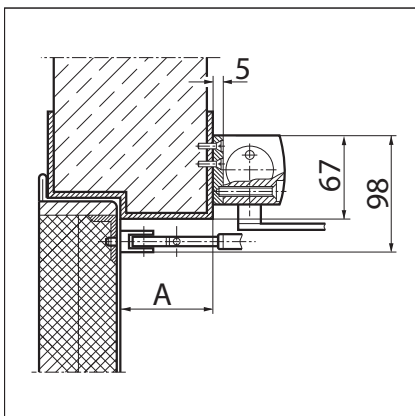


Fitting dimensions for right-hand door

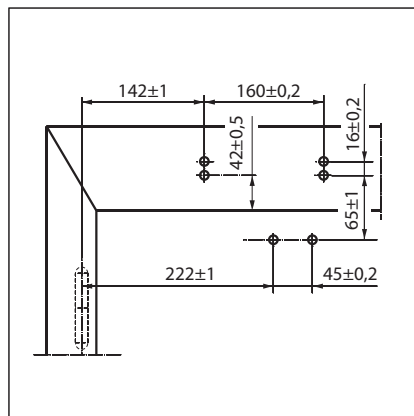


Fitting dimensions for left-hand door

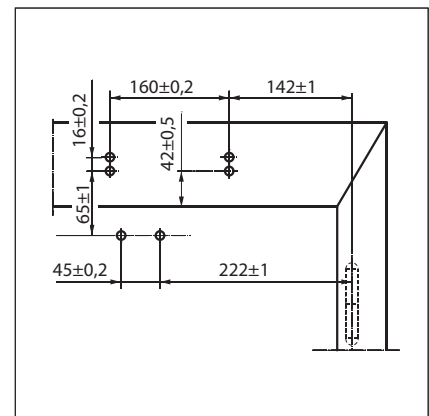
**Mounting with mounting plate**



Cross section = mounting with mounting plate  
A = max. 70 mm lintel depth with smoke and fire doors



Fitting dimensions for right-hand door



Fitting dimensions for left-hand door

**GEZE TS 4000 – Ordering information**

Designation	Version	ID no.
GEZE TS 4000 closer Size EN 1-6 with back check (without link arm)	Silver-coloured	102789
	Dark bronze	102790
	White RAL 9016	102791
	Acc. to RAL <sup>2)</sup>	102792
GEZE TS 4000 S closer Size EN 1-6 with delayed closing action and back check (without link arm)	Silver-coloured	107745
	Dark bronze	107746
	White RAL 9016	107747
	Acc. to RAL <sup>2)</sup>	107748
Link arm TS 4000/2000 <sup>3)</sup> With mechanical hold-open	Silver-coloured	102454
	Dark bronze	102455
	White RAL 9016	102456
	Acc. to RAL <sup>2)</sup>	102457
Link arm TS 4000/2000 With mechanical hold-open that can be switched on and off	Silver-coloured	102445
	Dark bronze	102446
	White RAL 9016	102447
	Acc. to RAL <sup>2)</sup>	102448
Link arm TS 4000/2000 Extended, for transom mounting with a soffit depth of 70-170 mm	Silver-coloured	102431
	Dark bronze	102432
	White RAL 9016	102433
	Acc. to RAL <sup>2)</sup>	102434
Link arm TS 4000/2000 Standard	Silver-coloured	102421
	Dark bronze	102422
	White RAL 9016	102423
	Stainless steel effect <sup>1)</sup>	102426
Acc. to RAL <sup>2)</sup>	102425	
GEZE TS 4000 wet room version complete pack Size EN 1-6 with back check, special protection against corrosion with stainless steel screw accessories and standard link arm	Silver-coloured	120104

1) Only suitable for dry rooms

2) Surcharge for special RAL colours, see general information

3) Not approved for smoke and fire doors in Germany

**Installation material**

Spindle extension for TS 4000/TS 2000 Crown type connection	10 mm	Galvanised	103548
	10 mm	Black	103677
	15 mm	Galvanised	103549
	15 mm	Black	103678
	20 mm	Galvanised	103550
	20 mm	Black	103679
Door closer drilling template For TS 5000/4000/3000/2000			053134
Glass clamping plate for door closer For TS 5000/TS 4000		Silver-coloured	057126
		Dark bronze	057127
		White RAL 9016	009491
		Acc. to RAL <sup>2)</sup>	009494
All-glass door mounting and counter plate For TS 5000/TS 4000		Silver-coloured	007923
		Dark bronze	007924
		Acc. to RAL <sup>2)</sup>	007926
Link arm mounting plate For TS 4000/2000, with narrow rebates		Silver-coloured	057109
		Acc. to RAL <sup>2)</sup>	082506
Link arm mounting plate For TS 4000/2000, with parallel arm mounting		Silver-coloured	053318
		Dark bronze	053319
		Acc. to RAL <sup>2)</sup>	027460
Mounting plate for segmental arch door For TS 4000, max. arch height 130 mm		Silver-coloured	058782
		Dark bronze	058783
		Acc. to RAL <sup>2)</sup>	119472
Door closer mounting plate For TS 5000/4000 with hole pattern acc. to DIN EN 1154 Supplement 1		Silver-coloured	049185
		Dark bronze	052351
		White RAL 9016	068627
		Galvanised	057956
		Acc. to RAL <sup>2)</sup>	029176
Lintel casing bracket for transom mounting hinge-counterside For TS 5000/TS 4000		Silver-coloured	049240
		Dark bronze	052352
		Acc. to RAL <sup>2)</sup>	104451

**Accessories**

Door closer cover cap For TS 5000/TS 4000, only suitable for door leaf installation		Silver-coloured	067724
		Dark bronze	067725
		White RAL 9016	067726
		Brass	072698
		Stainless steel	072696
		Acc. to RAL <sup>2)</sup>	000756

1) Only suitable for dry rooms

2) Surcharge for special RAL colours, see general information

3) Not approved for smoke and fire doors in Germany

## GEZE TS 4000 size 5-7

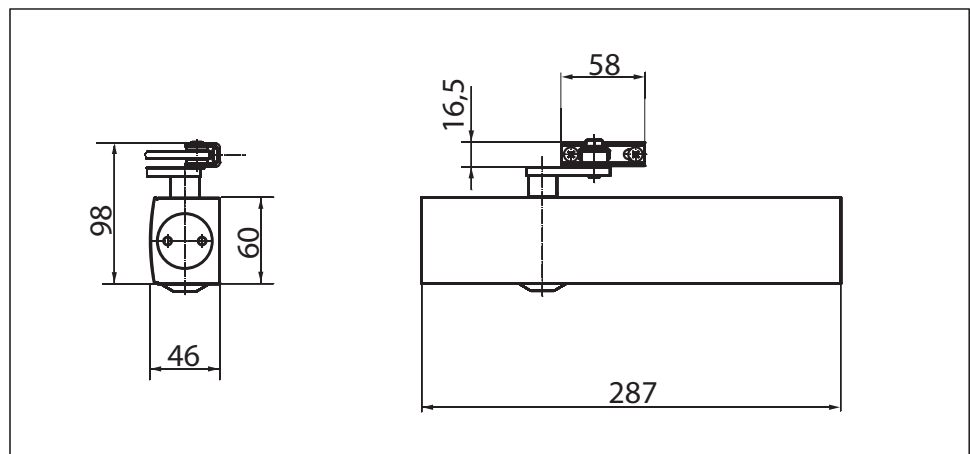
### Link arm door closer for single-leaf doors with a leaf width of up to 1600 mm

TS 4000 overhead door closer is approved for use with left and right single-action doors with leaf widths of up to 1600 mm (without any need for conversion) and for mounting on smoke and fire doors. The closing force to EN 1154 size 5-7 is infinitely variable from the front and is easy to monitor thanks to the optical size indicator. The back check and thermo-constant closing speed are also adjustable from the front; the latching action is adjusted by means of the link arm. The closer features a safety valve for both the open and close directions.

#### Special versions:

- GEZE TS 4000 with hold-open linkage  
Hold-open angle of up to 150° (must not be used on smoke and fire doors, hold-open mechanism only effective up to size EN 6)

### GEZE TS 4000 size 5-7



#### Application range

- For single-action doors, leaf width of up to 1600 mm
- Compatible with left-hand and right-hand doors without the need for conversion
- For fireproof doors (door closers with mounting plate)
- Standard mounting on door leaf, hinge side; transom mounting on opposite hinge side also possible
- Can be installed on door leaf on opposite hinge side with parallel arm mounting

**Closer specifications**

Product features	GEZE TS 4000 closer
Closing force to EN1154	5 - 7
Leaf width recommended up to	1600 mm
Identical version DIN-L and DIN-R	●
Product tested in acc. with	Door closer tested in acc. with EN1154
Suitable for fireproof doors	●
Mounting plate with hole pattern acc. to EN1154 Supplement	●
Length	287 mm
Installation depth	46 mm
Height	60 mm
<b>Functions</b>	
Adjustable closing force	● Infinitely variable
Adjustable closing speed	●
Adjustable latching action	● Via link arm
Integrated back check	● Hydraulically adjustable
Closing force adjustment position	Front
Optical closing force display	●
Safety valve featuring protection against vandalism	●
Thermo-constant valves	●

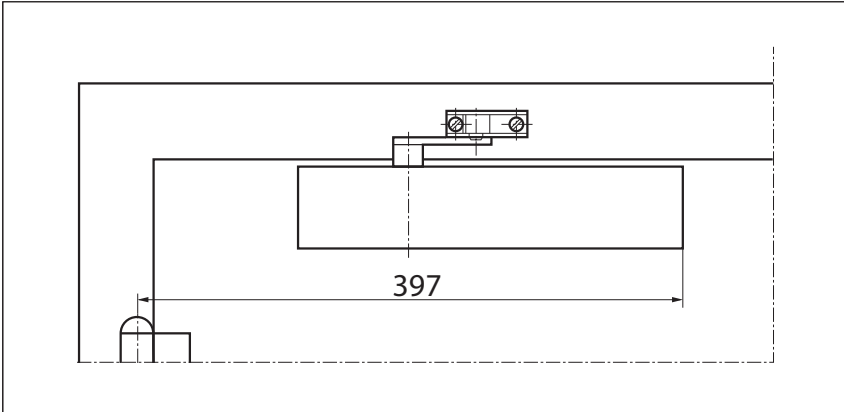
● = yes

○ = no



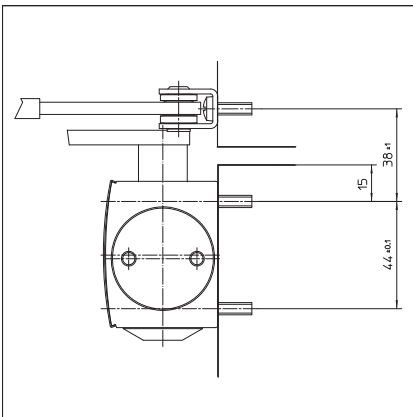
Door leaf mounting/hinge side TS 4000 size 5-7

View

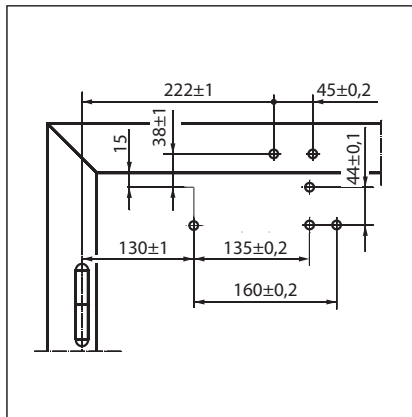


Mounting example for GEZE TS 4000 5-7

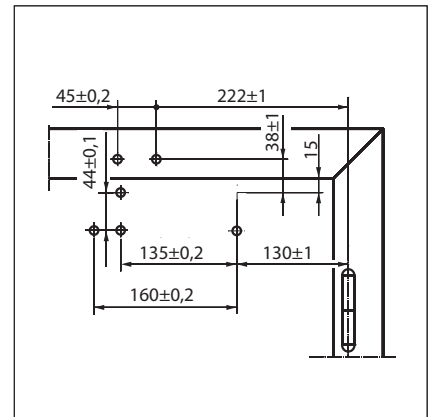
Direct mounting



Cross section = direct mounting

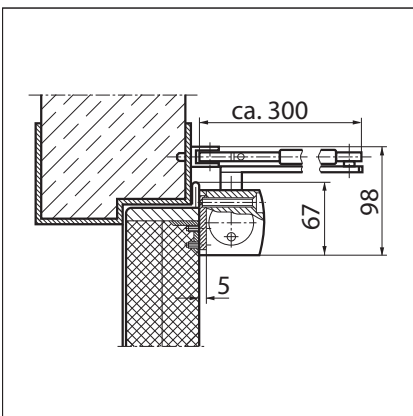


Fitting dimensions for left-hand door

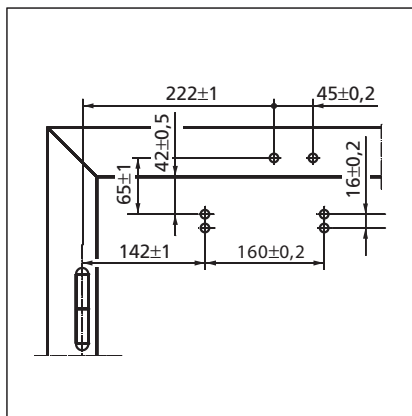


Fitting dimensions for right-hand door

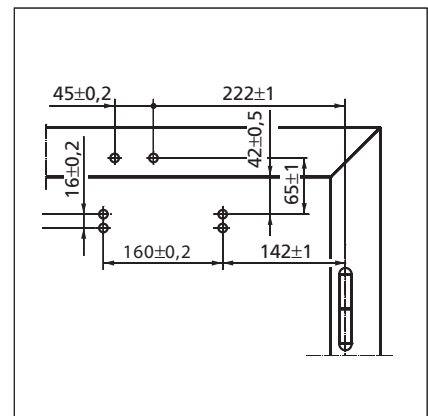
Mounting with mounting plate



Cross section = mounting with mounting plate



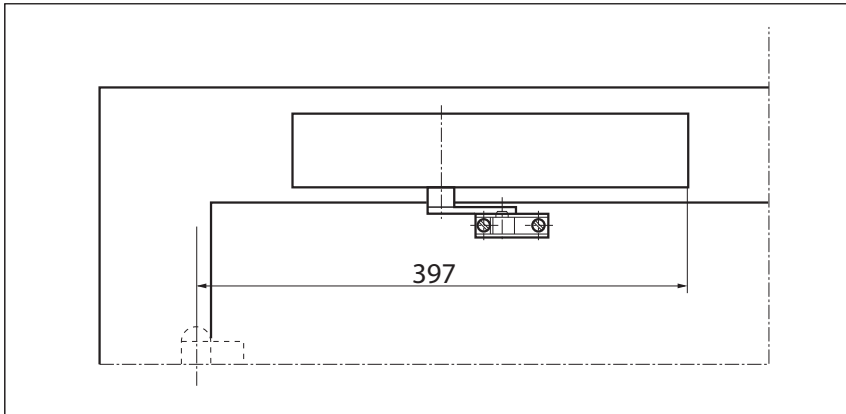
Fitting dimensions for left-hand door



Fitting dimensions for right-hand door

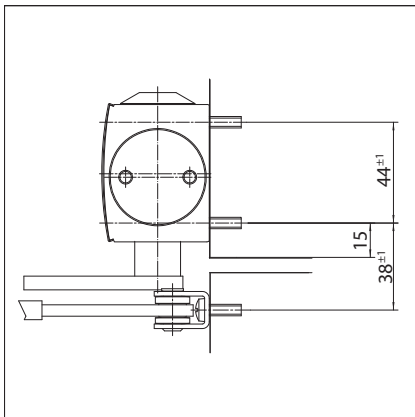
Transom mounting/opposite hinge side TS 4000 size 5-7

View

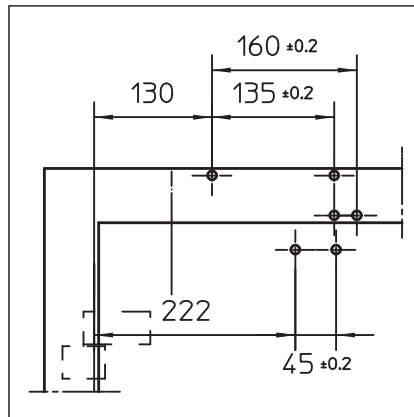


Mounting example for GEZE TS 4000 5-7

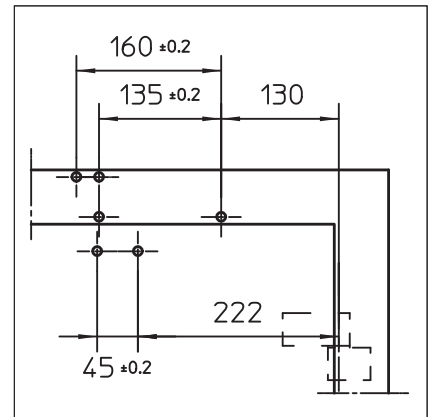
Direct mounting



Cross section = direct mounting

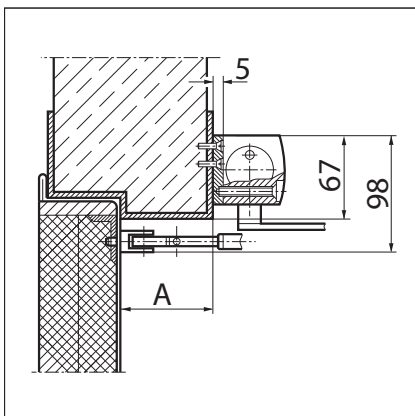


Fitting dimensions for right-hand door

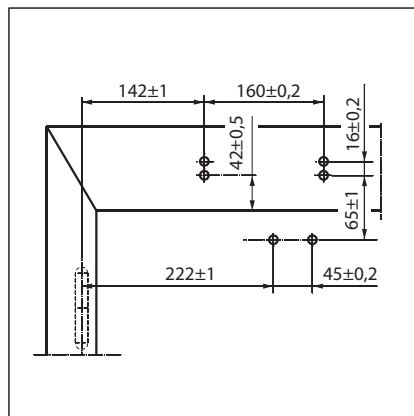


Fitting dimensions for left-hand door

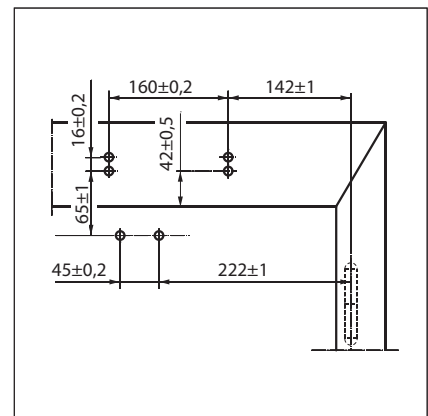
Mounting with mounting plate



Cross section = mounting with mounting plate  
A = max. 70 mm lintel depth with smoke and fire doors



Fitting dimensions for right-hand door



Fitting dimensions for left-hand door

## GEZE TS 4000 size 5-7 - Ordering information

Designation	Version	ID no.
GEZE TS 4000 closer Size EN 5-7 with back check (without link arm)	Silver-coloured	102837
	Acc. to RAL <sup>2)</sup>	102838
Link arm TS 4000/2000 <sup>3)</sup> With mechanical hold-open	Silver-coloured	102454
	Dark bronze	102455
	White RAL 9016	102456
	Acc. to RAL <sup>2)</sup>	102457
Link arm TS 4000/2000 With mechanical hold-open that can be switched on and off	Silver-coloured	102445
	Dark bronze	102446
	White RAL 9016	102447
	Acc. to RAL <sup>2)</sup>	102448
Link arm TS 4000/2000 Extended, for transom mounting with a soffit depth of 70-170 mm	Silver-coloured	102431
	Dark bronze	102432
	White RAL 9016	102433
	Acc. to RAL <sup>2)</sup>	102434
Link arm TS 4000/2000 Standard	Silver-coloured	102421
	Dark bronze	102422
	White RAL 9016	102423
	Stainless steel effect <sup>1)</sup>	102426
	Acc. to RAL <sup>2)</sup>	102425
<b>Installation material</b>		
Spindle extension for TS 4000/TS 2000 Crown type connection	10 mm Galvanised	103548
	10 mm Black	103677
	15 mm Galvanised	103549
	15 mm Black	103678
	20 mm Galvanised	103550
	20 mm Black	103679
Door closer drilling template For TS 5000/4000/3000/2000		053134
Glass clamping plate for door closer For TS 5000/TS 4000	Silver-coloured	057126
	Dark bronze	057127
	White RAL 9016	009491
	Acc. to RAL <sup>2)</sup>	009494
All-glass door mounting and counter plate For TS 5000/TS 4000	Silver-coloured	007923
	Dark bronze	007924
	Acc. to RAL <sup>2)</sup>	007926
Link arm mounting plate For TS 4000/2000, with narrow rebates	Silver-coloured	057109
	Acc. to RAL <sup>2)</sup>	082506
Link arm mounting plate For TS 4000/2000, with parallel arm mounting	Silver-coloured	053318
	Dark bronze	053319
	Acc. to RAL <sup>2)</sup>	027460
Mounting plate for segmental arch door For TS 4000, max. arch height 130 mm	Silver-coloured	058782
	Dark bronze	058783
	Acc. to RAL <sup>2)</sup>	119472
Door closer mounting plate For TS 5000/4000 with hole pattern acc. to DIN EN 1154 Supplement 1	Silver-coloured	049185
	Dark bronze	052351
	White RAL 9016	068627
	Galvanised	057956
Lintel casing bracket for transom mounting hinge-counterside For TS 5000/TS 4000	Acc. to RAL <sup>2)</sup>	029176
	Silver-coloured	049240
	Dark bronze	052352
	Acc. to RAL <sup>2)</sup>	104451

1) Only suitable for dry rooms

2) Surcharge for special RAL colours, see general information

3) Not approved for smoke and fire doors in Germany

**Accessories**

Door closer cover cap

For TS 5000/TS 4000, only suitable for door leaf installation

Silver-coloured	067724
Dark bronze	067725
White RAL 9016	067726
Brass	072698
Stainless steel	072696
Acc. to RAL <sup>2)</sup>	000756

1) Only suitable for dry rooms

2) Surcharge for special RAL colours, see general information

3) Not approved for smoke and fire doors in Germany

## GEZE TS 4000 E

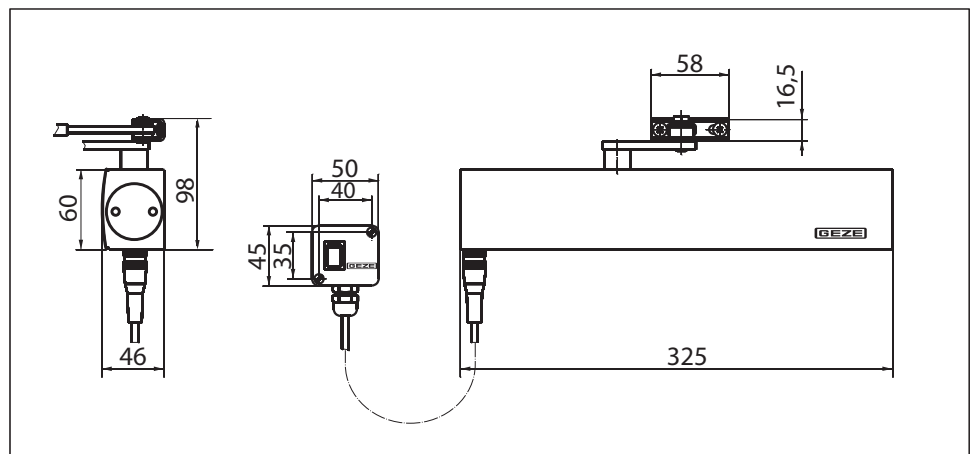
### Link arm door closer for single-leaf doors with a leaf width of up to 1400 mm featuring electric hold-open

TS 4000 E (24 V DC) overhead door closer, featuring an electro-hydraulic hold-open that is infinitely variable between 80° and 175° in accordance with EN 1155, is approved for use with left and right single-action doors with a door leaf width of up to 1400 mm and for mounting on smoke and fire doors. In the event of a fire or power failure, the hold-open mechanism is activated and the door closes securely. The size 1-6 closing force to EN 1154, with optical size indicator, and the thermo-constant closing speed can be conveniently adjusted from the front; the latching action is adjusted by means of the link arm.

#### Special version:

- GEZE TS 4000 E/transom mounting on opposite hinge side 24 V DC

## GEZE TS 4000 E



#### Application range

- For single-action doors, leaf width of up to 1400 mm
- Compatible with left-hand and right-hand doors without the need for conversion
- For fireproof doors (door closers with mounting plate)
- Standard mounting on door leaf, hinge side; transom mounting on opposite hinge side also possible
- Transom mounting on hinge side possible with guide rail, closing force EN3, not approved for fireproof doors

## Closer specifications

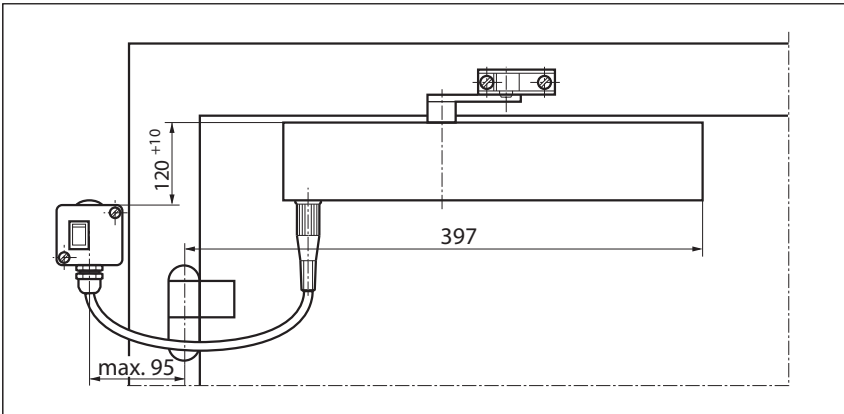
Product features	GEZE TS 4000 E closer
Closing force to EN1154	1 - 6
Leaf width recommended up to	1400 mm
Identical version DIN-L and DIN-R	●
Supply voltage	24 V DC
Enclosure rating IP	IP 43
Product tested in acc. with	Door closer tested in acc. with EN1154 Hold-open mechanism tested in acc. with EN1155
Suitable for fireproof doors	●
Mounting plate with hole pattern acc. to EN1154 Supplement	●
Length	325 mm
Installation depth	46 mm
Height	60 mm
<b>Functions</b>	
Adjustable closing force	● Infinitely variable
Adjustable closing speed	●
Adjustable latching action	● Via link arm
Integrated back check	○
Closing force adjustment position	Front
Optical closing force display	●
Safety valve featuring protection against vandalism	●
Thermo-constant valves	●
Integrated hold-open mechanism	Electric
Hold-open angle	80°-175°
Hold-open mechanism can be overridden	●

● = yes

○ = no

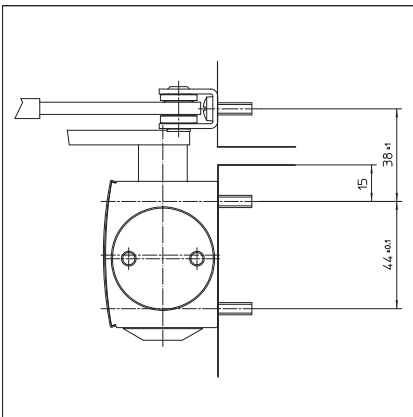
Door leaf mounting/hinge side TS 4000 E

View

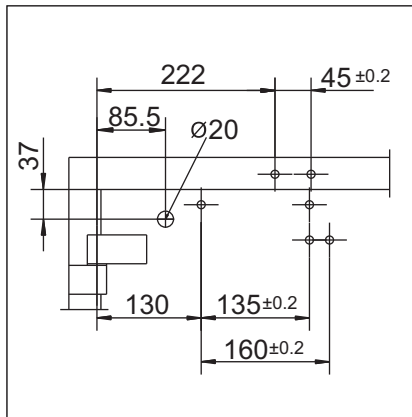


Mounting example for GEZE TS 4000 E

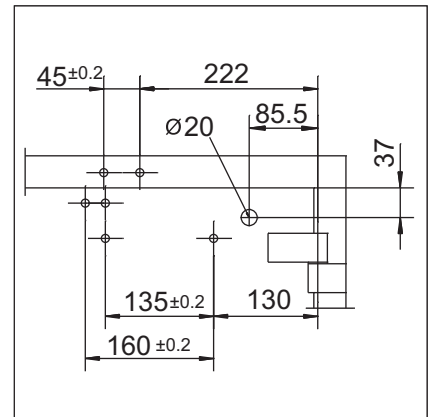
Direct mounting



Cross section = direct mounting

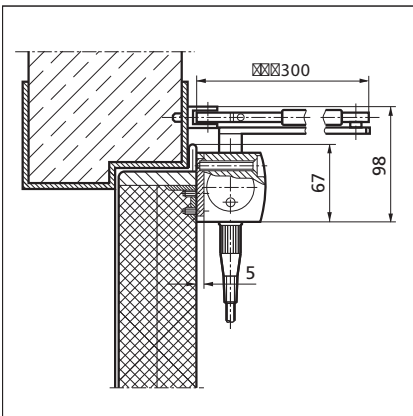


Fitting dimensions for left-hand door

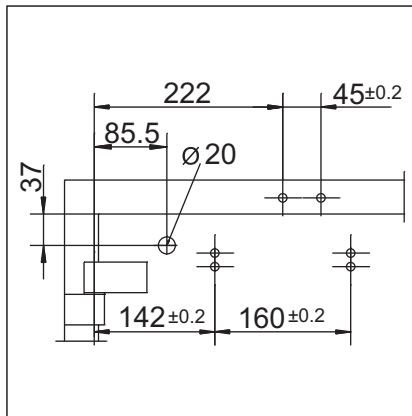


Fitting dimensions for right-hand door

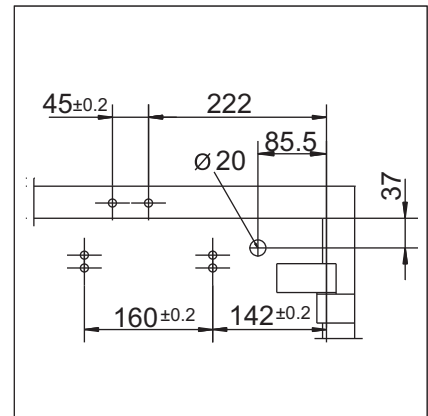
Mounting with mounting plate



Cross section = mounting with mounting plate



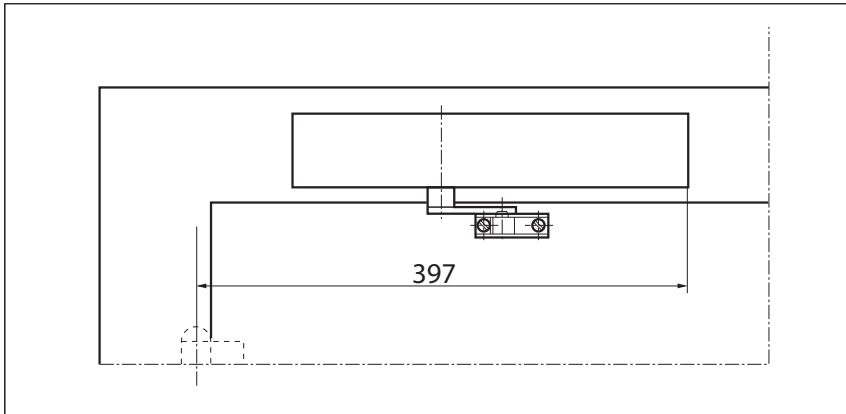
Fitting dimensions for left-hand door



Fitting dimensions for right-hand door

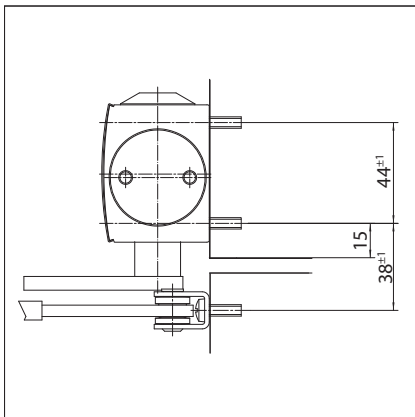
Transom mounting/opposite hinge side TS 4000 E

View

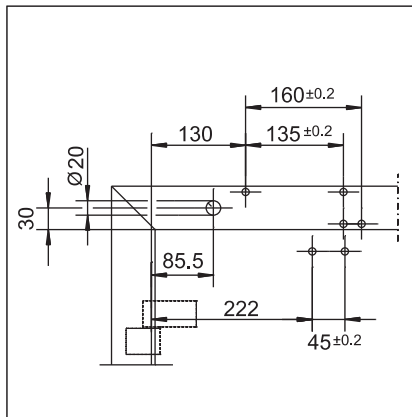


Mounting example for GEZE TS 4000 E

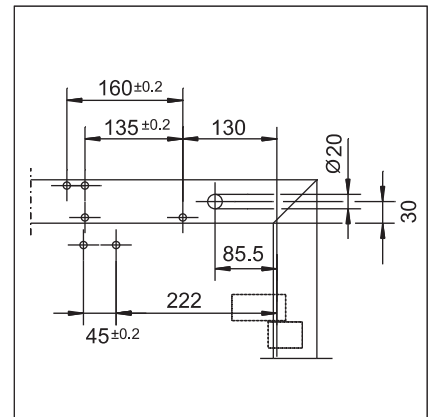
Direct mounting



Cross section = direct mounting

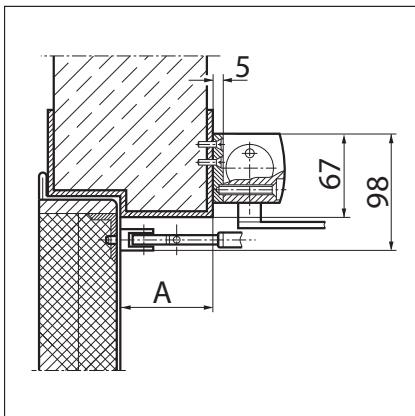


Fitting dimensions for right-hand door

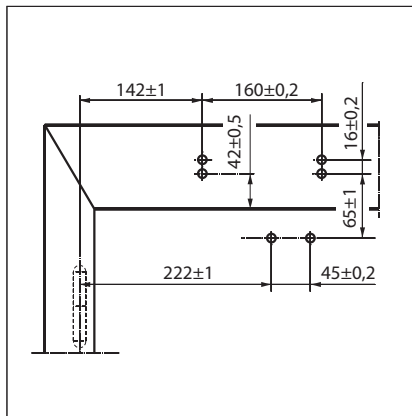


Fitting dimensions for left-hand door

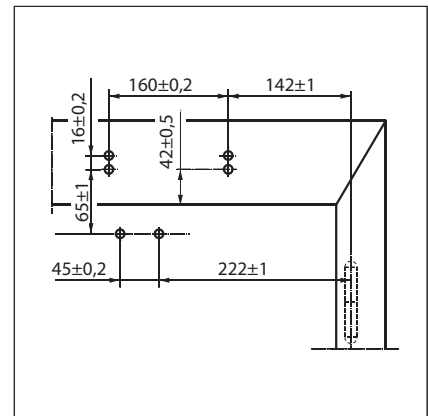
Mounting with mounting plate



Cross section = mounting with mounting plate  
A = max. 70 mm lintel depth with smoke and fire doors



Fitting dimensions for right-hand door



Fitting dimensions for left-hand door



## GEZE TS 4000 E - Ordering information

Designation	Version	ID no.
GEZE TS 4000 E closer	Silver-coloured	105211
Size EN 1-6, door leaf installation on hinge side, featuring electric hold-open and connector box (without link arm)	Acc. to RAL <sup>2)</sup>	105212
GEZE TS 4000 E KM BG closer	Silver-coloured	105213
Size EN 1-6, transom mounting on opposite hinge side, featuring electric hold-open (without link arm)	Acc. to RAL <sup>2)</sup>	105214
GEZE TS 4000 E KM BS closer <sup>3)</sup>	Silver-coloured	105235
Size EN 1-3, transom mounting on hinge side, featuring electric hold-open (without guide rail)	Acc. to RAL <sup>2)</sup>	105236
Guide rail TS 4000 E/R	Silver-coloured	102527
With lever, designed for transom mounting on hinge side	Acc. to RAL <sup>2)</sup>	102530
Link arm TS 4000/2000 Extended, for transom mounting with a soffit depth of 70-170 mm	Silver-coloured	102431
	Dark bronze	102432
	White RAL 9016	102433
	Acc. to RAL <sup>2)</sup>	102434
Link arm TS 4000/2000 Standard	Silver-coloured	102421
	Dark bronze	102422
	White RAL 9016	102423
	Stainless steel effect <sup>1)</sup>	102426
Acc. to RAL <sup>2)</sup>	102425	
<b>Installation material</b>		
Spindle extension for TS 4000/TS 2000 Crown type connection	10 mm Galvanised	103548
	10 mm Black	103677
	15 mm Galvanised	103549
	15 mm Black	103678
	20 mm Galvanised	103550
	20 mm Black	103679
Door closer drilling template For TS 5000/4000/3000/2000		053134
Link arm mounting plate For TS 4000/2000, with narrow rebates	Silver-coloured	057109
	Acc. to RAL <sup>2)</sup>	082506
Link arm mounting plate For TS 4000/2000, with parallel arm mounting	Silver-coloured	053318
	Dark bronze	053319
	Acc. to RAL <sup>2)</sup>	027460
Door closer mounting plate For TS 5000 EFS/RFS/EHY / 4000 E with hole pattern acc. to DIN EN 1154 Supplement 1	Silver-coloured	059107
	Acc. to RAL <sup>2)</sup>	100044
<b>Accessories</b>		
GEZE smoke switch control unit RSZ 6 Approved for all GEZE hold-open mechanisms	Silver-coloured	099851
	Dark bronze	099857
	White RAL 9016	099858
	Stainless steel effect <sup>1)</sup>	099856
	Acc. to RAL <sup>2)</sup>	099859
GEZE smoke switch RS 5 For ceiling and lintel mounting	Silver-coloured	027052
	Dark bronze	028939
	White RAL 9016	028940
	Stainless steel effect <sup>1)</sup>	028942
	Acc. to RAL <sup>2)</sup>	028941
GEZE circuit breaker Concealed version, for manual release of electrically controlled door closers and retention magnets	Alpine white	116266
Surface-mounted socket Packaged		120503

1) Only suitable for dry rooms

2) Surcharge for special RAL colours, see general information

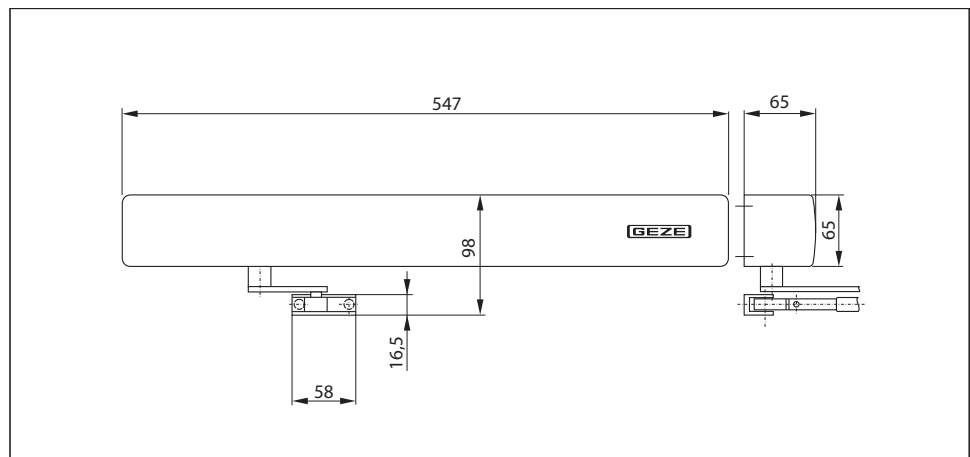
3) Not currently approved for smoke and fire doors, EN size 3, leaf width up to 950 mm

## GEZE TS 4000 R

**Link arm door closer for single-leaf doors with a leaf width of up to 1400 mm featuring electric hold-open and smoke switch control unit**

TS 4000 R overhead door closer, featuring an electro-hydraulic hold-open that is infinitely variable between 80° and 175° in accordance with EN 1155 and a smoke switch control unit built into the closer cover, is approved for use with left and right single-action doors with a door leaf width of up to 1400 mm and for mounting on smoke and fire doors. In the event of a fire, the smoke detector is activated and the door closes automatically. The size 1-6 closing force to EN 1154, with optical size indicator, and the thermo-constant closing speed can be conveniently adjusted from the front; the latching action is adjusted by means of the link arm. Official building approval of a general nature from the DIBt (German Institute for Building Technology) (not applicable to transom mounting on the hinge side).

### GEZE TS 4000 R



### Application range

- For single-action doors, leaf width of up to 1400 mm
- Compatible with left-hand and right-hand doors without the need for conversion
- For fireproof doors (door closers with mounting plate)
- Standard mounting involving transom mounting on opposite hinge side
- Transom mounting on hinge side possible with guide rail, closing force EN3, not approved for fireproof doors

**Closer specifications**

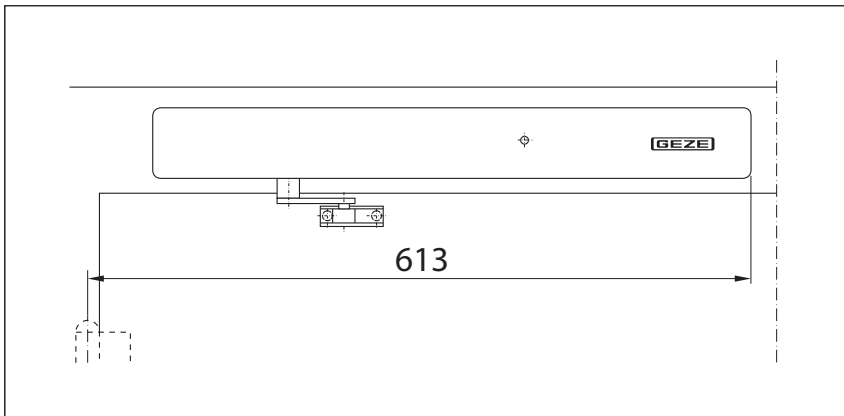
<b>Product features</b>	<b>GEZE TS 4000 R KM BG closer</b>
Closing force to EN1154	1 - 6
Leaf width recommended up to	1400 mm
Identical version DIN-L and DIN-R	●
Supply voltage	230 V 50 Hz
Enclosure rating IP	IP 20
Product tested in acc. with	Door closer tested in acc. with EN1154 Hold-open mechanism tested in acc. with EN1155 Official building approval of a general nature from the DIBt (German Institute for Building Technology) for use as a hold-open system
Suitable for fireproof doors	●
Mounting plate with hole pattern acc. to EN1154 Supplement	●
Length	547 mm
Installation depth	65 mm
Height	65 mm
<b>Functions</b>	
Adjustable closing force	● Infinitely variable
Adjustable closing speed	●
Adjustable latching action	● Via link arm
Integrated back check	○
Closing force adjustment position	Front
Optical closing force display	●
Safety valve featuring protection against vandalism	●
Thermo-constant valves	●
Integrated hold-open mechanism	Electric
Hold-open mechanism can be overridden	●
Integrated smoke switch	●
With visual status display	●
With soiling indicator	●
With adaption of the alarm threshold	●
Integrated power supply unit	●

● = yes

○ = no

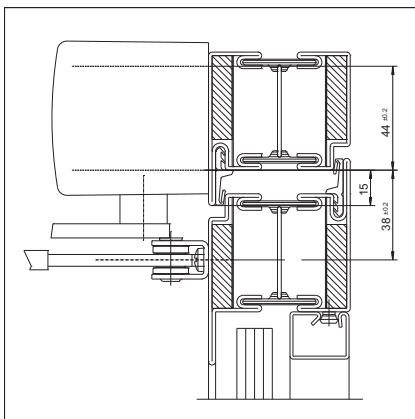
Transom mounting/opposite hinge side TS 4000 R

View

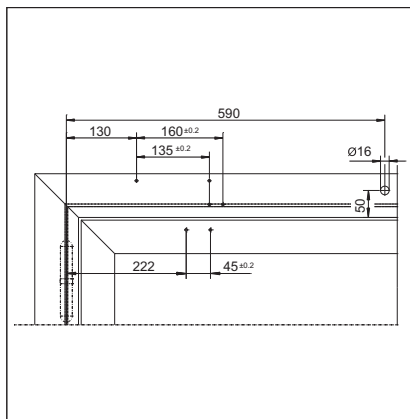


Mounting example for GEZE TS 4000 R

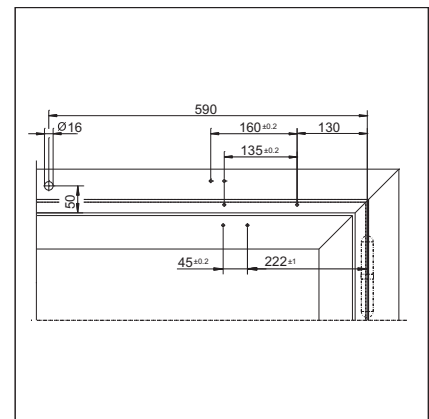
Direct mounting



Cross section = direct mounting

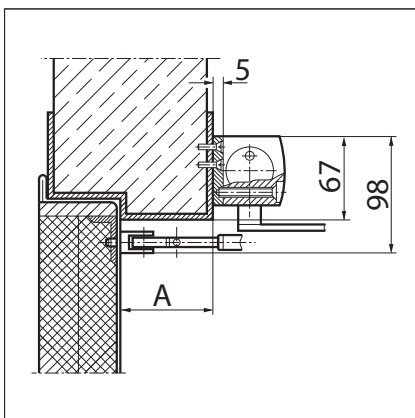


Fitting dimensions for right-hand door

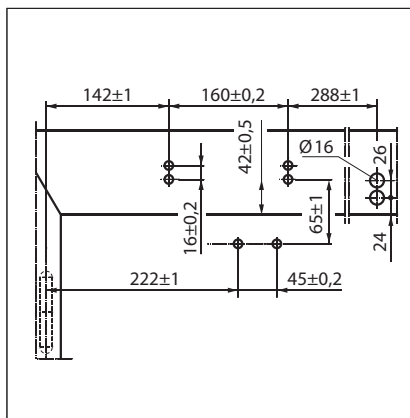


Fitting dimensions for left-hand door

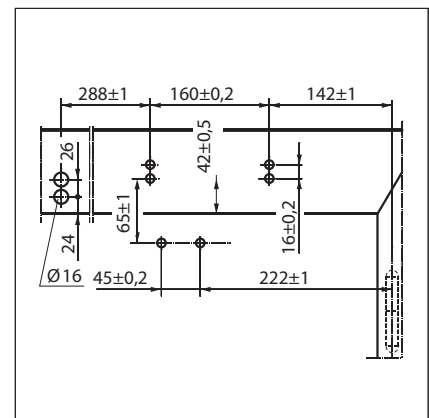
Mounting with mounting plate



Cross section = mounting with mounting plate  
A = max. 70 mm lintel depth with smoke and fire doors



Fitting dimensions for right-hand door



Fitting dimensions for left-hand door

**GEZE TS 4000 R - Ordering information**

Designation	Version	ID no.
GEZE TS 4000 R KM BG closer Size EN 1-6, transom mounting on opposite hinge side, featuring electric hold-open and integrated smoke switch control unit (without link arm)	Silver-coloured Acc. to RAL <sup>2)</sup>	105241 105242
GEZE TS 4000 R KM BS closer <sup>3)</sup> Size EN 1-3, transom mounting on hinge side, featuring electric hold-open and integrated smoke switch control unit (without guide rail)	Silver-coloured Acc. to RAL <sup>2)</sup>	105243 105267
Guide rail TS 4000 E/R With lever, designed for transom mounting on hinge side	Silver-coloured Acc. to RAL <sup>2)</sup>	102527 102530
Link arm TS 4000/2000 Extended, for transom mounting with a soffit depth of 70-170 mm	Silver-coloured	102431
	Dark bronze	102432
	White RAL 9016	102433
	Acc. to RAL <sup>2)</sup>	102434
Link arm TS 4000/2000 Standard	Silver-coloured	102421
	Dark bronze	102422
	White RAL 9016	102423
	Stainless steel effect <sup>1)</sup>	102426
Acc. to RAL <sup>2)</sup>	102425	
<b>Installation material</b>		
Spindle extension for TS 4000/TS 2000 Crown type connection	10 mm Galvanised	103548
	10 mm Black	103677
	15 mm Galvanised	103549
	15 mm Black	103678
	20 mm Galvanised	103550
	20 mm Black	103679
Door closer mounting plate For TS 5000 RFS KM/4000 R & R-IS with hole pattern acc. to DIN EN 1154 Supplement 1	Black	058808
<b>Accessories</b>		
GEZE smoke switch RS 5 For ceiling and lintel mounting	Silver-coloured	027052
	Dark bronze	028939
	White RAL 9016	028940
	Stainless steel effect <sup>1)</sup>	028942
	Acc. to RAL <sup>2)</sup>	028941
GEZE circuit breaker Concealed version, for manual release of electrically controlled door closers and retention magnets	Alpine white	116266
Surface-mounted socket Packaged		120503

1) Only suitable for dry rooms

2) Surcharge for special RAL colours, see general information

3) Not currently approved for smoke and fire doors, EN size 3, leaf width up to 950 mm

## GEZE TS 4000 EFS

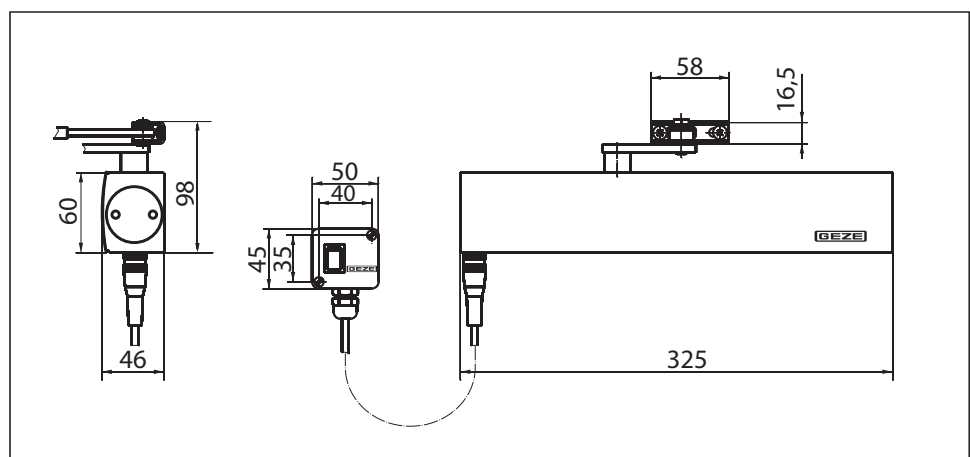
### Link arm door closer for single-leaf doors with a leaf width of up to 1400 mm featuring electric free-swing-function

TS 4000 EFS (24 V DC) overhead door closer for single-leaf doors features what is known as a “free-swing” function. After the free-swing function has been activated by opening the door once by an angle of approximately 90° (e.g. in the morning), users can pass through the door in either direction without having to press very hard on the door at all. This function is particularly useful in retirement homes or hospitals, for example. TS 4000 EFS features an electro-hydraulic hold-open that is infinitely variable between 80° and 180° in accordance with EN 1155 to support the free-swing function. It is approved for use with left and right single-action doors with a door leaf width of up to 1400 mm and for mounting on smoke and fire doors. The size 1-6 closing force to EN 1154, with optical size indicator, and the thermo-constant closing speed can be conveniently adjusted from the front; the latching action is adjusted by means of the link arm.

#### Special version:

- GEZE TS 4000 EFS/transom mounting on opposite hinge side 24 V DC

## GEZE TS 4000 EFS



#### Application range

- For single-action doors, leaf width of up to 1400 mm
- Compatible with left-hand and right-hand doors without the need for conversion
- For fireproof doors (door closers with mounting plate)
- Standard mounting on door leaf, hinge side; transom mounting on opposite hinge side also possible
- Transom mounting on hinge side possible with free-swing guide rail, closing force EN3, not approved for fireproof doors

**Closer specifications**

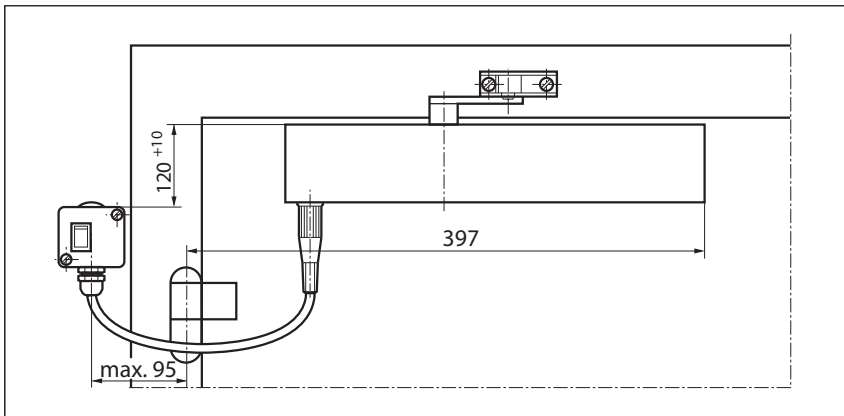
<b>Product features</b>	<b>GEZE TS 4000 EFS closer</b>
Closing force to EN1154	1 - 6
Leaf width recommended up to	1400 mm
Identical version DIN-L and DIN-R	●
Supply voltage	24 V DC
Enclosure rating IP	IP 43
Product tested in acc. with	Door closer tested in acc. with EN1154 Hold-open mechanism tested in acc. with EN1155
Suitable for fireproof doors	●
Mounting plate with hole pattern acc. to EN1154 Supplement	●
Length	325 mm
Installation depth	46 mm
Height	60 mm
<b>Functions</b>	
Adjustable closing force	● Infinitely variable
Adjustable closing speed	●
Adjustable latching action	● Via link arm
Integrated back check	○
Closing force adjustment position	Front
Optical closing force display	●
Safety valve featuring protection against vandalism	●
Thermo-constant valves	●
Integrated hold-open mechanism	Electric
Free-swing range	80°-175°

● = yes

○ = no

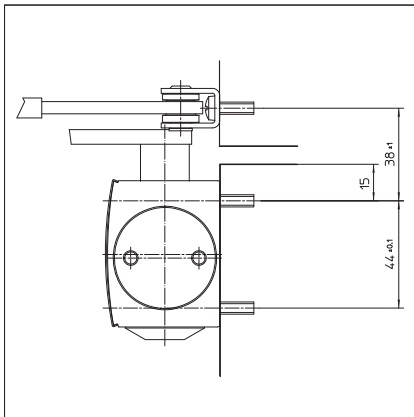
Door leaf mounting/hinge side TS 4000 EFS

View

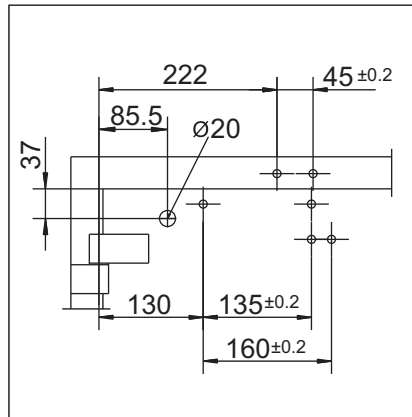


Mounting example for GEZE TS 4000 EFS

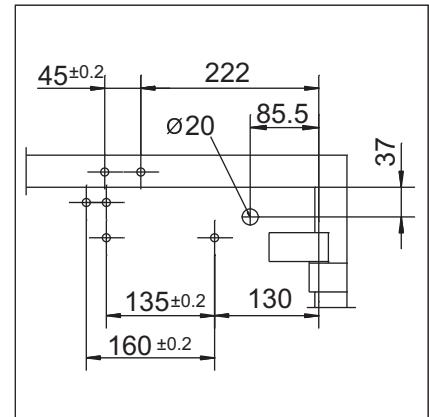
Direct mounting



Cross section = direct mounting

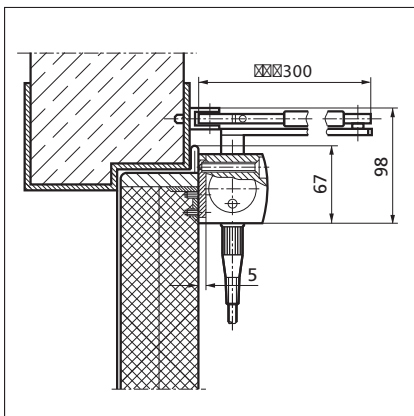


Fitting dimensions for left-hand door

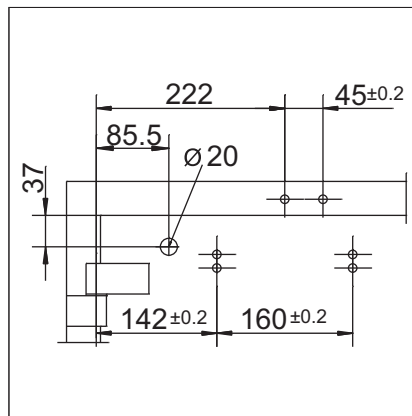


Fitting dimensions for right-hand door

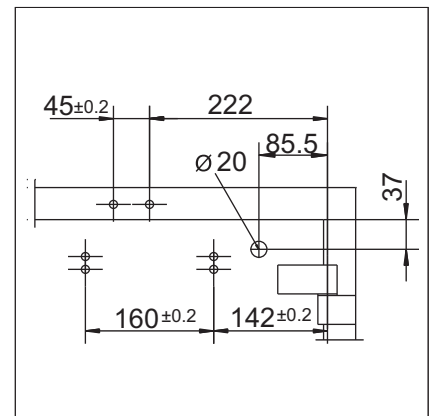
Mounting with mounting plate



Cross section = mounting with mounting plate



Fitting dimensions for left-hand door

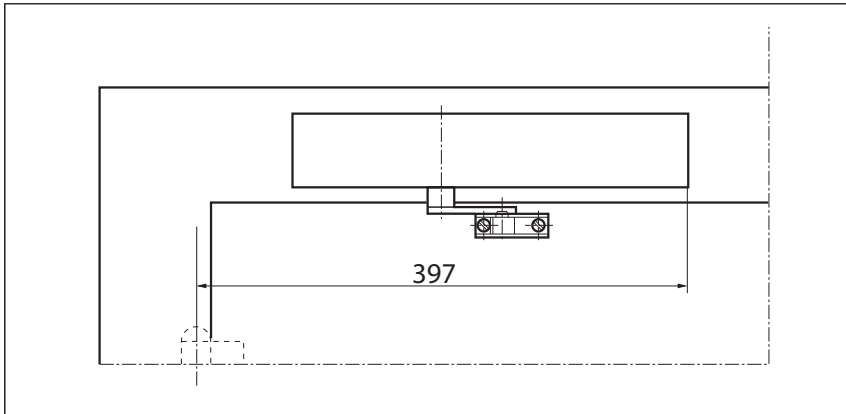


Fitting dimensions for right-hand door



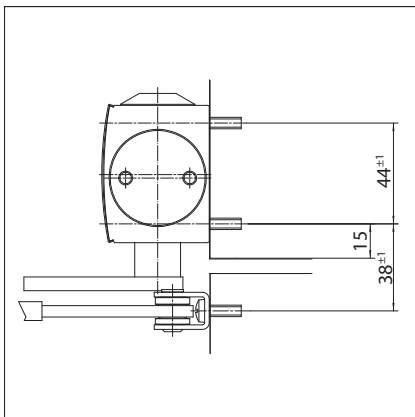
Transom mounting/opposite hinge side TS 4000 EFS

View

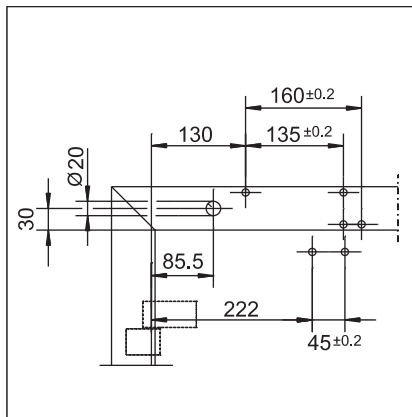


Mounting example for GEZE TS 4000 EFS

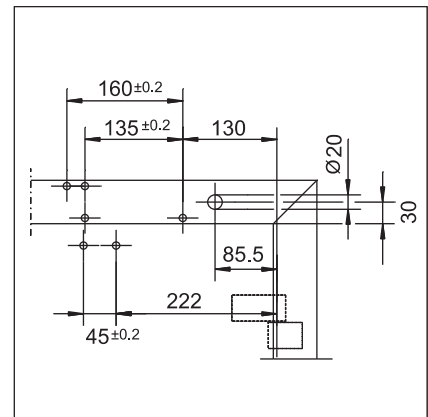
Direct mounting



Cross section = direct mounting

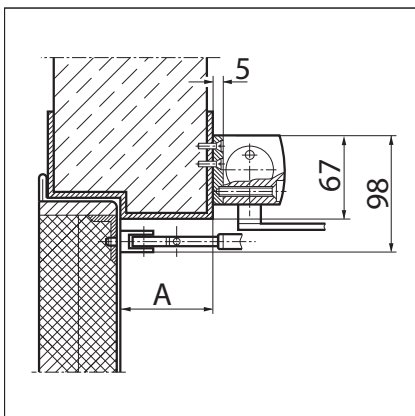


Fitting dimensions for right-hand door

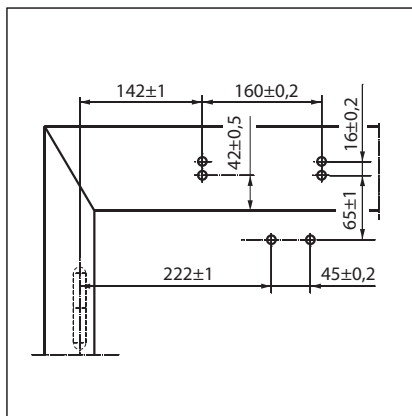


Fitting dimensions for left-hand door

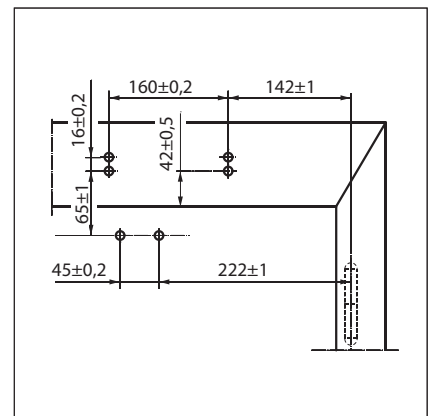
Mounting with mounting plate



Cross section = mounting with mounting plate  
A = max. 70 mm lintel depth with smoke and fire doors



Fitting dimensions for right-hand door



Fitting dimensions for left-hand door

## GEZE TS 4000 EFS - Ordering information

Designation	Version	ID no.
GEZE TS 4000 EFS closer	Silver-coloured	105211
Size EN 1-6, door leaf installation on hinge side, featuring electric hold-open for free-swing function and connector box (without free-swing arm)	Acc. to RAL	105212
GEZE TS 4000 EFS KM BG closer	Silver-coloured	105213
Size EN 1-6, transom mounting on opposite hinge side, featuring electric hold-open for free-swing function (without free-swing arm)	Acc. to RAL	105214
GEZE TS 4000 EFS KM BS closer <sup>3)</sup>	Silver-coloured	105235
Size EN 1-3, transom mounting on hinge side, featuring electric hold-open for free-swing function (without free-swing guide rail)	Acc. to RAL	105236
Guide rail TS 4000 EFS/RFS <sup>3)</sup>	Silver-coloured	106844
With free-swing function and lever, designed for transom mounting on hinge side	Acc. to RAL	106466
Link arm TS 4000 EFS/RFS	Silver-coloured	106460
With free-swing function	Acc. to RAL <sup>2)</sup>	106462
<b>Installation material</b>		
Spindle extension for TS 4000/TS 2000 Crown type connection	10 mm Galvanised	103548
	10 mm Black	103677
	15 mm Galvanised	103549
	15 mm Black	103678
	20 mm Galvanised	103550
	20 mm Black	103679
Door closer drilling template For TS 5000/4000/3000/2000		053134
Link arm mounting plate For TS 4000/2000, with narrow rebates	Silver-coloured	057109
	Acc. to RAL <sup>2)</sup>	082506
Link arm mounting plate For TS 4000/2000, with parallel arm mounting	Silver-coloured	053318
	Dark bronze	053319
	Acc. to RAL <sup>2)</sup>	027460
Door closer mounting plate For TS 5000 EFS/RFS/EHY / 4000 E with hole pattern acc. to DIN EN 1154 Supplement 1	Silver-coloured	059107
	Acc. to RAL <sup>2)</sup>	100044
<b>Accessories</b>		
GEZE smoke switch control unit RSZ 6 Approved for all GEZE hold-open mechanisms	Silver-coloured	099851
	Dark bronze	099857
	White RAL 9016	099858
	Stainless steel effect <sup>1)</sup>	099856
	Acc. to RAL <sup>2)</sup>	099859
GEZE smoke switch RS 5 For ceiling and lintel mounting	Silver-coloured	027052
	Dark bronze	028939
	White RAL 9016	028940
	Stainless steel effect <sup>1)</sup>	028942
	Acc. to RAL <sup>2)</sup>	028941
GEZE circuit breaker Concealed version, for manual release of electrically controlled door closers and retention magnets	Alpine white	116266
Surface-mounted socket Packaged		120503

1) Only suitable for dry rooms

2) Surcharge for special RAL colours, see general information

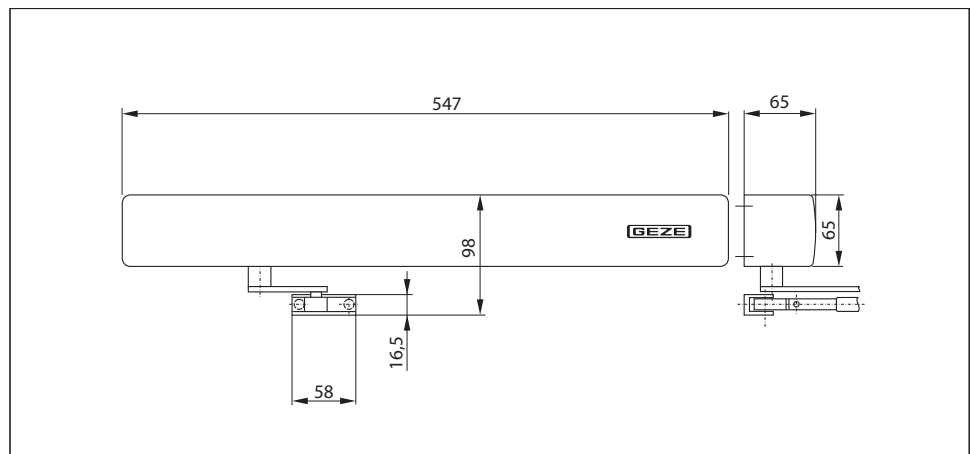
3) Not approved for smoke and fire doors in Germany

## GEZE TS 4000 RFS

### Link arm door closer for single-leaf doors with a leaf width of up to 1400 mm featuring electric free-swing function and smoke switch control unit

TS 4000 RFS overhead door closer for single-leaf doors features what is known as a “free-swing” function. After the free-swing function has been activated by opening the door once by an angle of approximately 90° (e.g. in the morning), users can pass through the door in either direction without having to press very hard on the door at all. This function is particularly useful in retirement homes or hospitals, for example. TS 4000 RFS features an infinitely variable electro-hydraulic hold-open in accordance with EN 1155 and a smoke switch control unit built into the closer cover. It is approved for use with left and right single-action doors with a door leaf width of up to 1400 mm and for mounting on smoke and fire doors. The size 1-6 closing force to EN 1154, with optical size indicator, and the thermo-constant closing speed can be conveniently adjusted from the front; the latching action is adjusted by means of the link arm. The product has been granted official building approval of a general nature by the DIBt (German Institute for Building Technology) (EN 1155 and DIBt approval not applicable to transom mounting on the hinge side).

## GEZE TS 4000 RFS



## Application range

- For single-action doors, leaf width of up to 1400 mm
- Compatible with left-hand and right-hand doors without the need for conversion
- For fireproof doors (door closers with mounting plate)
- Standard mounting involving transom mounting on opposite hinge side
- Transom mounting on hinge side possible with free-swing guide rail, closing force EN3, not approved for fireproof doors

## Closer specifications

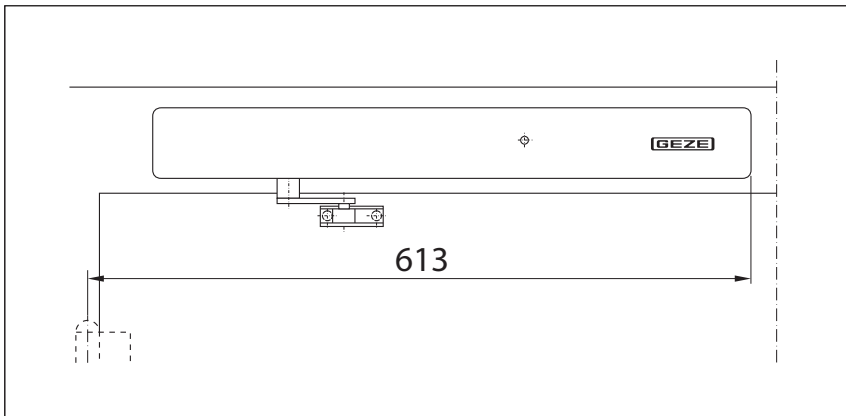
Product features	GEZE TS 4000 RFS KM BG closer
Closing force to EN1154	1 - 6
Leaf width recommended up to	1400 mm
Identical version DIN-L and DIN-R	●
Supply voltage	230 V 50 Hz
Enclosure rating IP	IP 20
Product tested in acc. with	Door closer tested in acc. with EN1154 Hold-open mechanism tested in acc. with EN1155 Official building approval of a general nature from the DIBt (German Institute for Building Technology) for use as a hold-open system
Suitable for fireproof doors	●
Mounting plate with hole pattern acc. to EN1154 Supplement	●
Length	547 mm
Installation depth	65 mm
Height	65 mm
<b>Functions</b>	
Adjustable closing force	● Infinitely variable
Adjustable closing speed	●
Adjustable latching action	● Via link arm
Integrated back check	○
Closing force adjustment position	Front
Optical closing force display	●
Safety valve featuring protection against vandalism	●
Thermo-constant valves	●
Integrated hold-open mechanism	Electric
Integrated smoke switch	●
With visual status display	●
With soiling indicator	●
With adaption of the alarm threshold	●
Integrated power supply unit	●
Free-freeswing range	80°-175°

● = yes

○ = no

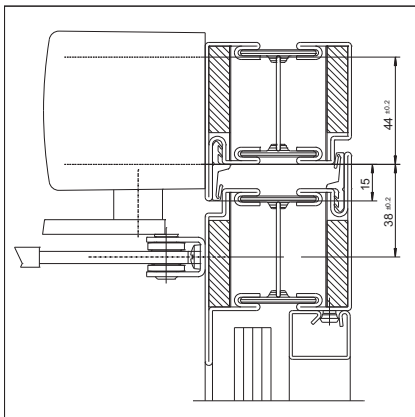
Transom mounting/opposite hinge side TS 4000 RFS

View

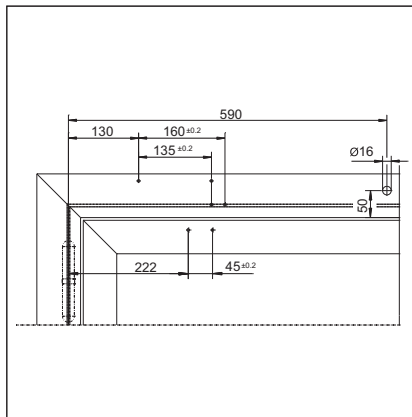


Mounting example for GEZE TS 4000 RFS

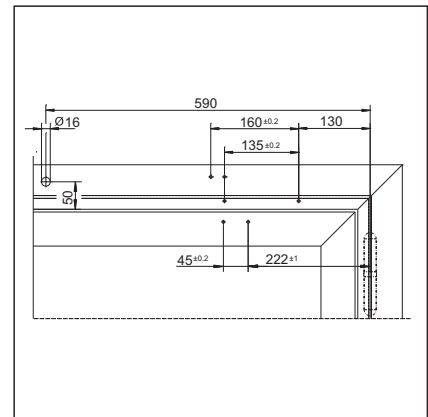
Direct mounting



Cross section = direct mounting

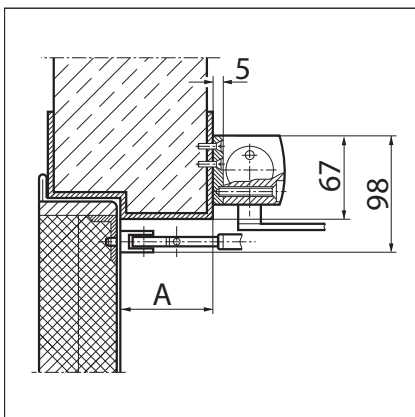


Fitting dimensions for right-hand door

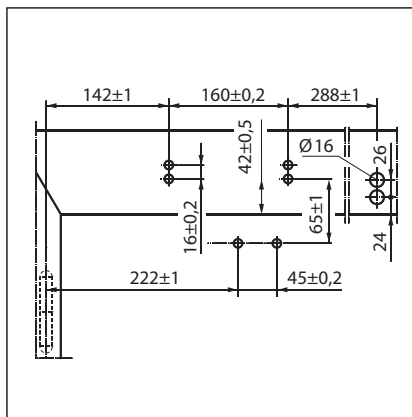


Fitting dimensions for left-hand door

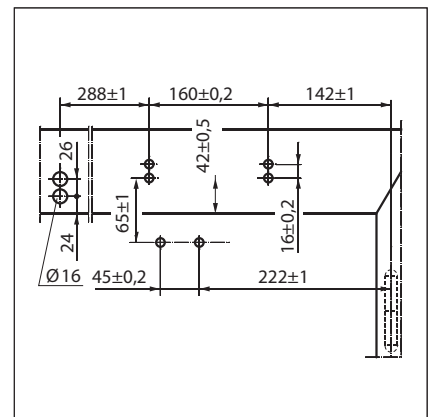
Mounting with mounting plate



Cross section = mounting with mounting plate,  
A = max. 70 mm lintel depth with smoke and fire doors



Fitting dimensions for right-hand door



Fitting dimensions for left-hand door

## GEZE TS 4000 RFS - Ordering information

Designation	Version	ID no.
GEZE TS 4000 RFS KM BG closer Size EN 1-6, transom mounting on opposite hinge side, featuring electric hold-open for free-swing function and integrated smoke switch control unit (without free-swing arm)	Silver-coloured Acc. to RAL	105241 105242
GEZE TS 4000 RFS KM BS closer <sup>3)</sup> Size EN 1-3, transom mounting on hinge side, featuring electric hold-open for free-swing function and integrated smoke switch control unit (without free-swing guide rail)	Silver-coloured Acc. to RAL	105243 105267
Guide rail TS 4000 EFS/RFS With free-swing function and lever, designed for transom mounting on hinge side	Silver-coloured Acc. to RAL	106844 106466
Link arm TS 4000 EFS/RFS With free-swing function	Silver-coloured Acc. to RAL <sup>2)</sup>	106460 106462
<b>Installation material</b>		
Spindle extension for TS 4000/TS 2000 Crown type connection	10 mm Galvanised	103548
	10 mm Black	103677
	15 mm Galvanised	103549
	15 mm Black	103678
	20 mm Galvanised	103550
	20 mm Black	103679
Door closer mounting plate For TS 5000 RFS KM/4000 R & R-IS with hole pattern acc. to DIN EN 1154 Supplement 1	Black	058808
<b>Accessories</b>		
GEZE smoke switch RS 5 For ceiling and lintel mounting	Silver-coloured	027052
	Dark bronze	028939
	White RAL 9016	028940
	Stainless steel effect <sup>1)</sup>	028942
	Acc. to RAL <sup>2)</sup>	028941
GEZE circuit breaker Concealed version, for manual release of electrically controlled door closers and retention magnets	Alpine white	116266
Surface-mounted socket Packaged		120503

1) Only suitable for dry rooms

2) Surcharge for special RAL colours, see general information

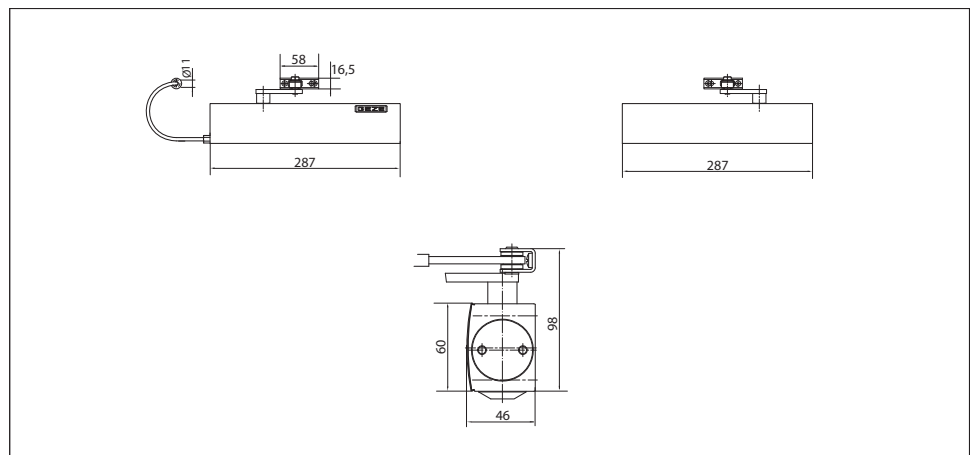
3) Not approved for smoke and fire doors, EN size 3, leaf width up to 950 mm

## GEZE TS 4000 IS

**Link arm door closer system for double-leaf doors with a hinge clearance of up to 2800 mm featuring integrated closing sequence control**

TS 4000 IS overhead door closer system, featuring integrated hydraulic closing sequence control, is approved for mounting on smoke and fire doors. The integrated closing sequence control, featuring protection against vandalism, ensures that both door leaves close in the correct order when used with double-leaf doors. When the door closes, the moving leaf remains in the waiting position until the fixed leaf is closed and until the moving leaf is released by the closing sequence control. The size 1-6 closing force to EN 1154, with optical size indicator, and the closing speed can be adjusted from the front. The latching action is adjusted by means of the link arm.

### GEZE TS 4000 IS



### Application range

- For double-leaf doors, leaf width of up to 1400 mm
- Compatible with left-hand and right-hand doors without the need for conversion
- For fireproof doors (door closers with mounting plate)
- Standard mounting on door leaf, hinge side; transom mounting on opposite hinge side also possible

## Closer specifications

Product features	GEZE TS 4000 IS closer	GEZE TS 4000 closer
Closing force to EN1154		1 - 6
Leaf width recommended up to		1400 mm
Identical version DIN-L and DIN-R	●	●
Product tested in acc. with	Door closer tested in acc. with EN1154 Door closing sequence selector tested in acc. with EN1158	Door closer tested in acc. with EN1154
Suitable for fireproof doors	●	●
Mounting plate with hole pattern acc. to EN1154 Supplement	●	●
Length		287 mm
Installation depth		46 mm
Height		60 mm
<b>Functions</b>		
Adjustable closing force		d Infinitely variable
Adjustable closing speed	●	●
Adjustable latching action		d Via link arm
Integrated back check	○	d Hydraulically adjustable
Closing force adjustment position		Front
Optical closing force display	●	●
Safety valve featuring protection against vandalism	●	●
Thermo-constant valve	●	●
Integrated closing sequence control	●	

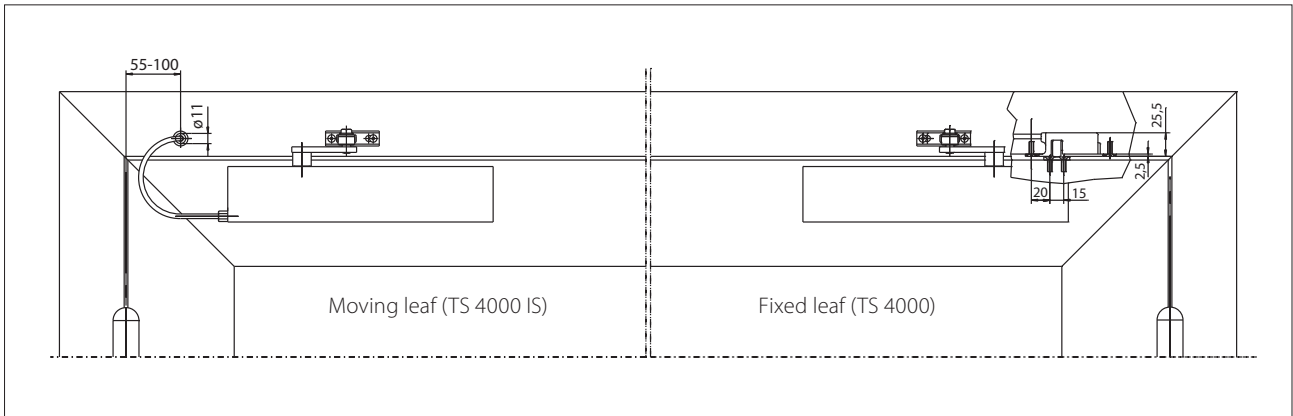
● = yes

○ = no



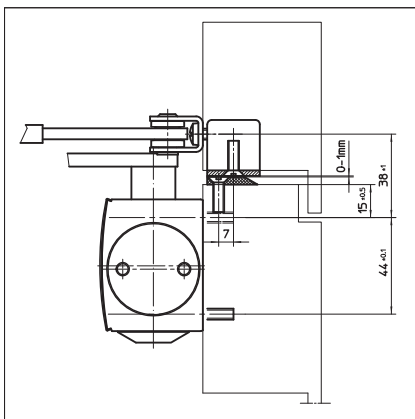
Door leaf mounting/hinge side TS 4000 IS

View

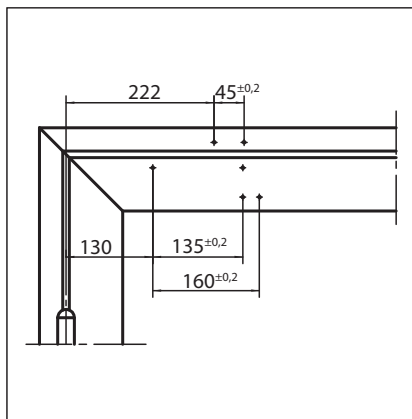


Mounting example for GEZE TS 4000 IS

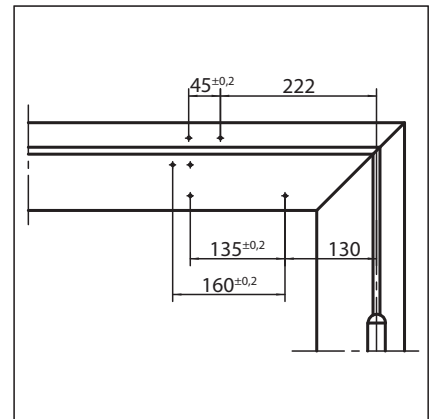
Direct mounting



Cross section = direct mounting

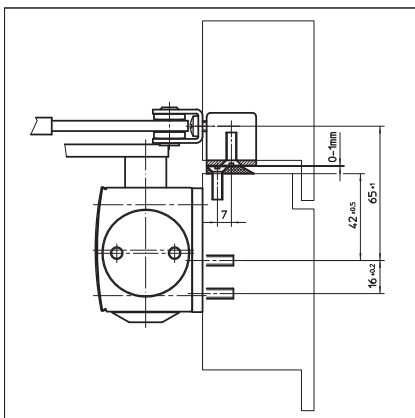


Fitting dimensions for left-hand door

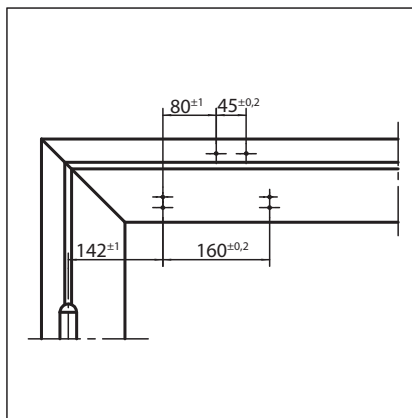


Fitting dimensions for right-hand door

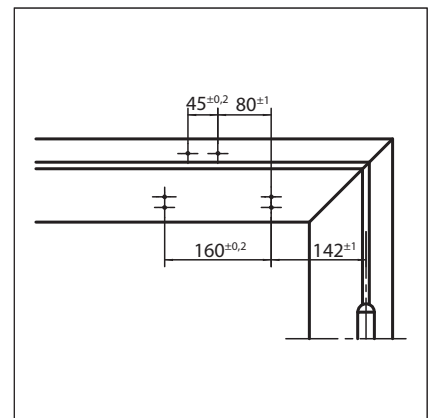
Mounting with mounting plate



Cross section = mounting with mounting plate



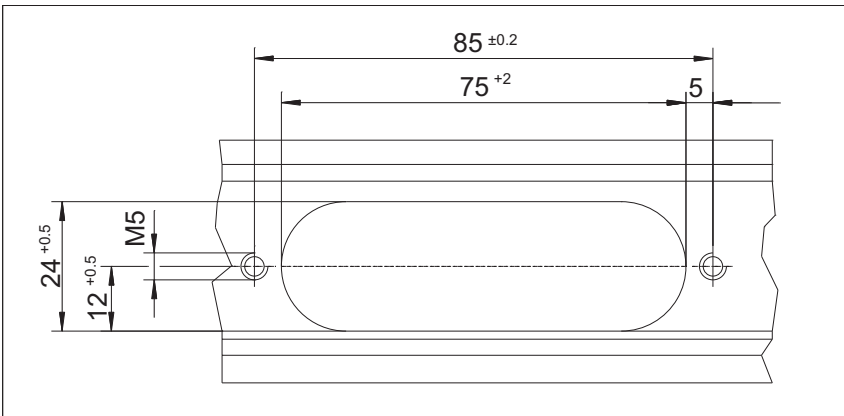
Fitting dimensions for left-hand door



Fitting dimensions for right-hand door



Recess for release mechanism



## GEZE TS 4000 IS - Ordering information

Designation	Version	ID no.
GEZE TS 4000 IS closer Size EN 1-6 with integrated closing sequence control (without release mechanism and link arm)	Silver-coloured	102798
	Dark bronze	102799
	White RAL 9016	102801
	Acc. to RAL <sup>2)</sup>	102802
GEZE TS 4000 closer Size EN 1-6 with back check (without link arm)	Silver-coloured	102789
	Dark bronze	102790
	White RAL 9016	102791
	Acc. to RAL <sup>2)</sup>	102792
Link arm TS 4000/2000 Extended, for transom mounting with a soffit depth of 70-170 mm	Silver-coloured	102431
	Dark bronze	102432
	White RAL 9016	102433
	Acc. to RAL <sup>2)</sup>	102434
Link arm TS 4000/2000 Standard	Silver-coloured	102421
	Dark bronze	102422
	White RAL 9016	102423
	Stainless steel effect <sup>1)</sup>	102426
Acc. to RAL <sup>2)</sup>	102425	
<b>Installation material</b>		
Spindle extension for TS 4000/TS 2000 Crown type connection	10 mm Galvanised	103548
	10 mm Black	103677
	15 mm Galvanised	103549
	15 mm Black	103678
	20 mm Galvanised	103550
	20 mm Black	103679
Door closer drilling template For TS 5000/4000/3000/2000		053134
Glass clamping plate for door closer For TS 5000/TS 4000	Silver-coloured	057126
	Dark bronze	057127
	White RAL 9016	009491
	Acc. to RAL <sup>2)</sup>	009494
All-glass door mounting and counter plate For TS 5000/TS 4000	Silver-coloured	007923
	Dark bronze	007924
	Acc. to RAL <sup>2)</sup>	007926
Link arm mounting plate For TS 4000/2000, with narrow rebates	Silver-coloured	057109
	Acc. to RAL <sup>2)</sup>	082506
Link arm mounting plate For TS 4000/2000, with parallel arm mounting	Silver-coloured	053318
	Dark bronze	053319
	Acc. to RAL <sup>2)</sup>	027460
Door closer mounting plate For TS 5000/4000 with hole pattern acc. to DIN EN 1154 Supplement 1	Silver-coloured	049185
	Dark bronze	052351
	White RAL 9016	068627
	Galvanised	057956
Acc. to RAL <sup>2)</sup>	029176	
Lintel casing bracket for transom mounting hinge-counterside For TS 5000/TS 4000	Silver-coloured	049240
	Dark bronze	052352
	Acc. to RAL <sup>2)</sup>	104451

**Accessories**

Closing sequence control release mechanism For TS 4000 IS / E-IS	No.1 hinge clearance 1200-1500 mm	058306
	No.2 hinge clearance 1500-1800 mm	058307
	No.3 hinge clearance 1800-2100 mm	058308
	No.4 hinge clearance 2100-2400 mm	058309
	No.5 hinge clearance 2400-2700 mm	058310
	No.6 hinge clearance in excess of 2700 mm	058311

1) Only suitable for dry rooms

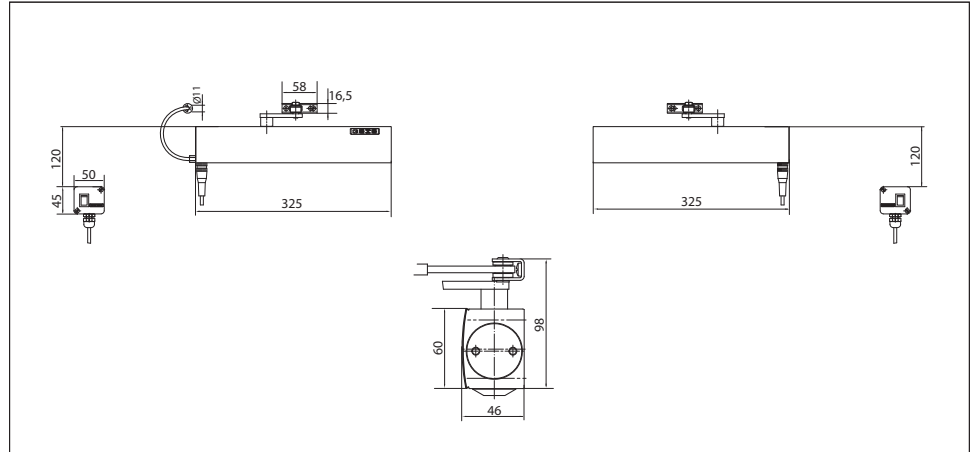
2) Surcharge for special RAL colours, see general information

## GEZE TS 4000 E-IS

**Link arm door closer system for double-leaf doors with a hinge clearance of up to 2800 mm featuring integrated closing sequence control and electric hold-open**

TS 4000 E-IS (24 V DC) overhead door closer system, featuring integrated hydraulic closing sequence control and electro-hydraulic hold-open, is approved for mounting on smoke and fire doors. The integrated closing sequence control, featuring protection against vandalism, ensures that both door leaves close in the correct order when used with double-leaf doors. When the door closes, the moving leaf remains in the waiting position until the fixed leaf is closed and until the moving leaf is released by the closing sequence control. The electro-hydraulic hold-open is infinitely variable between 80° and 175° in accordance with EN 1155. The size 1-6 closing force to EN 1154, with optical size indicator, and the closing speed can be adjusted from the front. The latching action is adjusted by means of the rod assembly.

### GEZE TS 4000 E-IS



### Application range

- For double-leaf doors, leaf width of up to 1400 mm
- Compatible with left-hand and right-hand doors without the need for conversion
- For fireproof doors (door closers with mounting plate)
- Standard mounting on door leaf, hinge side; transom mounting on opposite hinge side also possible

**Closer specifications**

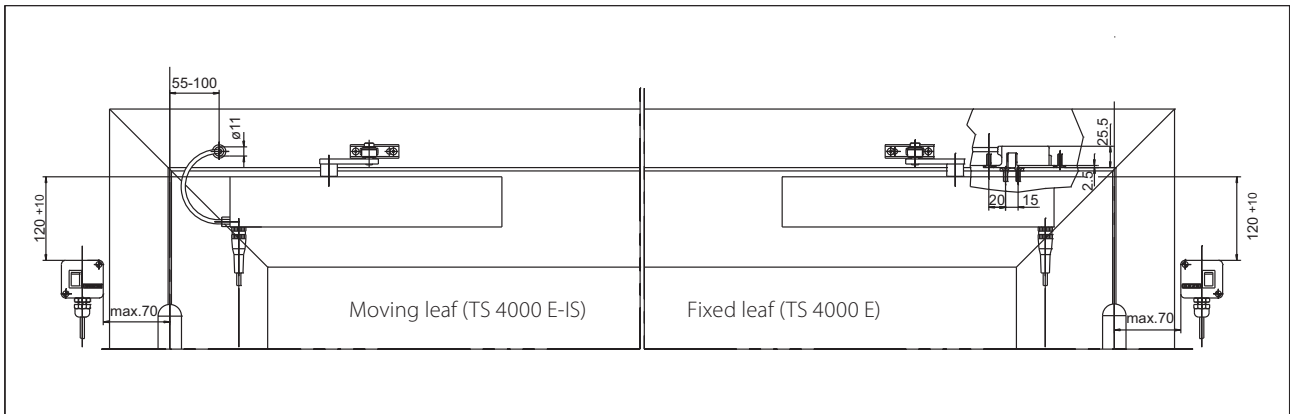
Product features	GEZE TS 4000 E-IS closer	GEZE TS 4000 E closer
Closing force to EN1154		1 - 6
Leaf width recommended up to		1400 mm
Identical version DIN-L and DIN-R	●	●
Supply voltage		24 V DC
Enclosure rating IP		IP 43
Product tested in acc. with	Door closer tested in acc. with EN1154 Hold-open mechanism tested in acc. with EN1155 Door closing sequence selector tested in acc. with EN1158	Door closer tested in acc. with EN1154 Hold-open mechanism tested in acc. with EN1155
Suitable for fireproof doors	●	●
Mounting plate with hole pattern acc. to EN1154 Supplement	●	●
Length		325 mm
Installation depth		46 mm
Height		60 mm
<b>Functions</b>		
Adjustable closing force		● Infinitely variable
Adjustable closing speed	●	●
Adjustable latching action		● Via link arm
Integrated back check		○
Closing force adjustment position		Front
Optical closing force display	●	●
Safety valve featuring protection against vandalism	●	●
Thermo-constant valves	●	●
Integrated closing sequence control	●	
Integrated hold-open mechanism		Electric
Hold-open mechanism can be overridden	●	●
Hold-open angle		80°-175°

● = yes

○ = no

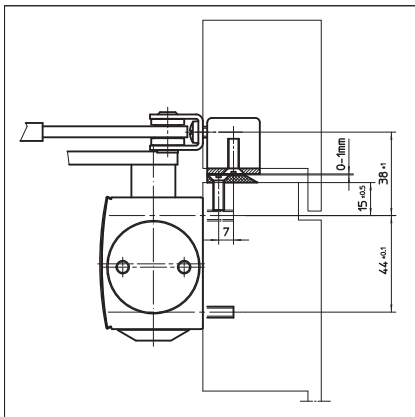
Door leaf mounting/hinge side TS 4000 E-IS

View

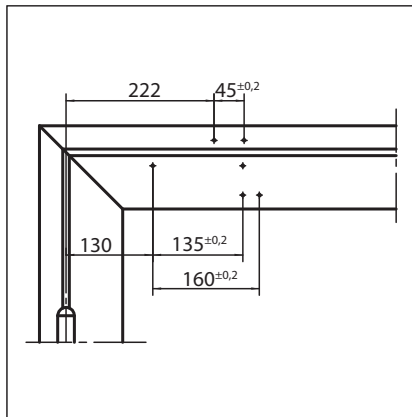


Mounting example for GEZE TS 4000 E-IS

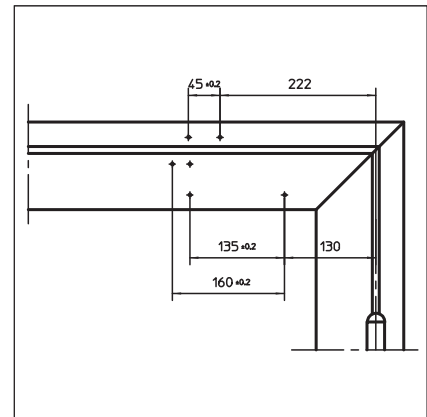
Direct mounting



Cross section = direct mounting

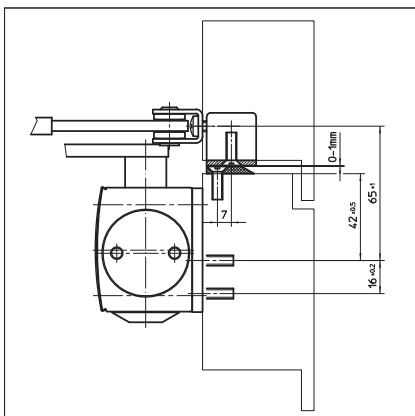


Fitting dimensions for left-hand door

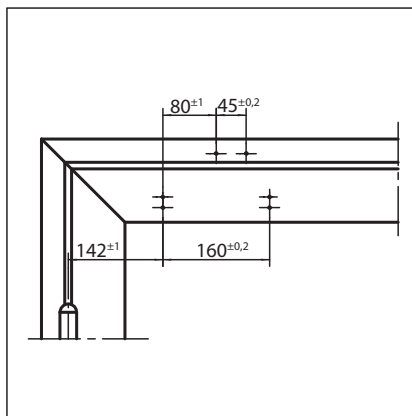


Fitting dimensions for right-hand door

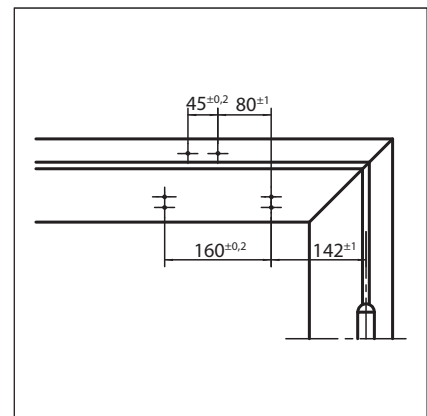
Mounting with mounting plate



Cross section = mounting with mounting plate



Fitting dimensions for left-hand door



Fitting dimensions for right-hand door





## GEZE TS 4000 E-IS - Ordering information

Designation	Version	ID no.	
GEZE TS 4000 E closer Size EN 1-6, door leaf installation on hinge side, featuring electric hold-open and connector box (without link arm)	Silver-coloured	105211	
	Acc. to RAL <sup>2)</sup>	105212	
GEZE TS 4000 E KM BG closer Size EN 1-6, transom mounting on opposite hinge side, featuring electric hold-open (without link arm)	Silver-coloured	105213	
	Acc. to RAL <sup>2)</sup>	105214	
GEZE TS 4000 E-IS closer Size EN 1-6, door leaf installation on hinge side, featuring electric hold-open, connector box, integrated closing sequence control and mounting plate (without release mechanism and link arm)	Silver-coloured	105237	
	Acc. to RAL <sup>2)</sup>	105238	
GEZE TS 4000 E-IS KM BG closer Size EN 1-6, transom mounting on opposite hinge side, featuring electric hold-open, integrated closing sequence control and mounting plate (without link arm and connector box)	Silver-coloured	105239	
	Acc. to RAL <sup>2)</sup>	105240	
Link arm TS 4000/2000 Extended, for transom mounting with a soffit depth of 70-170 mm	Silver-coloured	102431	
	Dark bronze	102432	
	White RAL 9016	102433	
	Acc. to RAL <sup>2)</sup>	102434	
Link arm TS 4000/2000 Standard	Silver-coloured	102421	
	Dark bronze	102422	
	White RAL 9016	102423	
	Stainless steel effect <sup>1)</sup>	102426	
	Acc. to RAL <sup>2)</sup>	102425	
<b>Installation material</b>			
Spindle extension for TS 4000/TS 2000 Crown type connection	10 mm	Galvanised	103548
	10 mm	Black	103677
	15 mm	Galvanised	103549
	15 mm	Black	103678
	20 mm	Galvanised	103550
	20 mm	Black	103679
Door closer drilling template For TS 5000/4000/3000/2000			053134
Link arm mounting plate For TS 4000/2000, with narrow rebates	Silver-coloured		057109
	Acc. to RAL <sup>2)</sup>		082506
Link arm mounting plate For TS 4000/2000, with parallel arm mounting	Silver-coloured		053318
	Dark bronze		053319
	Acc. to RAL <sup>2)</sup>		027460
Door closer mounting plate For TS 5000 EFS/RFS/EHY / 4000 E with hole pattern acc. to DIN EN	Silver-coloured		059107
	Acc. to RAL <sup>2)</sup>		100044

**Accessories**

Closing sequence control release mechanism For TS 4000 IS/E-IS/R-IS	No.1 hinge clearance 1200-1500 mm	058306
	No.2 hinge clearance 1500-1800 mm	058307
	No.3 hinge clearance 1800-2100 mm	058308
	No.4 hinge clearance 2100-2400 mm	058309
	No.5 hinge clearance 2400-2700 mm	058310
	No.6 hinge clearance in excess of 2700 mm	058311
GEZE smoke switch control unit RSZ 6 Approved for all GEZE hold-open mechanisms	Silver-coloured	099851
	Dark bronze	099857
	White RAL 9016	099858
	Stainless steel effect <sup>1)</sup>	099856
	Acc. to RAL <sup>2)</sup>	099859
GEZE smoke switch RS 5 For ceiling and lintel mounting	Silver-coloured	027052
	Dark bronze	028939
	White RAL 9016	028940
	Stainless steel effect <sup>1)</sup>	028942
	Acc. to RAL <sup>2)</sup>	028941
GEZE circuit breaker Concealed version, for manual release of electrically controlled door closers and retention magnets	Alpine white	116266
Surface-mounted socket Packaged		120503

1) Only suitable for dry rooms

2) Surcharge for special RAL colours, see general information

## GEZE TS 4000 R-IS

**Link arm door closer system for double-leaf doors with a hinge clearance of up to 2800 mm featuring integrated closing sequence control, electric hold-open and smoke switch control unit**

TS 4000 R-IS overhead door closer system, featuring integrated hydraulic closing sequence control, electro-hydraulic hold-open and integrated smoke switch control unit, is approved for mounting on smoke and fire doors. In the event of a fire, the smoke detector is activated and the door closes automatically. When used with double-leaf doors, the integrated closing sequence control ensures that both door leaves close in the correct order. When the door closes, the moving leaf remains in the waiting position until the fixed leaf is closed and until the moving leaf is released by the closing sequence control. The electro-hydraulic hold-open is infinitely variable between 80° and 175° in accordance with EN 1155.

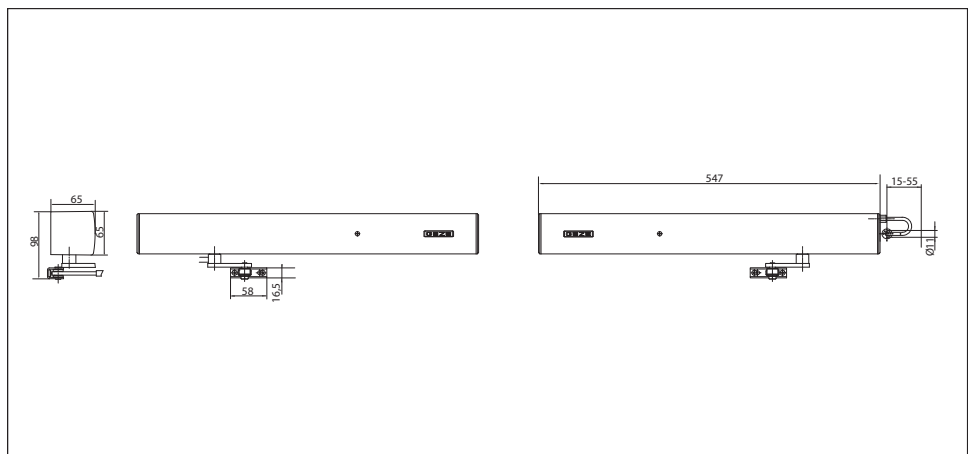
The size 1-6 closing force to EN 1154, with optical size indicator, and the closing speed can be adjusted from the front. The latching action is adjusted by means of the link arm. The product has been granted official building approval of a general nature by the DIBt (German Institute for Building Technology).

### Special version:

- GEZE door closer TS 4000 R-IS second unit

Second unit (similar to TS 4000 R-IS), without smoke switch and power supply unit for direct connection to GEZE TS 4000 R-IS, for an identical "look". The product has been tested in accordance with the EN 1154 and EN 1155 standards.

## GEZE TS 4000 R-IS



### Application range

- For double-leaf doors, leaf width of up to 1400 mm
- Compatible with left-hand and right-hand doors without the need for conversion
- For fireproof doors (door closers with mounting plate)
- Standard mounting involving transom mounting on opposite hinge side
- Transom mounting on hinge side possible with guide rail, closing force EN3, not approved for fireproof doors

## Closer specifications

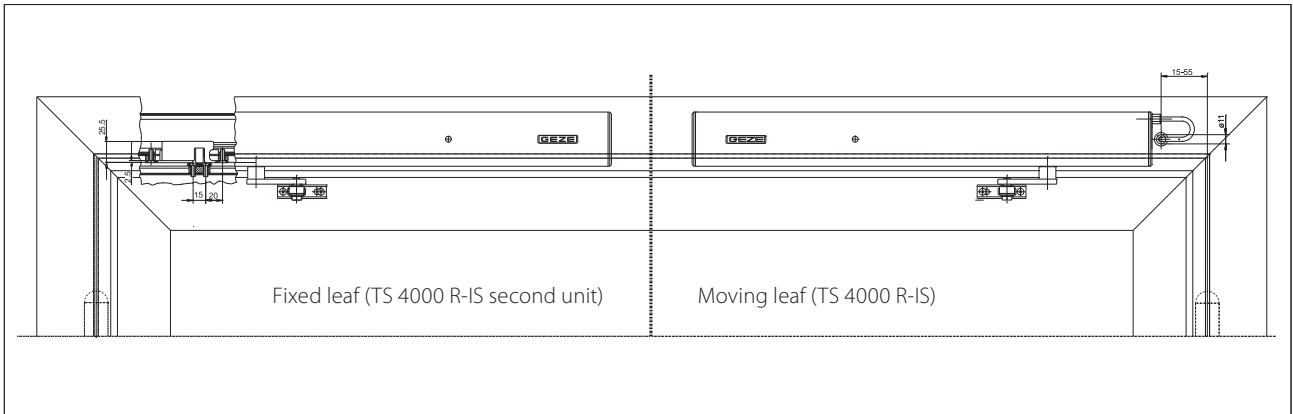
Product features	GEZE TS 4000 R-IS KM BG Closer	GEZE TS 4000 R-IS KM BG Closer second unit
Closing force to EN1154	1 - 6	
Leaf width recommended up to	1400 mm	
Identical version DIN-L and DIN-R	●	●
Supply voltage	230 V 50 Hz	24 V
Enclosure rating IP	IP 20	
Product tested in acc. with	Door closer tested in acc. with EN1154 Hold-open mechanism tested in acc. with EN1155 Door closing sequence selector tested in acc. with EN1158 Official building approval of a general nature from the DIBt (German Institute for Building Technology) for use as a hold-open system	Door closer tested in acc. with EN1154 Hold-open mechanism tested in acc. with EN1155
Suitable for fireproof doors	●	●
Mounting plate with hole pattern acc. to EN1154 Supplement	●	●
Length	547 mm	
Installation depth	65 mm	
Height	65 mm	
<b>Functions</b>		
Adjustable closing force	● Infinitely variable	
Adjustable closing speed	●	●
Adjustable latching action	● Via link arm	
Integrated back check	○	
Closing force adjustment position	Front	
Optical closing force display	●	●
Safety valve featuring protection against vandalism	●	●
Thermo-constant valves	●	●
Integrated closing sequence control	●	
Integrated hold-open mechanism	Electric	
Hold-open angle	80°-175°	
Hold-open mechanism can be overridden	●	●
Integrated smoke switch	●	
With visual status display	●	
With soiling indicator	●	
With adaption of the alarm threshold	●	
Integrated power supply unit	●	

● = yes

○ = no

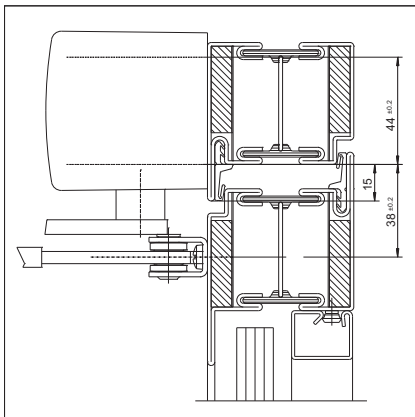
Transom mounting/opposite hinge side TS 4000 R-IS

View

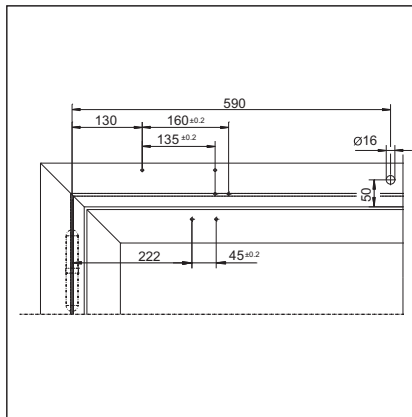


Mounting example for GEZE TS 4000 R-IS

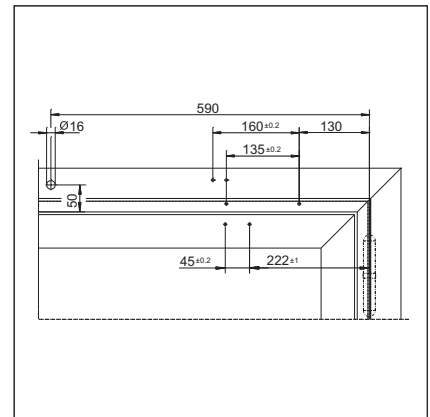
Direct mounting



Cross section = direct mounting

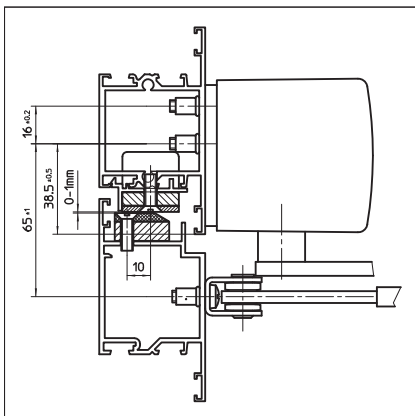


Fitting dimensions for right-hand door

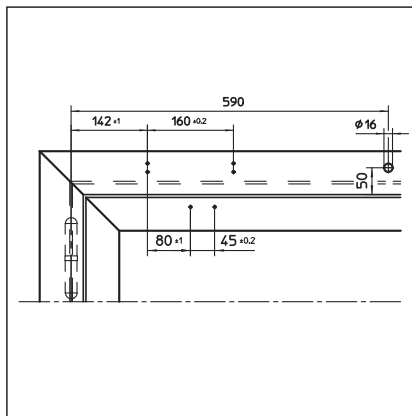


Fitting dimensions for left-hand door

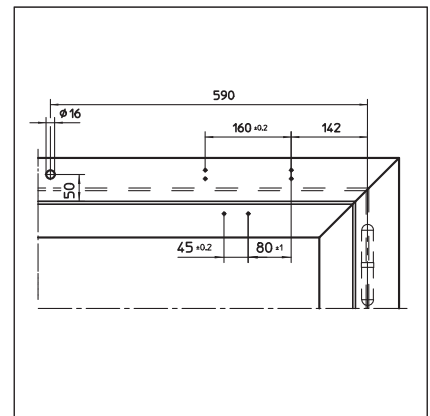
Mounting with mounting plate



Cross section = mounting with mounting plate

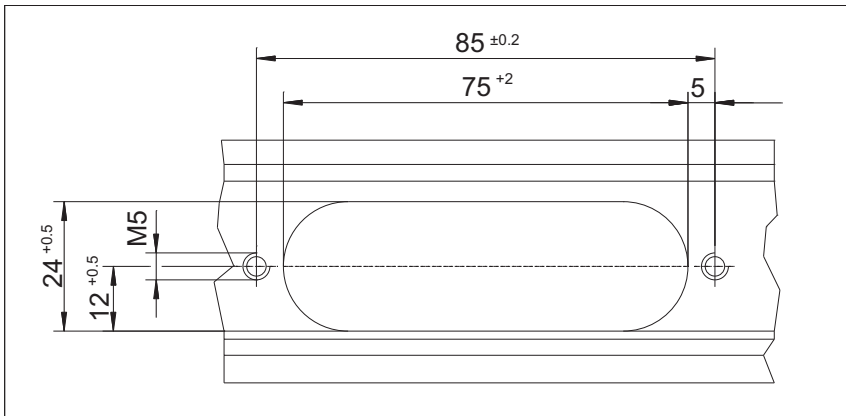


Fitting dimensions for right-hand door



Fitting dimensions for left-hand door

## Recess for release mechanism



## GEZE TS 4000 R-IS - Ordering information

Designation	Version	ID no.
GEZE TS 4000 R-IS KM BG closer	Silver-coloured	105244
Size EN 1-6, transom mounting on opposite hinge side, featuring integrated closing sequence control, electric hold-open and smoke switch control unit (without link arm and release mechanism)	Acc. to RAL <sup>2)</sup>	105245
GEZE TS 4000 R-IS KM BG closer second unit	Silver-coloured	105246
Size EN 1-6, transom mounting on opposite hinge side, featuring electric hold-open (without smoke switch control unit and link arm)	Acc. to RAL <sup>2)</sup>	105247
Link arm TS 4000/2000 Extended, for transom mounting with a soffit depth of 70-170 mm	Silver-coloured	102431
	Dark bronze	102432
	White RAL 9016	102433
	Acc. to RAL <sup>2)</sup>	102434
Link arm TS 4000/2000 Standard	Silver-coloured	102421
	Dark bronze	102422
	White RAL 9016	102423
	Stainless steel effect <sup>1)</sup>	102426
Acc. to RAL <sup>2)</sup>	102425	
<b>Installation material</b>		
Door closer mounting plate For TS 5000 RFS KM/4000 R & R-IS with hole pattern acc. to DIN EN 1154 Supplement 1	Black	058808
<b>Accessories</b>		
Closing sequence control release mechanism For TS 5000 IS/E-IS/R-IS	Nr.1 hinge clearance 1200-1500 mm	058306
	Nr.2 hinge clearance 1500-1800 mm	058307
	Nr.3 hinge clearance 1800-2100 mm	058308
	Nr.4 hinge clearance 2100-2400 mm	058309
	Nr.5 hinge clearance 2400-2700 mm	058310
	Nr.6 hinge clearance in excess of 2700 mm	058311
GEZE smoke switch RS 5 For ceiling and lintel mounting	Silver-coloured	027052
	Dark bronze	028939
	White RAL 9016	028940
	Stainless steel effect <sup>1)</sup>	028942
	Acc. to RAL <sup>2)</sup>	028941
GEZE circuit breaker Concealed version, for manual release of electrically controlled door closers and retention magnets	Alpine white	116266
Surface-mounted socket Packaged		120503

1) Only suitable for dry rooms

2) Surcharge for special RAL colours, see general information



## GEZE TS 4000 tandem

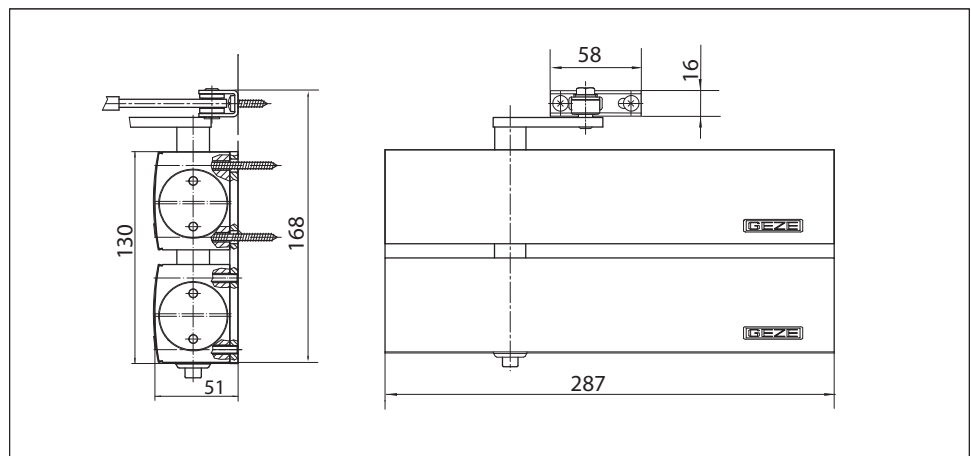
### Link arm door closer for single-leaf doors/gates with a leaf width in excess of 1600 mm or that are extremely heavy

Combination of a TS 4000 EN 5-7 and a TS 4000 EN 1-6 on an adapter plate with a shared spindle. Closing force > EN 7, for use with extremely large and heavy doors or gates. The individual products have been tested in accordance with the EN 1154 standard.

#### Special version:

- GEZE TS 4000 tandem wet room version  
Same as TS 4000 tandem, but with specially nickel-plated spindle and bearing shells, plus stainless steel screw accessories for aggressive environments.

## GEZE TS 4000 tandem



## Application range

- For single-action doors, leaf width > 1600 mm
- Compatible with left-hand and right-hand doors (conversion required)
- For fireproof doors (door closers with mounting plate)
- Standard mounting on door leaf, hinge side; transom mounting on opposite hinge side also possible
- Can be installed on door leaf on opposite hinge side with parallel arm mounting

**Closer specifications**

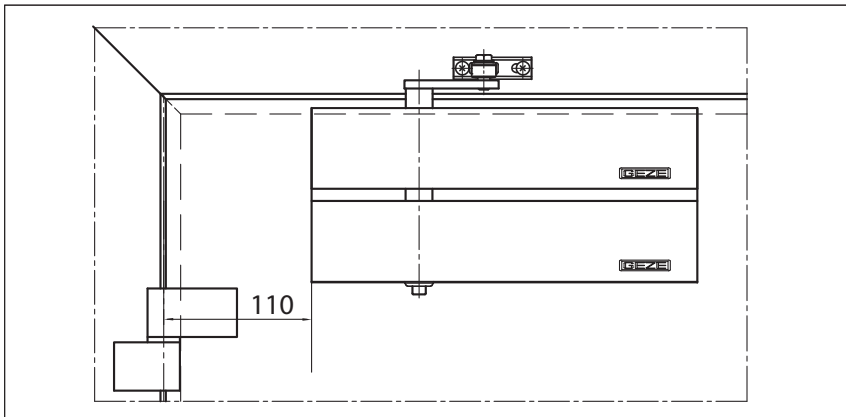
Product features	GEZE TS 4000 tandem complete pack
Identical version DIN-L and DIN-R	●
Product tested in acc. with	Door closer tested in acc. with EN1154
Suitable for fireproof doors	●
Mounting plate with hole pattern acc. to EN1154 Supplement	●
Length	287 mm
Installation depth	51 mm
Height	130 mm
<b>Functions</b>	
Adjustable closing force	● Infinitely variable
Adjustable closing speed	●
Adjustable latching action	● Via link arm
Integrated back check	● Hydraulically adjustable
Closing force adjustment position	Front
Optical closing force display	●
Safety valve featuring protection against vandalism	●
Thermo-constant valves	●

● = yes

○ = no

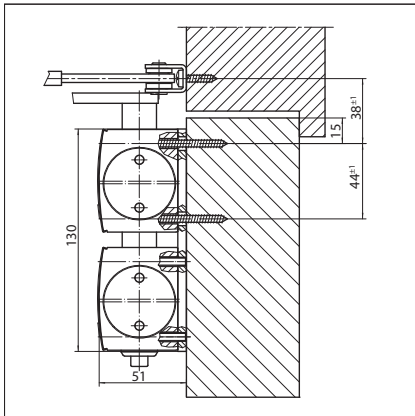
Door leaf mounting/hinge side TS 4000 tandem

View

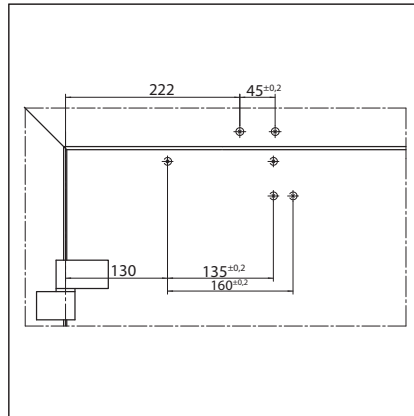


Mounting example for GEZE TS 4000 tandem

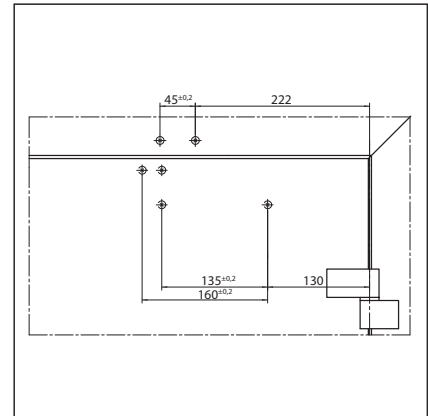
Direct mounting



Cross section = direct mounting

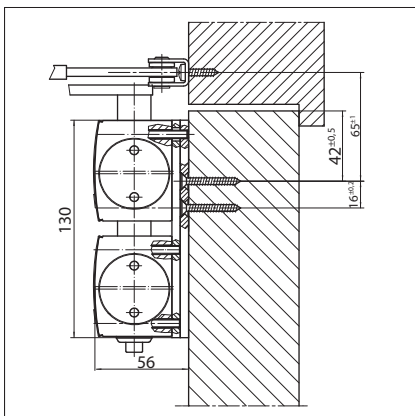


Fitting dimensions for left-hand door

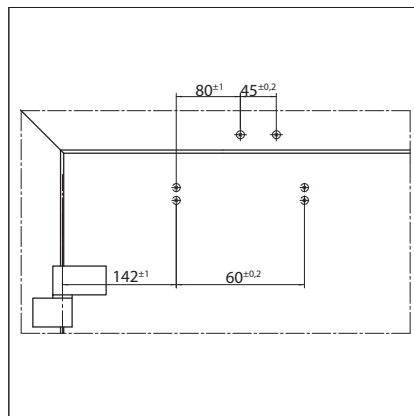


Fitting dimensions for right-hand door

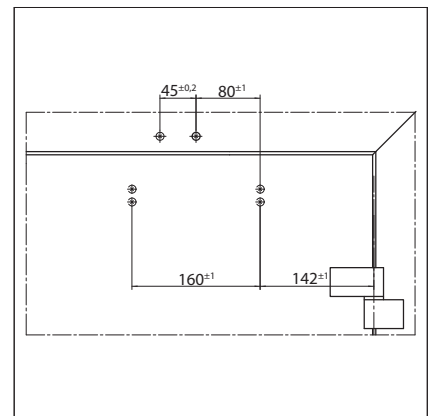
Mounting with mounting plate



Cross section = mounting with mounting plate



Fitting dimensions for left-hand door



Fitting dimensions for right-hand door

**GEZE TS 4000 tandem - Ordering information**

Designation	Version	ID no.
GEZE TS 4000 tandem complete pack With back check, featuring standard link arm	Silver-coloured	102841
	Acc. to RAL <sup>1)</sup>	116186
Link arm TS 4000/2000 Extended, for transom mounting with a soffit depth of 70-170 mm	Silver-coloured	102431
	Dark bronze	102432
	White RAL 9016	102433
	Acc. to RAL <sup>1)</sup>	102434
GEZE TS 4000 tandem wet room version complete pack With back check, special protection against corrosion with stainless steel screw accessories and standard link arm	Silver-coloured	120105
<b>Installation material</b>		
Spindle extension for TS 4000/TS 2000 Crown type connection	10 mm Galvanised	103548
	10 mm Black	103677
	15 mm Galvanised	103549
	15 mm Black	103678
	20 mm Galvanised	103550
	20 mm Black	103679
Door closer drilling template For TS 5000/4000/3000/2000		053134
Link arm mounting plate For TS 4000/2000, with narrow rebates	Silver-coloured	057109
	Acc. to RAL <sup>1)</sup>	082506
Link arm mounting plate For TS 4000/2000, with parallel arm mounting	Silver-coloured	053318
	Dark bronze	053319
	Acc. to RAL <sup>1)</sup>	027460
Door closer mounting plate For TS 4000 tandem with hole pattern acc. to DIN EN 1154 Supplement 1	Silver-coloured	105119
	Acc. to RAL <sup>1)</sup>	116189

<sup>1)</sup> Surcharge for special RAL colours, see general information

## Cover caps for GEZE door closers

The following cover caps are available for the TS 2000 and TS 4000 overhead door closers:

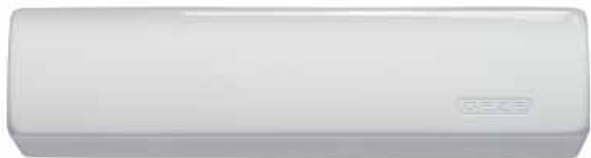
- Silver-coloured



- Dark bronze



- White RAL 9016



- Polished brass



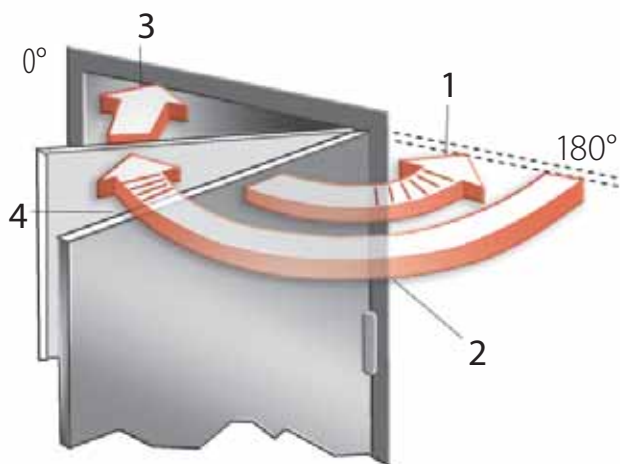
- Stainless steel



Other RAL colours are available on request.

**General product functions and information**

**GEZE door closers with link arm**



**1) Back check**

When doors are pushed open forcefully by approximately 90°, this function is activated in order to slow them down. However, it must not be used as a substitute for separate measures designed to limit the opening angle (such as a door stopper or other structural method), e.g. in the case of doors that open outwards or are liable to blow in the wind.

**2) Closing speed**

The speed at which a door closes can be set on an individual basis.

**3) Latching action**

When the door is just a few degrees away from reaching the closed position, this function increases the door speed in order to overcome any closing resistance (e.g. in the form of air resistance).

**4) Delayed closing action**

This function reduces the closing speed of a door or stops the door so that people have enough time to get through it.

**GEZE door closers with adjustable closing force:**

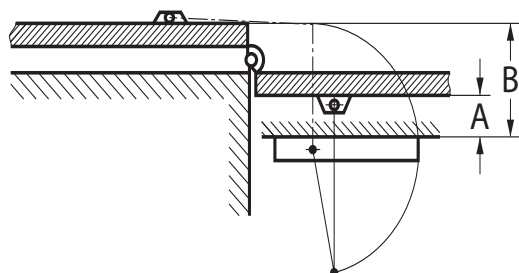
The relevant standards stipulate that the door closer size (closing force of the closer) must be selected in accordance with the door leaf width.

Where necessitated by the structural (door height, door weight) or local conditions (wind), the next size up must be set.

The GEZE TS 4000, TS 2000 and related versions offer several door closer sizes in one housing. The desired size can be selected by means of an adjustment screw or by altering the mounting position. The TS 4000 features an indicator so you can see which size is currently selected.

Door closer size acc. to EN standard	Door leaf width (mm)
Strength 1	up to 750
Strength 2	over 751 up to 850
Strength 3	over 851 up to 950
Strength 4	over 951 up to 1100
Strength 5	over 1101 up to 1250
Strength 6	over 1251 up to 1400
Strength 7	over 1401 up to 1600

**Specially designed for mounting on opposite hinge side**



Dimension A = soffit depth  
 Dimension B = soffit depth +2 door thickness  
 +2 pivot point distance

If a door is to be opened 180°, dimension A = 70 mm and dimension B = 200 mm must not be exceeded.

## Product information for door closers

Due to the liability the manufacturer has for its products under the German product liability law (§ 4 Prod-HaftG), the following information regarding door closers for swing doors must be observed. Non-compliance discharges the manufacturer from its liability.

### 1) Product information and use as intended

Within this context, door closers are to be defined as products for closing swing doors after they have been opened manually. The closing action is dampened using a hydraulically adjustable feature. The level of closing force required for specific leaf widths is defined in EN 1154. In the case of non-standard applications, the details provided by the manufacturer are to be regarded as definitive. Door closers are used on internal swing doors made from metal, timber or plastic and combinations thereof. When used on fireproof doors, smoke and fire doors or other standardised self-closing doors, they are subject to strict requirements in terms of the type of installation and their position. Any deviation from these requirements constitutes improper use.

Proper use of door closers (use as intended) relies on doors being installed perpendicular and their being able to move smoothly; it is also dependent on the door closers being properly secured. The products must be installed and adjusted professionally in accordance with the manufacturer's specifications.

Where local conditions are particularly unfavourable (wind), door closers with higher torques must be used.

It is particularly important to use door closers with a back check function on swing doors that are exposed to wind when opening outwards.

The back check function helps protect people, door elements, plus nearby walls and objects, without restricting the door opening angle. If the structural conditions of the door are such that there is a risk of the door leaf hitting the frame in the vicinity of the door's axis of rotation, a buffer must be installed to limit the door's maximum opening angle. If swing doors are to be fixed in the open position, this may only be achieved using special additional fittings or integrated constructional elements. When used with fireproof doors or smoke and fire doors, the devices must be officially approved by the German Institute for Building Technology (door suitability certificates must be heeded).

Door closers are not suitable for installation on swing doors in the case of unprotected exterior mounting or for installation in environments where the air contains aggressive, corrosive substances or in extremely high or low temperatures.

Following installation, enclosures for floor-mounted door closers must be protected against soiling. If floor-mounted door closers are exposed to penetrating water (e.g. wet rooms or external doors with no protection from the rain), the area between the cement box and the door closer cover must be sealed with a suitable sealing compound.

Compliance with mandatory statutory provisions must be ensured, where applicable, before door closers (including any additional devices) are installed and commissioned.

### 2) Misuse

Misuse (i.e. improper use of door closer products for swing doors) includes, in particular:

- The presence of obstacles in the closing area, scraping doors, sticking seals, wooden wedges, etc. that hinder the door's closing action
- Incorrect or improper mounting and/or adjustment
- Reaching into the area between the door frame and leaf (risk of injury)
- If the warranted properties are likely to trigger proper functioning, e.g. in the event of storms or unusual levels of overpressure or underpressure acting on the door

- If door closers are used for any purpose other than closing doors
- If the selected door closer size does not tally with the manufacturer's recommendations

### 3) Product performance

Where catalogues, brochures, manuals, etc. do not contain specific details of product performance, special requirements must be discussed and agreed with the manufacturer.

The EN 1154 standards serve as a guideline. These standards stipulate the vast majority of basic and additional requirements. Amongst other things, the usability of door closers depends on how often they are operated, how they are operated, environmental influences and how they are cared for. Door closers must be replaced as soon as the door's closing action can no longer be guaranteed to be fault-free and reliable.

### 4) Product maintenance

Safety-related components of door closers must be checked regularly for tightness and signs of wear (depending on what the requirements are). Fixing screws must be re-tightened and defective components replaced. In addition, the following maintenance work must be carried out at least once a year (depending on the swing door type and extent of use):

- Grease all moving parts on the link arm
- In the case of door closers with special functions (hold-open mechanisms and hold-open devices), ensure compliance with statutory inspections, monitoring requirements and suggested maintenance intervals
- Check the closer settings, e.g. the closing speed
- Check that the door is able to move easily

Do not use any cleaning agents that contain corrosive or damaging ingredients.

### 5) Duties to inform and instruct

The following resources are available to help planners, specialist suppliers, installers, builders and users fulfil their duties of information and instruction:

- Catalogues, brochures, leaflets,
- Specification texts and bidding documents
- Attachment instructions, installation drawings, operating instructions, standards
- Advice from field staff

To ensure correct use of door closers on swing doors, guarantee their function and make sure they are maintained and cared for appropriately:

- Architects and planners are advised to order and observe the necessary product information
- Specialist suppliers are advised to observe the product information and advice in the price lists and, in particular, to order all relevant instructions, which are to be passed on to the installer
- Installers are advised to observe all the product information and to pass it on to the client and user

**GEZE GmbH**  
**P.O. Box 1363**  
**71226 Leonberg**  
**Germany**

GEZE Service GmbH NL Südwest  
 Reinhold-Vöster-Straße 25  
 71229 Leonberg  
 Tel. +49 (0) 7152-92 33 34

**GEZE GmbH**  
**Reinhold-Vöster-Straße 21-29**  
**71229 Leonberg**  
**Germany**  
**Telefon +49 (0) 7152-203-0**  
**Telefax +49 (0) 7152-203-310**

GEZE Service GmbH NL Nord-Ost  
 Bühringstraße 8  
 13086 Berlin (Weissensee)  
 Tel. +49 (0) 30-47 02 17 32

**www.geze.com**

**Germany**  
 GEZE Sonderkonstruktionen GmbH  
 Planken 1  
 97944 Boxberg-Schweigern  
 Tel. +49 (0) 7930-9294-0  
 Fax +49 (0) 7930-9294-10  
 E-Mail: sk.de@geze.com

GEZE Service GmbH NL West  
 Nordsternstraße 65  
 45329 Essen  
 Tel. +49 (0) 201-8 30 82 16

GEZE Service GmbH NL Mitte  
 Feldbergstrasse 59  
 61440 Oberursel  
 Tel. +49 (0) 6171-63 61 03

GEZE GmbH  
 Niederlassung Nord/Ost  
 Bühringstraße 8  
 13086 Berlin (Weissensee)  
 Tel. +49 (0) 30-47 89 90-0  
 Fax +49 (0) 30-47 89 90-17  
 E-Mail: berlin.de@geze.com

GEZE Service GmbH NL Süd  
 Keltnering 10  
 85658 Eggening  
 Tel. +49 (0) 8095-87 13 61

**Austria**  
 GEZE Austria GmbH  
 Mayrwiesstraße 12  
 5300 Hallwang b. Salzburg  
 Tel. +43-(0)662-663142  
 Fax +43-(0)662-663142-15  
 E-Mail: austria.at@geze.com

GEZE GmbH  
 Niederlassung West  
 Nordsternstraße 65  
 45329 Essen  
 Tel. +49 (0) 201-83082-0  
 Fax +49 (0) 201-83082-20  
 E-Mail: essen.de@geze.com

**Baltic States**  
 GEZE GmbH Baltic States office  
 Dzelzavas iela 120 S  
 1021 Riga  
 Tel. +371 (0) 67 89 60 35  
 Fax +371 (0) 67 89 60 36  
 E-Mail: office-latvia@geze.com

GEZE GmbH  
 Niederlassung Mitte  
 Adenauerallee 2  
 61440 Oberursel (b. Frankfurt)  
 Tel. +49 (0) 6171-63610-0  
 Fax +49 (0) 6171-63610-1  
 E-Mail: frankfurt.de@geze.com

**Benelux**  
 GEZE Benelux B.V.  
 Leemkuil 1  
 Industrieterrein Kapelbeemd  
 5626 EA Eindhoven  
 Tel. +31-(0)40-26290-80  
 Fax +31-(0)40-26 290-85  
 E-Mail: benelux.nl@geze.com

GEZE GmbH  
 Niederlassung Süd  
 Reinhold-Vöster-Straße 21-29  
 71229 Leonberg  
 Tel. +49 (0) 7152-203-594  
 Fax +49 (0) 7152-203-438  
 E-Mail: leonberg.de@geze.com

**Bulgaria**  
 GEZE Bulgaria - Trade  
 Representative Office  
 61 Pirinski Prohod, entrance „B“,  
 4th floor, office 5,  
 1680 Sofia  
 Tel. +359 (0) 24 70 43 73  
 Fax +359 (0) 24 70 62 62  
 E-Mail: office-bulgaria@geze.com

**China**  
 GEZE Industries (Tianjin) Co., Ltd.  
 Shuangchenzhong Road  
 Beichen Economic Development  
 Area (BEDA)  
 Tianjin 300400, P.R. China  
 Tel. +86(0)22-26973995-0  
 Fax +86(0)22-26972702  
 E-Mail: Sales-info@geze.com.cn

GEZE Industries (Tianjin) Co., Ltd.  
 Branch Office Shanghai  
 Unit 25N, Cross Region Plaza  
 No 899, Ling Ling Road,  
 XuHui District  
 200030 Shanghai, P.R. China  
 Tel. +86 (0)21-523 40 960  
 Fax +86 (0)21-644 72 007  
 E-Mail: chinasales@geze.com.cn

GEZE Industries (Tianjin) Co., Ltd.  
 Branch Office Guangzhou  
 Room 17C3  
 Everbright Bank Building, No.689  
 Tian He Bei Road  
 510630 Guangzhou  
 P.R. China  
 Tel. +86(0)20-38731842  
 Fax +86(0)20-38731834  
 E-Mail: chinasales@geze.com.cn

GEZE Industries (Tianjin) Co., Ltd  
 Branch Office Beijing  
 Room 1001, Tower D  
 Sanlitun SOHO  
 No. 8, Gongti North Road,  
 Chaoyang District  
 100027 Beijing, P.R.China  
 Tel: +86 (0)10-5935 9300  
 Fax: +86 (0)10-5935 9322  
 E-Mail: chinasales@geze.com.cn

**France**  
 GEZE France S.A.R.L.  
 ZAC de l'Orme Rond  
 RN 19  
 77170 Servon  
 Tel. +33-(0)1-606260-70  
 Fax +33-(0)1-606260-71  
 E-Mail: france.fr@geze.com

**Hungary**  
 GEZE Hungary Kft.  
 Bartók Béla út 105-113.  
 Budapest  
 H-1115  
 Tel. +36 (1) 481 4670  
 Fax +36 (1) 481 4671  
 E-Mail: office-hungary@geze.com

**Iberia**  
 GEZE Iberia S.R.L.  
 Pol. Ind. El Pla  
 C/Comerc, 2-22, Nave 12  
 08980 Sant Feliu de Llobregat  
 (Barcelona)  
 Tel. +34(0)9-02194036  
 Fax +34(0)9-02194035  
 E-Mail: info@geze.es

**India**  
 GEZE India Private Ltd.  
 MF 2 & 3, Guindy Industrial Estate  
 Ekkattuthangal  
 Chennai 600 097  
 Tamilnadu  
 Tel. +91 44 3061 6900  
 Fax +91 44 3061 6901  
 E-Mail: office-india@geze.com

**Italy**  
 GEZE Italia Srl  
 Via Giotto, 4  
 20040 Cambiago (MI)  
 Tel. +3902950695-11  
 Fax +3902950695-33  
 E-Mail: italia.it@geze.com

GEZE Engineering Roma Srl  
 Via Lucrezia Romana, 91  
 00178 Roma  
 Tel. +3906-7265311  
 Fax +3906-72653136  
 E-Mail: roma@geze.biz

**Poland**  
 GEZE Polska Sp.z o.o.  
 ul. Annapol 21  
 03-236 Warszawa  
 Tel. +48 (0)22 440 4 440  
 Fax +48 (0)22 440 4 400  
 E-Mail: geze.pl@geze.com

**Romania**  
 GEZE Romania s.r.l.  
 IRIDE Business Park,  
 Str. Dimitrie Pompeiu nr. 9-9a,  
 Building 10, Level 2, Sector 2,  
 020335 Bucharest  
 Tel.: +40 (0) 21 25 07 750  
 Fax: +40 (0) 21 25 07 750  
 E-Mail: office-romania@geze.com

**Russian Federation**  
 GEZE GmbH Representative  
 Office Russia  
 Kolodesnij pereulok3, str. 25  
 Office Nr. 5201-5203  
 107076 Moskau  
 Tel. +7 (0) 49 55 89 90 52  
 Fax +7 (0) 49 55 89 90 51  
 E-Mail: office-russia@geze.com

**Scandinavia – Sweden**  
 GEZE Scandinavia AB  
 Mallslingan 10  
 Box 7060  
 18711 Täby, Sweden  
 Tel. +46(0)8-7323-400  
 Fax +46(0)8-7323-499  
 E-Mail: sverige.se@geze.com

**Scandinavia – Norway**  
 GEZE Scandinavia AB avd. Norge  
 Industriveien 34 B  
 2073 Dal  
 Tel. +47(0)639-57200  
 Fax +47(0)639-57173  
 E-Mail: norge.se@geze.com

**Scandinavia – Finland**  
 Branch office of GEZE Scandinavia AB  
 Herralantie 824  
 Postbox 20  
 15871 Hollola  
 Tel. +358(0)10-4005100  
 Fax +358(0)10-4005120  
 E-Mail: finland.se@geze.com

**Scandinavia – Denmark**  
 GEZE Danmark  
 Branch office of GEZE Scandinavia AB  
 Høje Taastrup Boulevard 53  
 2630 Taastrup  
 Tel. +45(0)46-323324  
 Fax +45(0)46-323326  
 E-Mail: danmark.se@geze.com

**South Africa**  
 DCLSA Distributors (Pty.) Ltd.  
 118 Richards Drive, Halfway House,  
 Ext 111  
 P.O. Box 7934, Midrand 1685  
 Tel. +27(0)113158286  
 Fax +27(0)113158261  
 E-Mail: info@dclsa.co.za

**Switzerland**  
 GEZE Schweiz AG  
 Bodenackerstrasse 79  
 4657 Dulliken  
 Tel. +41-(0)62-2855400  
 Fax +41-(0)62-2855401  
 E-Mail: schweiz.ch@geze.com

**Turkey**  
 GEZE GmbH Türkiye - İstanbul  
 İrtibat Bürosu  
 Ataşehir Bulvarı, Ata 2/3  
 Plaza Kat: 9 D: 84 Ataşehir  
 Kadıköy / İstanbul  
 Tel. + 90 (0) 21 64 55 43 15  
 Fax + 90 (0) 21 64 55 82 15  
 E-Mail: office-turkey@geze.com

**Ukraine**  
 Repräsentanz GEZE GmbH Ukraine  
 ul. Vikentija Hvoyki, 21,  
 office 151  
 04080 Kiev  
 Tel. +38 (0) 44 49 97 725  
 Fax +38 (0) 44 49 97 725  
 E-Mail: office-ukraine@geze.com

**United Arab Emirates/GCC**  
 GEZE Middle East  
 P.O. Box 17903  
 Jebel Ali Free Zone  
 Dubai  
 Tel. +971(0)4-8833112  
 Fax +971(0)4-8833240  
 E-Mail: geze@emirates.net.ae

**United Kingdom**  
 GEZE UK Ltd.  
 Blenheim Way  
 Fradley Park  
 Lichfield  
 Staffordshire WS13 8SY  
 Tel. +44(0)1543443000  
 Fax +44(0)1543443001  
 E-Mail: info.uk@geze.com

GEZE REPRESENTATIVE